

M-D Pneumatics™
PD PLUS®

High Pressure Industrial Blowers

Model 3200 Heavy Duty

Bi-directional Rotation

17 Series - Horizontal Air Flow

46 Series - Vertical Air Flow

57 Series - Horizontal Flow, Single Envelope Gas Service

81 Series - Vertical Flow, Single Envelope Gas Service

64 Series - Horizontal Flow, Double Envelope Gas Service

67 Series - Vertical Flow, Double Envelope Gas Service

Model 3200 PD PLUS heavy duty industrial blowers are designed for high performance applications, up to 15 PSI pressure or 17" Hg dry vacuum (24" Hg water injected).

17/46 Series

This series has wide application in pneumatic conveying, wastewater treatment, and the general process industry where high pressure, high volume air is required. Seal areas are vented to atmosphere to relieve process pressure against the internal lip seals, and to provide oil-free air.

57/81 Series (Single Envelope Gas Service)

This series is utilized in such applications as closed loop pneumatic conveying, process gas handling, or elevated pressure applications up to 100 PSIG discharge. Vent openings are tapped and plugged to prevent gas leakage. These fittings can also accept an inert gas purge for positive containment of the process gas.

64/67 Series (Double Envelope Gas Service)

This series is built to laboratory standards where virtually complete sealing is required. In addition to the features shown on the 57/81 series, the drive shaft is mechanically sealed and the oil sumps are plugged to provide an even higher degree of leakage protection.

Optional Cooling Coils:

All vertical flow 3200 PD PLUS models are available with cooling coils to provide cooling of lubricating oil with less than 0.5 GPM cooling water for high performance applications. Specify "W" suffix.



Model Size	Max. Press. PSI	Max. Vac. (in. Hg)	Nom. Min. RPM at Max. Disch. Pressure	Nom. Max. RPM at Max. Disch. Pressure	Displ. CFR
3202	15	15	3100	3600	.026
3204	15	15	2900	3600	.042
3206	15	15	2750	3600	.063
3210	15	15	2650	3600	.105

Material Specifications:

Housing: Cast iron

End Plates: Cast iron

End Covers: Gear end - Cast iron
 Free end - Cast iron

Rotors: Ductile iron

Shafts: Ductile iron cast integrally with rotor

Bearings: Gear end - Double row ball
 Free end - Single row ball
 Drive shaft - Double row ball

Drive Shaft: Ductile iron

Gears: Alloy steel, helical cut

Seals: 17/46 series - Lip and labyrinth type on rotor shafts; lip seal on the drive shaft; less than 25 PSIG.

57/81 series - Mechanical and labyrinth type on rotor shafts; lip seal on the drive shaft; less than 25 PSIG

64/67 series - Same as 57/81 series plus mechanical sealing on the drive shaft; greater than 25 PSIG*

Lubrication: Oil splash system, both ends

* Blowers operating with a discharge pressure above 25 PSIG require hydrostatic testing and special high pressure seal leakage testing.



All PD Plus blowers are factory tested to meet ISO 9001 registered quality standards.

Rotors are dynamically balanced to meet ISO1940 Grade 6.3 specifications.

Performance Tables

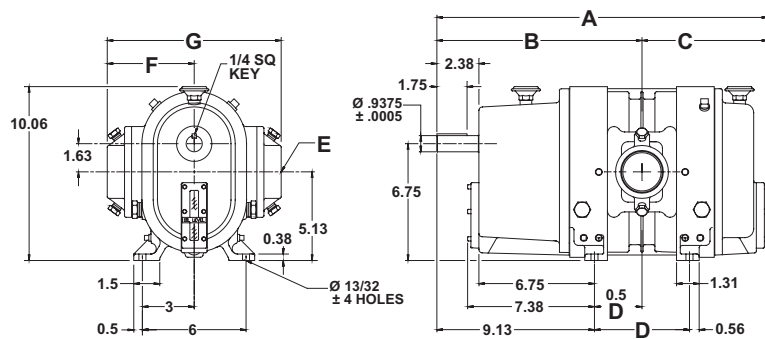
In conjunction with our program of continuous testing and design upgrading, all specifications are subject to change without notice. All data are approximate. Request a quotation for your specific application.

Pressure (14.70 PSIA and 70° F Inlet)

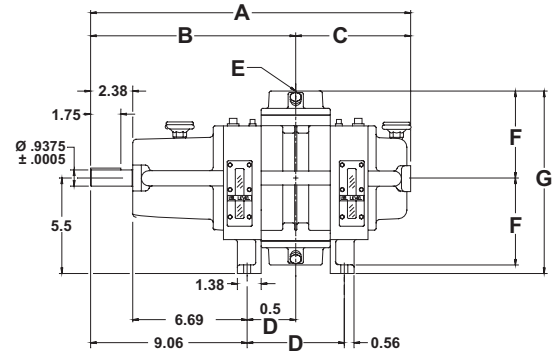
BLOWER MODEL	SPEED (RPM)	2 PSIG		5 PSIG		8 PSIG		10 PSIG		12 PSIG		14 PSIG		15 PSIG		Max. Vacuum		
		CFM	BHP	CFM	BHP	CFM	BHP	CFM	BHP	CFM	BHP	CFM	BHP	CFM	BHP	" Hg	CFM	BHP
3202	1150	17	0.9	8	1.3											8	7	1.2
	1750	34	1.4	25	2.0	18	2.7									11	17	2.1
	2950	67	2.4	58	3.4	52	4.5	48	5.2	45	6.0					14	43	4.1
	3600	85	2.9	76	4.2	70	5.5	66	6.4	63	7.3	60	8.2	59	8.6	15	59	5.2
3204	1150	29	1.1	16	1.8											8	14	1.5
	1750	56	1.7	43	2.7	33	3.7									11	31	2.8
	2950	110	2.8	97	4.5	87	6.3	82	7.4	77	8.6	72	9.7			14	75	5.6
	3600	139	3.4	126	5.5	116	7.7	111	9.1	106	11	101	12	99	13	15	100	7.2
3206	1150	45	1.3	26	2.3											9	20	2.1
	1750	86	2.0	67	3.5	53	5.1	46	6.1							12	46	4.0
	2950	167	3.4	148	6.0	134	8.6	127	10	120	12	113	14			15	111	8.0
	3600	211	4.1	192	7.3	178	11	170	13	163	15	157	17	154	18	15	155	9.8
3210	1150	80	1.8	51	3.4											9	42	3.1
	1750	147	2.7	118	5.2	98	7.8	86	9.5							12	87	6.0
	2950	281	4.5	253	8.8	232	13	221	16	210	19	200	22	196	23	15	197	12
	3600	354	5.5	326	11	305	16	293	20	283	23	273	27	269	28	15	270	15

Dimensions

Series 17/57 (Horizontal Flow)



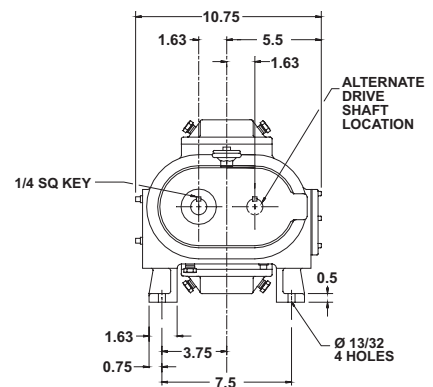
Series 46/81 (Vertical Flow)



MODEL	SERIES	A	B	C	D	E	F	G	Net Wgt. (lbs.)*
3202	17/57	17.63		6.5	4	1.5" NPT	4	8	120
	46/81	17	11.13	5.88	4.13			9.5	
3204	17/57	19.13		7.25	5.5	2" NPT	5	10	140
	46/81	18.5	11.88	6.63	5.63			10.5	
3206	17/57	21.13		8.25	7.5	2.5" NPT	5	10	155
	46/81	20.5	12.88	7.63	7.63			10.5	
3210	17/57	25.13		10.25	11.5	3" NPT	6.5	11	220
	46/81	24.5	14.88	9.63	11.63			11	

Values are approximate and should not be used for construction. Certain dimensions for 64/67 double envelope gas-service differ slightly from those shown above. Certified prints are available through your local Tuthill Vacuum & Blower Systems Sales Professional.

*Approximate shipping weight.



Your Local Tuthill Vacuum & Blower Systems Sales Professional:

Provac Sales, Inc.
2535 7th Avenue Suite 4
Santa Cruz, CA 95062
Phone: 831-462-8900
www.provac.com



Tuthill Vacuum & Blower Systems
4840 West Kearney Street
Springfield, Missouri USA 65803-8702
o 417.865.8715 800.825.6937 f 417.865.2950
tuthillvacuumblower.com

