



# MD Pneumatics PD Plus 3200

## Technical Specifications

MODEL	MAXIMUM RPM	MAXIMUM PRESSURE DIFFERENTIAL	MAXIMUM VACUUM	MAXIMUM TEMPERATURE RISE	MAWP
3202	3600	15 psi (1,035 mbar)	15 inch-Hg (508 mbar)	280°F (156°C)	100 psi (6.9 bar)
3204		15 psi (1,035 mbar)	15 inch-Hg (508 mbar)	280°F (156°C)	
3206		15 psi (1,035 mbar)	15 inch-Hg (508 mbar)	280°F (156°C)	
3210		15 psi (1,035 mbar)	15 inch-Hg (508 mbar)	280°F (156°C)	

BLOWER MODEL	SPEED (RPM)	2 PSIG		5 PSIG		8 PSIG		10 PSIG		12 PSIG		14 PSIG		15 PSIG		Max. Vacuum		
		CFM	BHP	CFM	BHP	CFM	BHP	CFM	BHP	CFM	BHP	CFM	BHP	CFM	BHP	" Hg	CFM	BHP
3202	1150	17	0.9	8	1.3											8	7	1.2
	1750	34	1.4	25	2.0	18	2.7									11	17	2.1
	2950	67	2.4	58	3.4	52	4.5	48	5.2	45	6.0					14	43	4.1
	3600	85	2.9	76	4.2	70	5.5	66	6.4	63	7.3	60	8.2	59	8.6	15	59	5.2
3204	1150	29	1.1	16	1.8											8	14	1.5
	1750	56	1.7	43	2.7	33	3.7									11	31	2.8
	2950	110	2.8	97	4.5	87	6.3	82	7.4	77	8.6	72	9.7			14	75	5.6
	3600	139	3.4	126	5.5	116	7.7	111	9.1	106	11	101	12	99	13	15	100	7.2
3206	1150	45	1.3	26	2.3											9	20	2.1
	1750	86	2.0	67	3.5	53	5.1	46	6.1							12	46	4.0
	2950	167	3.4	148	6.0	134	8.6	127	10	120	12	113	14			15	111	8.0
	3600	211	4.1	192	7.3	178	11	170	13	163	15	157	17	154	18	15	155	9.8
3210	1150	80	1.8	51	3.4											9	42	3.1
	1750	147	2.7	118	5.2	98	7.8	86	9.5							12	87	6.0
	2950	281	4.5	253	8.8	232	13	221	16	210	19	200	22	196	23	15	197	12
	3600	354	5.5	326	11	305	16	293	20	283	23	273	27	269	28	15	270	15





# PROVAC

## SALES

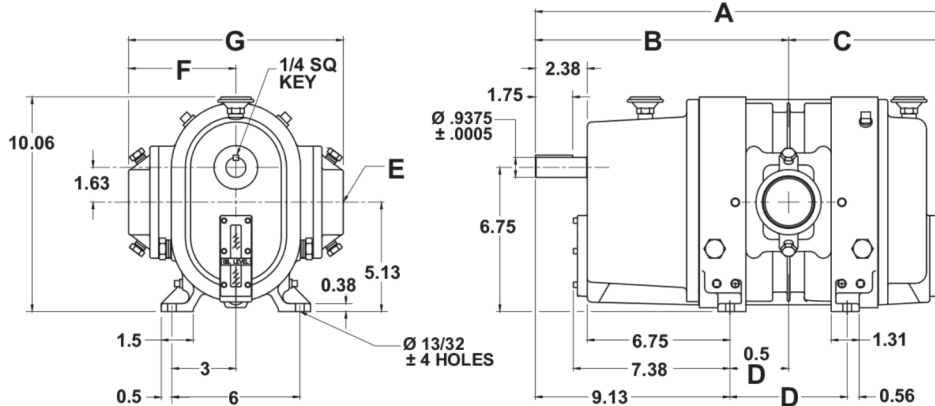
PHONE: 831-462-8900

FAX: 831-462-3536

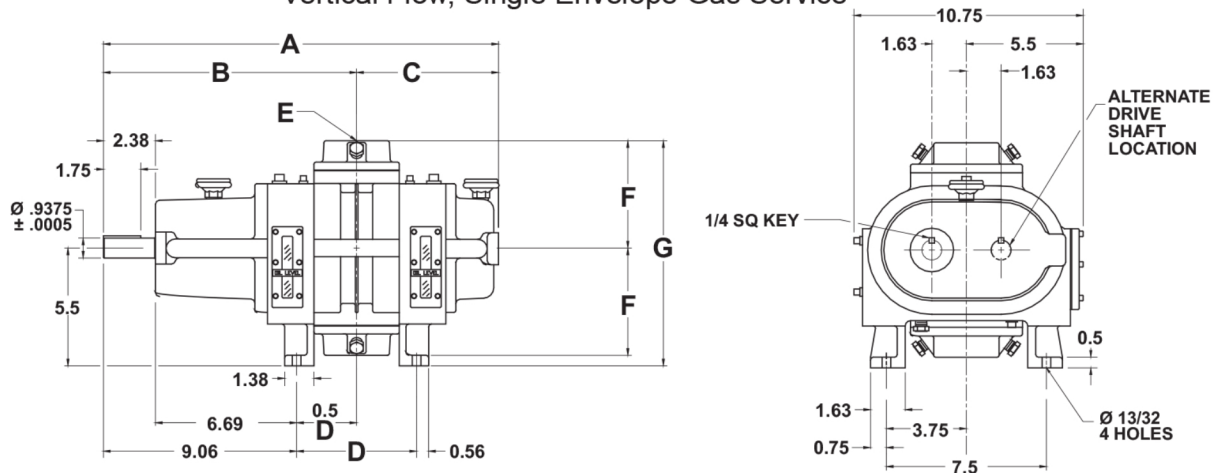
WWW.PROVAC.COM

# MD Pneumatics PD Plus 3200

## Dimensions Horizontal Flow, Single Envelope Gas Service



## Vertical Flow, Single Envelope Gas Service



MODEL	SERIES	A	B	C	D	E	F	G	Net Wgt. (lbs.)*
3202	17/57	17.63	11.13	6.5	4	1.5" NPT	4	8	120
	46/81	17		5.88	4.13			9.5	
3204	17/57	19.13	11.88	7.25	5.5	2" NPT	5	10	140
	46/81	18.5		6.63	5.63			10.5	
3206	17/57	21.13	12.88	8.25	7.5	2.5" NPT	5	10	155
	46/81	20.5		7.63	7.63			10.5	
3210	17/57	25.13	14.88	10.25	11.5	3" NPT	6.5	11	220
	46/81	24.5		9.63	11.63			11	

Values are approximate and should not be used for construction.

Certain dimensions for double envelope gas-service differ slightly from those shown above.

Certified prints are available through your local Tuthill Vacuum & Blower Systems Sales Professional.

\*Approximate shipping weight.



# PROVAC

## SALES

PHONE: 831-462-8900

FAX: 831-462-3536

WWW.PROVAC.COM

---

## MD Pneumatics PD Plus 3200

### Features & Benefits

- 19 series - horizontal air flow
- 86 series - vertical air flow
- 55 series - horizontal flow, single envelope gas service
- 82 series - vertical flow, single envelope gas service
- 66 series - horizontal flow, double envelope gas service
- 69 series - vertical flow, double envelope gas service
- cast iron housing, end plates & end covers
- ductile iron rotors & shafts
- designed for high performance applications

### Applications

- solvent distillation/vapor recovery • pneumatic conveying • mobile vacuum waste removal • pulp/paper processing • fluid bed combustion • digester gas processing • pressure boosting
- fluidization/agitation of dense powders • oil-free handling fuel
- utility or process gases • laser recirculation systems • closed loop pneumatic conveying • steam compression • process gas boosting