



MD Pneumatics PD Plus 1200

Technical Specifications

MODEL	MAXIMUM RPM	MAX PRESSURE DIFFERENTIAL psi / mbar	MAX VACUUM in. Hg / mbar	MAXIMUM TEMPERATURE RISE °F / °C	MAWP psi / bar	APPROX WEIGHT LBS. / KG
1215	1800	15 / 1034	15 / 507	280 / 155	100 / 6.8	4200 / 1905
1224	1800	15 / 1034	15 / 507	280 / 155	100 / 6.8	4900 / 2222
1230	1800	14 / 965	15 / 507	280 / 155	100 / 6.8	5400 / 2449
1236	1800	9 / 620	12 / 406	230 / 127	100 / 6.8	5900 / 2676
1248	1400	6 / 413	10 / 338	190 / 105	100 / 6.8	6850 / 3107

Pressure (14.70 PSIA and 70° F Inlet)

BLOWER MODEL	SPEED (RPM)	2 PSIG		6 PSIG		9 PSIG		10 PSIG		12 PSIG		14 PSIG		15 PSIG		Max. Vacuum		
		CFM	BHP	CFM	BHP	CFM	BHP	CFM	BHP	CFM	BHP	CFM	BHP	CFM	BHP	In. Hg	CFM	BHP
1215	600	1025	15	806	38	689	56	655	61	1916	146	1857	169	1829	181	12	661	38
	1200	2351	30	2131	77	2015	111	1980	123	3242	219	3183	254	3155	271	15	1836	93
	1800	3676	46	3457	115	3340	167	3306	184	6544	427	6432	496			15	3161	139
1224	600	1661	22	1324	59	1145	87	1092	96							13	1027	63
	1200	3781	44	3444	118	3265	174	3213	192	3115	229	3024	266	2982	285	15	2991	144
	1800	5901	66	5565	177	5385	261	5333	288	5235	344	5145	399	5102	427	15	5111	215
1230	600	2076	27	1655	73	1431	108	1365	119							13	1284	78
	1200	4727	54	4306	146	4082	215	4016	238	3894	285	3781	331	3727	354	15	3739	178
	1800	7378	80	6957	219	6733	323	6667	358	6544	427	6432	496			15	6390	267
1236	600	2506	31	2012	87	1749	129									12	1685	85
	1200	5686	63	5193	174	4930	257									12	4866	171
	1800	8867	94	8373	261	8111	385									12	8046	256
1248	600	3361	41	2717	115											10	2552	94
	1200	7602	81	6958	229											10	4524	189
	1400	9016	95	8372	267											10	8206	220

Shaded areas indicate operation requiring soft starting of motor. Direct or jackshaft drive is required above 250 HP. Applications in shaded areas must be factory approved.





PROVAC

SALES

PHONE: 831-462-8900

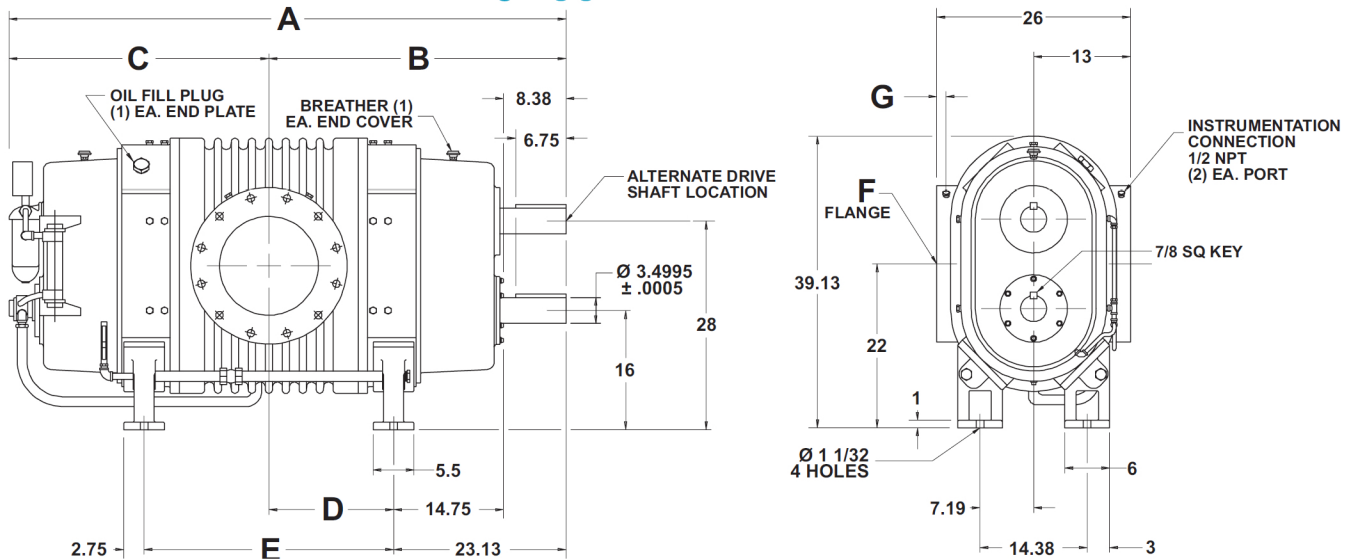
FAX: 831-462-3536

WWW.PROVAC.COM

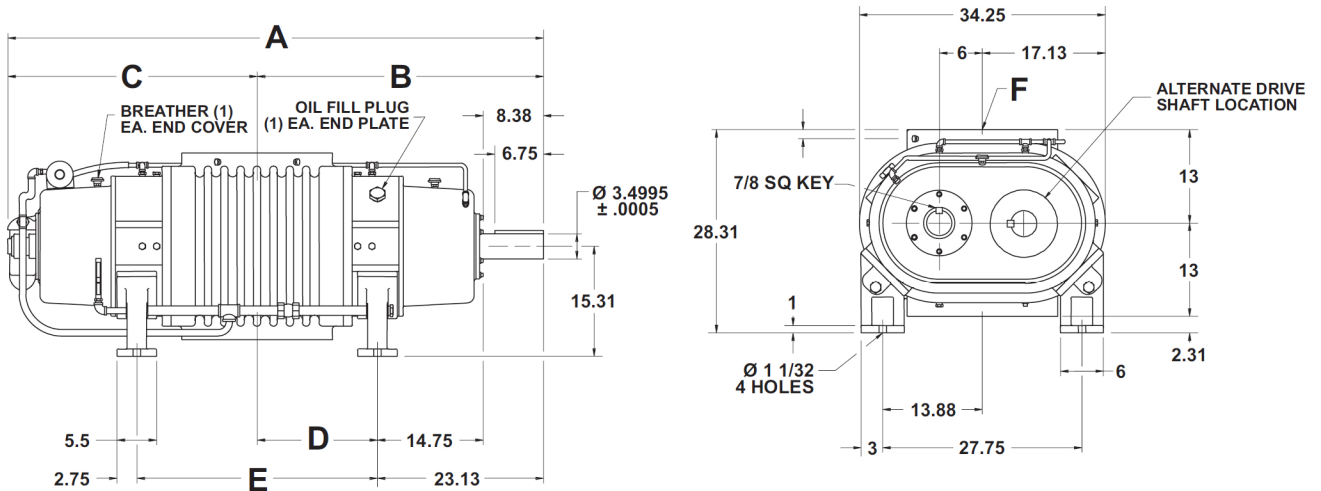
MD Pneumatics PD Plus 1200

Dimensions

series 19/55 - horizontal flow



series 82/86 - vertical flow



MODEL	A	B	C	D	E	F	Net Wgt. (lbs.)*
1215	65.75	35.38	30.38	12.25	24.5	2" FLG	4200
1224	74.75	39.88	34.88	16.75	33.5	14" FLG	4900
1230	80.75	42.88	37.88	19.75	39.5	14" FLG	5400
1236	86.75	45.88	40.88	22.75	45.5	18" FLG	5900
1248	98.75	51.88	46.88	28.75	57.5	20" FLG	6850

Values are approximate and should not be used for construction.

Certain dimensions for 66/69 series may slightly differ from dimensions shown.

Certified prints are available through your local Tuthill Vacuum & Blower Systems Sales Professional.

*Approximate shipping weight.

PROVAC SALES, INC. 3131 SOQUEL DRIVE, SOQUEL CA 95073



PROVAC

SALES

PHONE: 831-462-8900

FAX: 831-462-3536

WWW.PROVAC.COM

MD Pneumatics PD Plus 1200

Features & Benefits

- 19 series - horizontal air flow
- 86 series - vertical air flow
- 55 series - horizontal flow, single envelope gas service
- 82 series - vertical flow, single envelope gas service
- 66 series - horizontal flow, double envelope gas service
- 69 series - vertical flow, double envelope gas service
- cast iron housing, end plates & end covers
- ductile iron rotors & shafts
- designed for high performance applications

Applications

- solvent distillation/vapor recovery • pneumatic conveying • mobile vacuum waste removal • pulp/paper processing • fluid bed combustion • digester gas processing • pressure boosting
- fluidization/agitation of dense powders • oil-free handling fuel
- utility or process gases • laser recirculation systems • closed loop pneumatic conveying • steam compression • process gas boosting