



# Vacuubrand PC 8 / RC 6

## Technical Specifications

	Unit	PC 8 / RC 6
Number of stages		2 + 2
Max. pumping speed at 50/60 Hz	m <sup>3</sup> /h	5.9 / 6.9
Max. pumping speed at 50/60 Hz	cfm	3.5 / 4.1
Ultimate partial vacuum (abs.)	mbar	4 x 10 <sup>-4</sup>
Ultimate vacuum (abs.)	mbar/torr	2 x 10 <sup>-3</sup> / 1.5 x 10 <sup>-3</sup>
Ultim. vac. (abs.) with gas ballast	mbar/torr	1 x 10 <sup>-2</sup> / 0.75 x 10 <sup>-2</sup>
Water vapor tolerance with gas ballast	mbar	>> 40 mbar
Ambient temperature range (operation)	°C	12 - 40
Ambient temperature range (storage)	°C	-10 - 60
Oil capacity (B-Oil) min./max.	l	0.34 / 0.53
Max. back pressure (abs.)	bar	1.1
Inlet connection		Small flange KF DN 16
Outlet connection		Hose nozzle DN 8-10 mm
Coolant connection		2 x hose nozzle DN 6-8 mm
Rated motor power	kW	0.37
Rated motor speed at 50/60 Hz	min <sup>-1</sup>	1500/1800
Degree of protection		IP 40
Dimensions (L x W x H)	mm	507 x 377 x 429
Weight	kg	31.2



# PROVAC

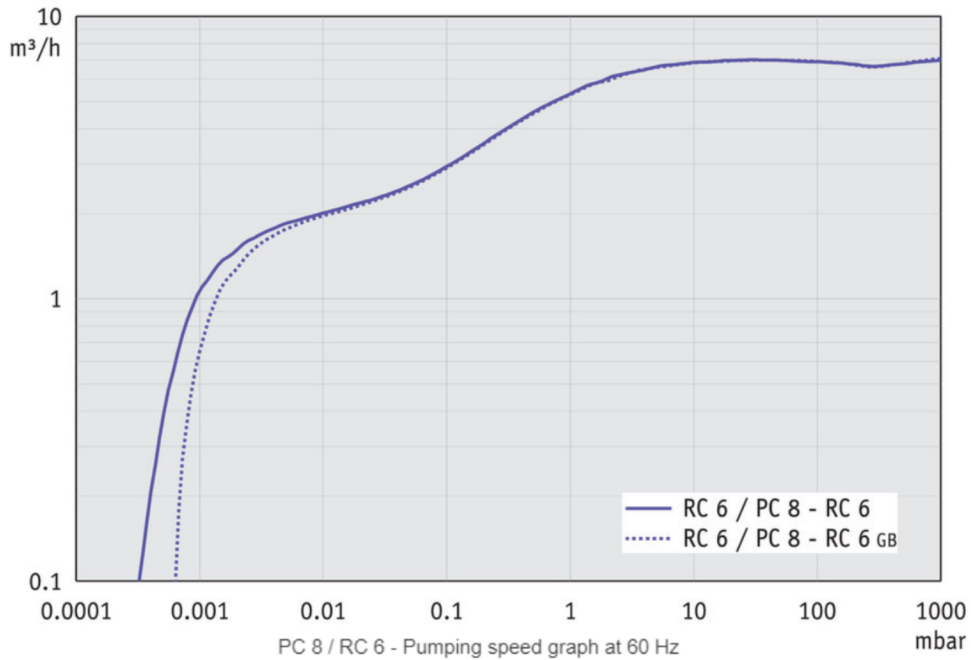
## SALES

PHONE: 831-462-8900

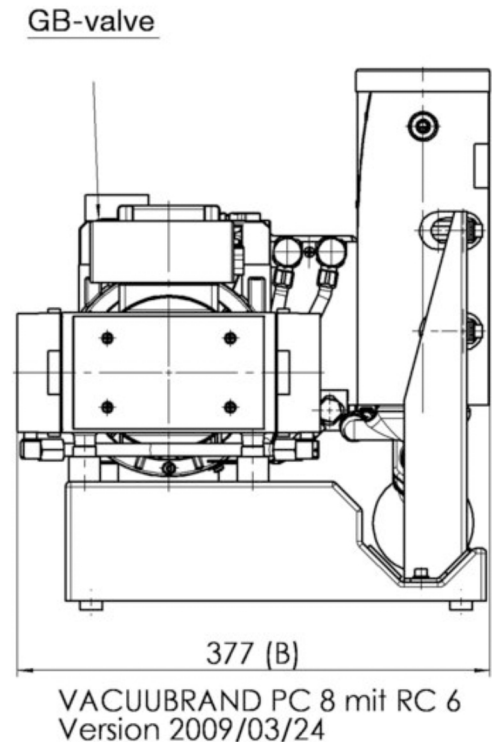
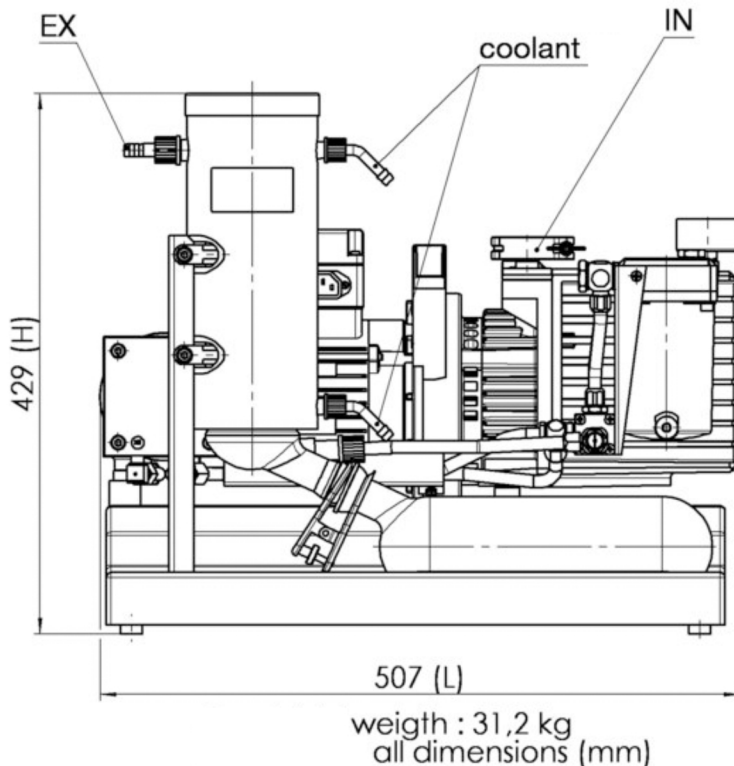
FAX: 831-462-3536

WWW.PROVAC.COM

## Vacuubrand PC 8 / RC 6 Pumping Curves



## Dimensions





# PROVAC

## SALES

PHONE: 831-462-8900

FAX: 831-462-3536

WWW.PROVAC.COM

## Vacuubrand PC 8 / RC 6

### Features & Benefits

- combines advantages of chemistry diaphragm pump & the ultimate vacuum of a 2-stage rotary vane pump
- anti-corrosion design
- high solvent vapor pumping capability & resistant to aggressive gases
- oil mist filter with pressure relief valve
- vacuum monitor for operating vacuum inside the oil case
- electronic startup motor
- highest mechanical & chemical stability
- drastically reduced amount of waste oil
- environmentally friendly due to efficient solvent recovery
- whisper-quiet operation
- easy to maintain
- low life cycle costs

### Applications

- freeze drying • distillation • drying ovens • rotary evaporators
- concentrators

