



Vacuubrand PC 3 / RZ 2.5

Technical Specifications

	Unit	PC 3 / RZ 2.5
Number of stages		2
Max. pumping speed at 50/60 Hz	m ³ /h	2.3 / 2.8
Max. pumping speed at 50/60 Hz	cfm	1.4 / 1.6
Ultimate partial vacuum (abs.)	mbar	4 x 10 ⁻⁴
Ultimate vacuum (abs.)	mbar/torr	2 x 10 ⁻³ / 1.5 x 10 ⁻³
Ultim. vac. (abs.) with gas ballast	mbar/torr	1 x 10 ⁻² / 0.75 x 10 ⁻²
Water vapor tolerance with gas ballast	mbar	40
Ambient temperature range (operation)	°C	12 - 40
Ambient temperature range (storage)	°C	-10 - 60
Oil capacity (B-Oil) min./max.	l	0.1 / 0.25
Max. back pressure (abs.)	bar	1.1
Inlet connection		NS 29/32 female ground joint
Outlet connection		Hose nozzle DN 8-10 mm
Rated motor power	kW	0.18
Rated motor speed at 50/60 Hz	min-1	1500/1800
Protection class		IP 40
Dimensions (L x W x H)	mm	342 x 448 x 608
Weight	kg	19.4
Noise level at 50 Hz, typ.	dBA	43
Items supplied		Pumping unit with oil filled rotary vane pump, oil mist filter FO, cold trap, T-piece and isolation valve VS 16 completely mounted, ready for use, with manual
Accessories		Stainless steel tubing KF DN 16 (1000 mm: 20673336) Stainless steel tubing KF DN 25 (1000 mm: 20673337) KF DN 25 with male ground joint NS 29/32 (20662705) Package fine vacuum control KF DN 16 (20700100 or 20700101) Rubber vacuum tubing DN 8 mm (20686001)



PROVAC

SALES

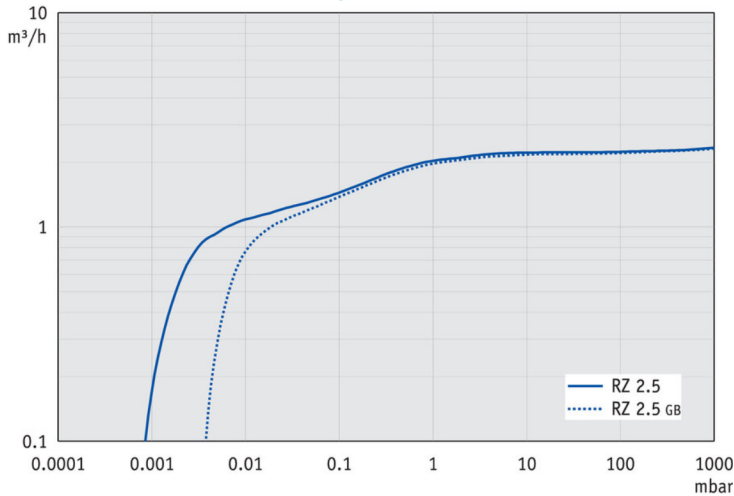
PHONE: 831-462-8900

FAX: 831-462-3536

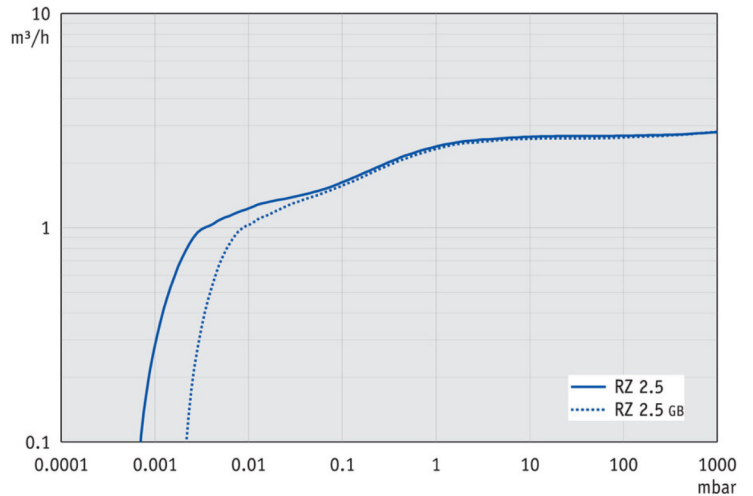
WWW.PROVAC.COM

Vacuubrand PC 3 / RZ 2.5 Pumping Curves

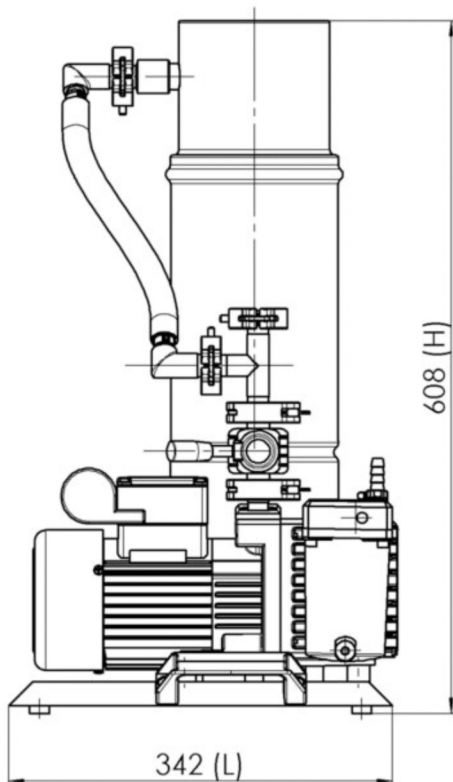
50Hz



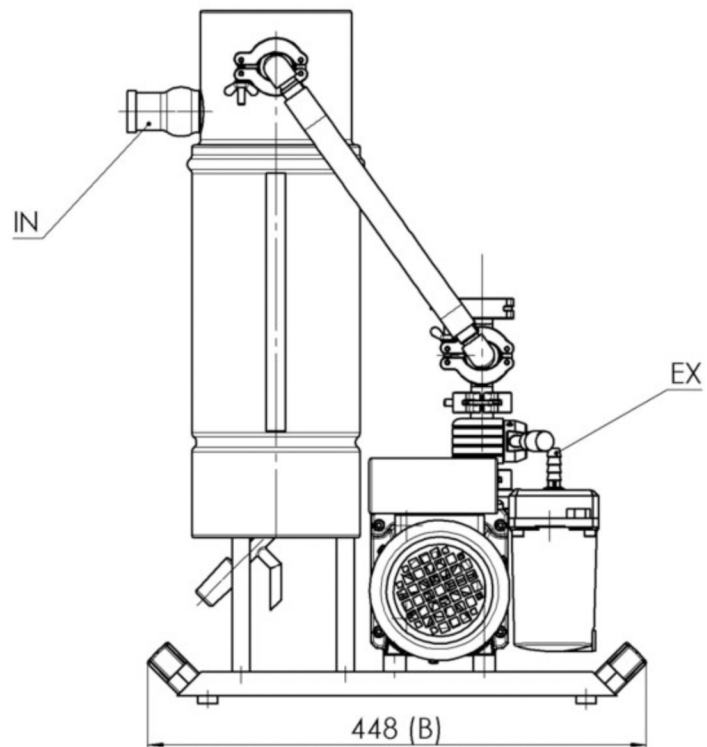
60Hz



Dimensions



Gewicht / weight : 19,4 kg
Alle Maße / all dimensions (mm)



VACUUBRAND PC 3 mit RZ 2.5
Version 2013/06/25



PROVAC

SALES

PHONE: 831-462-8900

FAX: 831-462-3536

WWW.PROVAC.COM

Vacuubrand PC 3 / RZ 2.5

Features & Benefits

- compact, user friendly, well arranged
- oil mist filter at the outlet
- ideal solution for wide range of lab & process applications
- high flow rates, even at levels approaching ultimate vacuum
- high water vapor tolerance due to efficient gas ballast
- very good ultimate vacuum, even with gas ballast
- vacuum-tight at switch-off; extrnal anti suckback valve not needed
- large oil volume; long intervals between oil changes
- ease of maintenance due to telescopic design

Applications

- drying chambers • lyophilization • drying with minimal residues
- forevacuum for turbo pumps

