



Vacuubrand PC 3012 NT Vario

Technical Specifications

	Unit	PC 3012 NT VARIO
Vacuum controller		CVC 3000
Number of heads / stages		8 / 3
Max. pumping speed	m ³ /h	14.3
Max. pumping speed	cfm	8.4
Ultimate vacuum (abs.)	mbar/torr	1.5 / 1.1
Ultim. vac. (abs.) with gas ballast	mbar/torr	3 / 2.2
Ambient temperature range (operation)	°C	10 - 40
Ambient temperature range (storage)	°C	-10 - 60
Max. back pressure (abs.)	bar	1.1
Inlet connection		Small flange KF DN 25 / hose nozzle DN 15 mm
Outlet connection		Hose nozzle DN 8-10 mm
Coolant connection		2 x hose nozzle DN 6-8 mm
Rated motor power	kW	0.53
Motor speed range	min-1	30 - 2400
Rated speed	min-1	1500/1800
Degree of protection		IP 40
Dimensions (L x W x H)	mm	616 x 387 x 420
Weight	kg	29.7
Noise level at 50 Hz, typ.	dBA	47
ATEX conformity (only 230V)		II 3/- G IIC T3 X Internal Atm. only
Items supplied		Pumping unit completely mounted, ready for use, with manual.



PROVAC

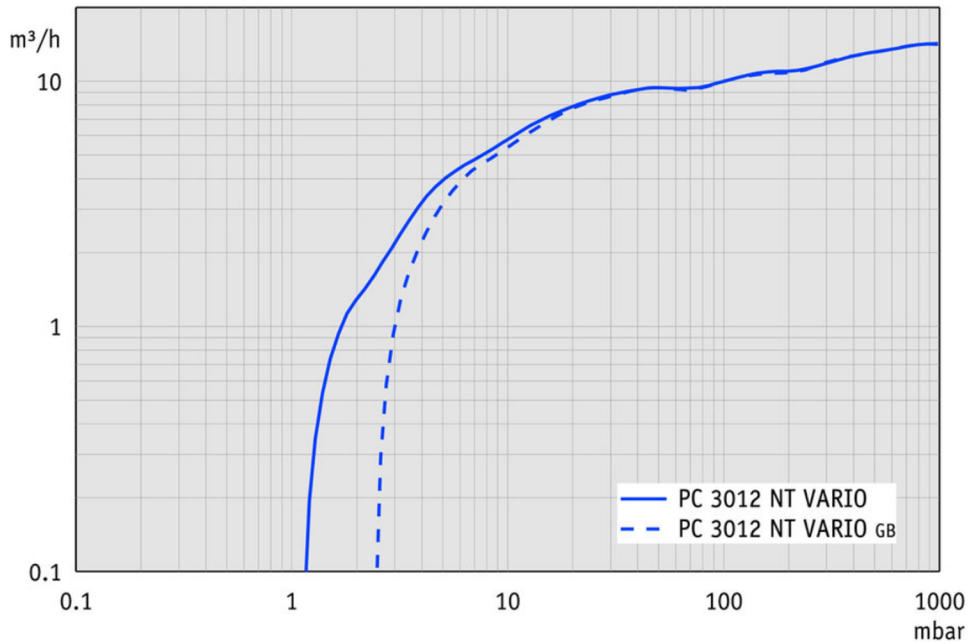
SALES

PHONE: 831-462-8900

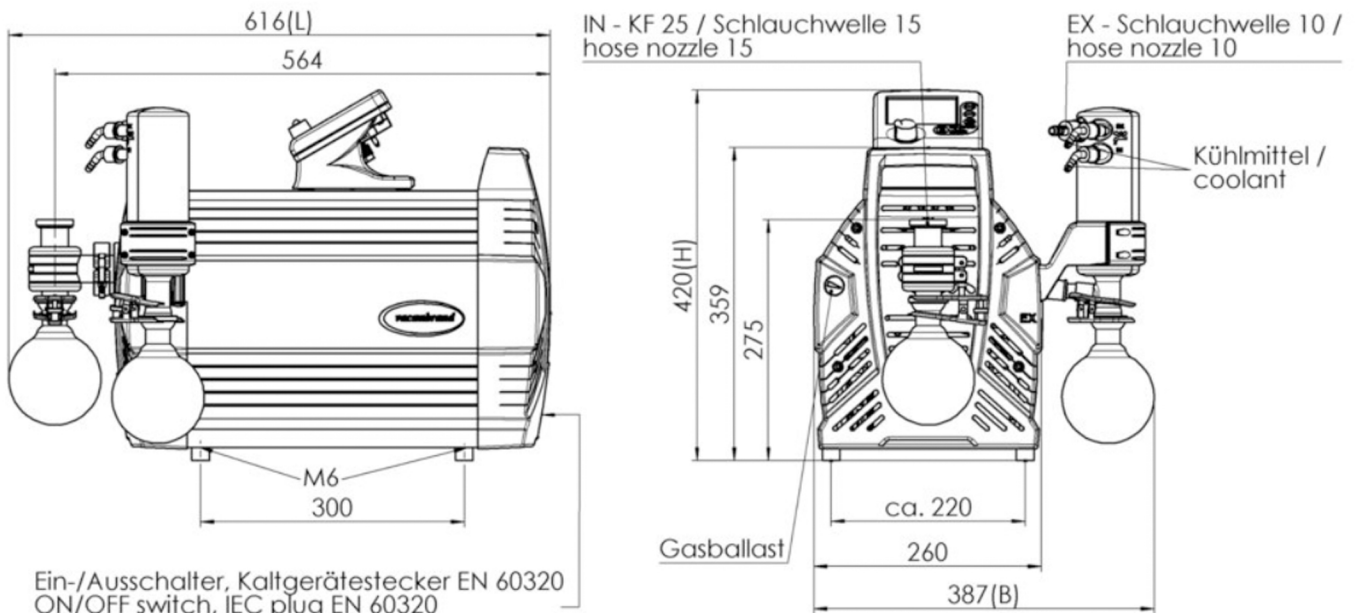
FAX: 831-462-3536

WWW.PROVAC.COM

Vacuubrand PC 3012 NT Vario Pumping Curves



Dimensions



Ein-/Ausschalter, Kaltgerätestecker EN 60320
ON/OFF switch, IEC plug EN 60320

Gewicht / weight 29,7 kg
Alle Maße / all dimensions (mm)

VACUUBRAND PC 3010 NT VARIO, PC 3012 NT VARIO, PC 3016 NT VARIO
Version 2012/04/23



PROVAC

SALES

PHONE: 831-462-8900

FAX: 831-462-3536

WWW.PROVAC.COM

Vacuubrand PC 3012 NT Vario

Features & Benefits

- ideal for high vacuum requirements with most high boiling solvents
- precise vacuum control via continuous motor speed adjustment
- controller provides fully auto evaporations
- exceptionally high chemical resistance
- short process times due to zero fluctuation vacuum control
- extraordinary diaphragm life for minimal operational costs
- removable vacuum controller can be arranged easily & flexibly

Applications

- rotary evaporator • parallel evaporator • local area vacuum networks for laboratories • oil-free vacuum for kilo labs • chemistry
- pharmaceuticals

