



Vacuubrand PC 3004 Vario Select

Technical Specifications

| | | PC 3004 VARIO select |
|---------------------------------------|-------------------|---|
| Vacuum controller | | VACUU-SELECT |
| Number of heads / stages | | 4 / 3 |
| Max. pumping speed | m ³ /h | 4.6 |
| Max. pumping speed | cfm | 2.7 |
| Ultimate vacuum (abs.) | mbar/torr | 1.5 / 1.1 |
| Ultim. vac. (abs.) with gas ballast | mbar/torr | 3 / 2.2 |
| Ambient temperature range (operation) | °C | 10 - 40 |
| Ambient temperature range (storage) | °C | -10 - 60 |
| Max. back pressure (abs.) | bar | 1.1 |
| Inlet connection | | Hose nozzle DN 8-10 mm |
| Outlet connection | | Hose nozzle DN 8-10 mm |
| Coolant connection | | 2 x hose nozzle DN 6-8 mm |
| Rated motor power | kW | 0.53 |
| Motor speed range | min-1 | 30 - 2400 |
| Protection class | | IP 40 |
| Dimensions (L x W x H) | mm | 419 x 243 x 457 |
| Weight | kg | 21.1 |
| Noise level at 50 Hz, typ. | dBA | 43 |
| ATEX conformity (only 230V) | | II 3/- G IIC T3 X Internal Atm. only |
| Items supplied | | Pumping unit completely mounted, ready for use, with manual. |
| Accessories | | Coolant valve VKW-B (20674220) Vent valve VB M-B (20674217) Liquid level sensor (20699908) Rubber vacuum tubing DN 8 mm (20686001) |



PROVAC

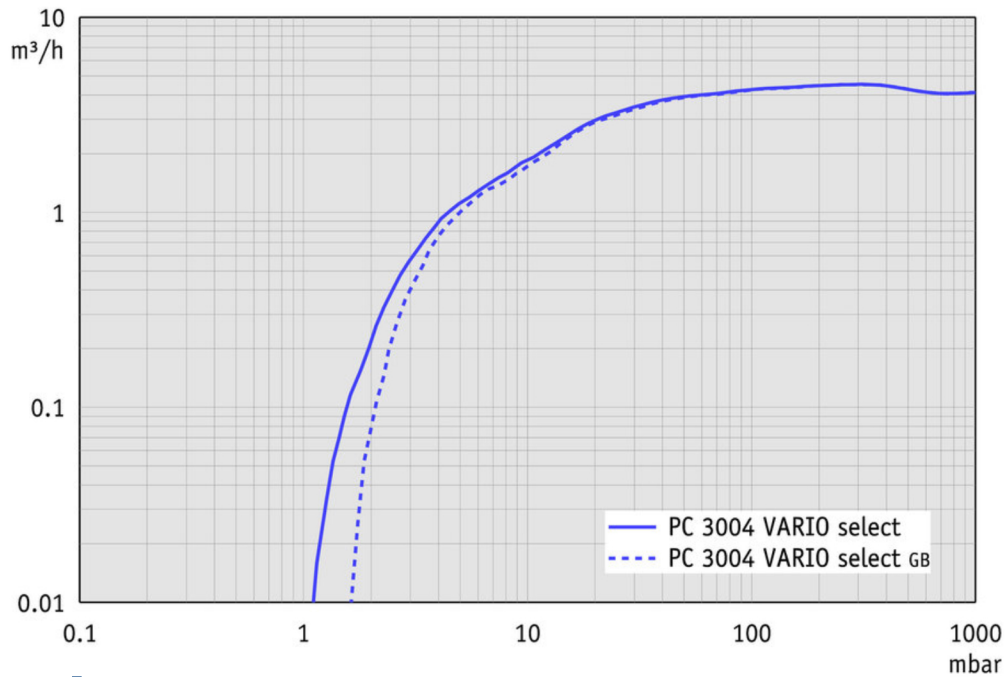
SALES

PHONE: 831-462-8900

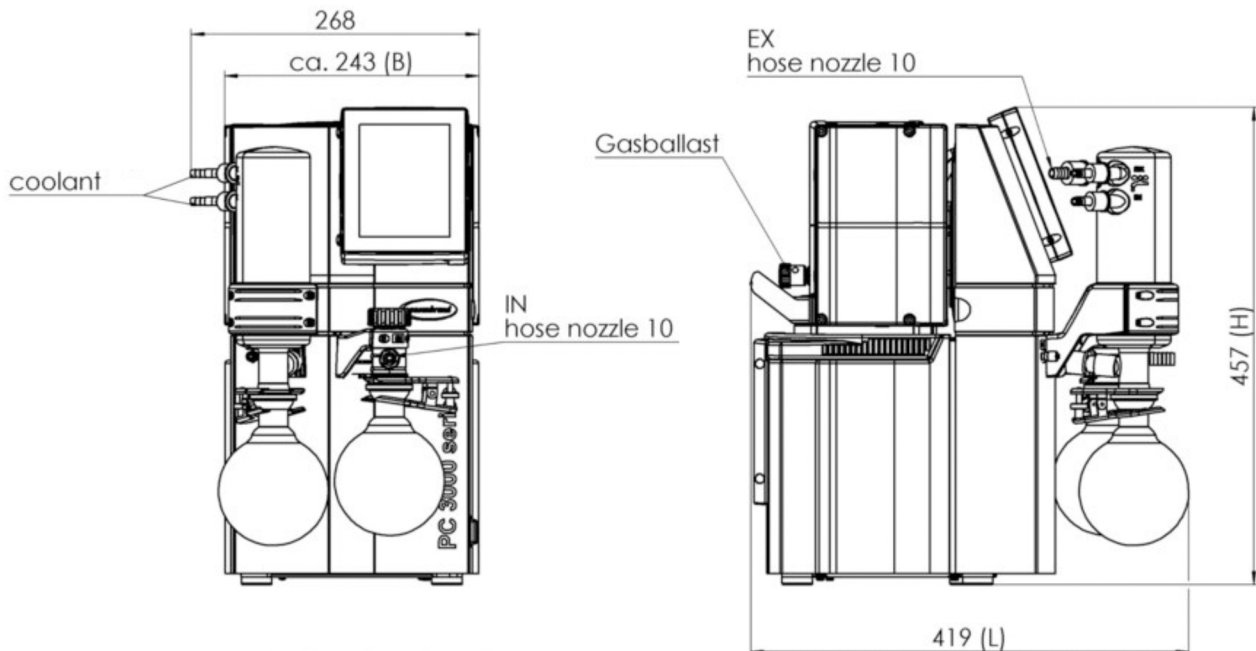
FAX: 831-462-3536

WWW.PROVAC.COM

Vacuubrand PC 3004 Vario Select Pumping Curves



Dimensions



all dimensions (mm)
weight: ca.21,1 kg

VACUUBRAND PC 3004 select
Version 2017/08/23



PROVAC

S A L E S

PHONE: 831-462-8900

FAX: 831-462-3536

WWW.PROVAC.COM

Vacuubrand PC 3004 Vario Select Features & Benefits

- pumping unit precisely controls vacuum level for unparalleled process control
- high pumping speed and deep ultimate vacuum
- suitable for demanding applications, even with high boiling point solvents
- integrated controller provides an application based interface
- controller continuously detects the boiling point and automatically adjusts the vacuum process as necessary
- extended maintenance intervals
- inlet separator prevents particles & liquid droplets from entering pump
- exhaust vapor condenser allows for near 100% solvent recovery when used with a chilled water line/recirculating chiller
- minimum operational & servicing costs

Applications

- rotary evaporators • vacuum concentrators • drying chambers

