



PROVAC
SALES

PHONE: 831-462-8900

FAX: 831-462-3536

WWW.PROVAC.COM

Vacuubrand PC 3003 Vario Select

Technical Specifications

		PC 3003 VARIO select
Vacuum controller		VACUU-SELECT
Number of heads / stages		4 / 4
Max. pumping speed	m ³ /h	2.8
Max. pumping speed	cfm	1.6
Ultimate vacuum (abs.)	mbar/torr	0.6 / 0.45
Ultim. vac. (abs.) with gas ballast	mbar/torr	1.5 / 1.12
Ambient temperature range (operation)	°C	10 - 40
Ambient temperature range (storage)	°C	-10 - 60
Max. back pressure (abs.)	bar	1.1
Inlet connection		Hose nozzle DN 8-10 mm
Outlet connection		Hose nozzle DN 8-10 mm
Coolant connection		2 x hose nozzle DN 6-8 mm
Rated motor power	kW	0.53
Motor speed range	min-1	30 - 2400
Protection class		IP 40
Dimensions (L x W x H)	mm	419 x 243 x 457
Weight	kg	21.1
Noise level at 50 Hz, typ.	dBA	43
ATEX conformity (only 230V)		II 3/- G IIC T3 X Internal Atm. only
Items supplied		Pumping unit completely mounted, ready for use, with manual.
Accessories		Coolant valve VKW-B (20674220) Vent valve VB M-B (20674217) Liquid level sensor (20699908) Rubber vacuum tubing DN 8 mm (20686001)



PROVAC

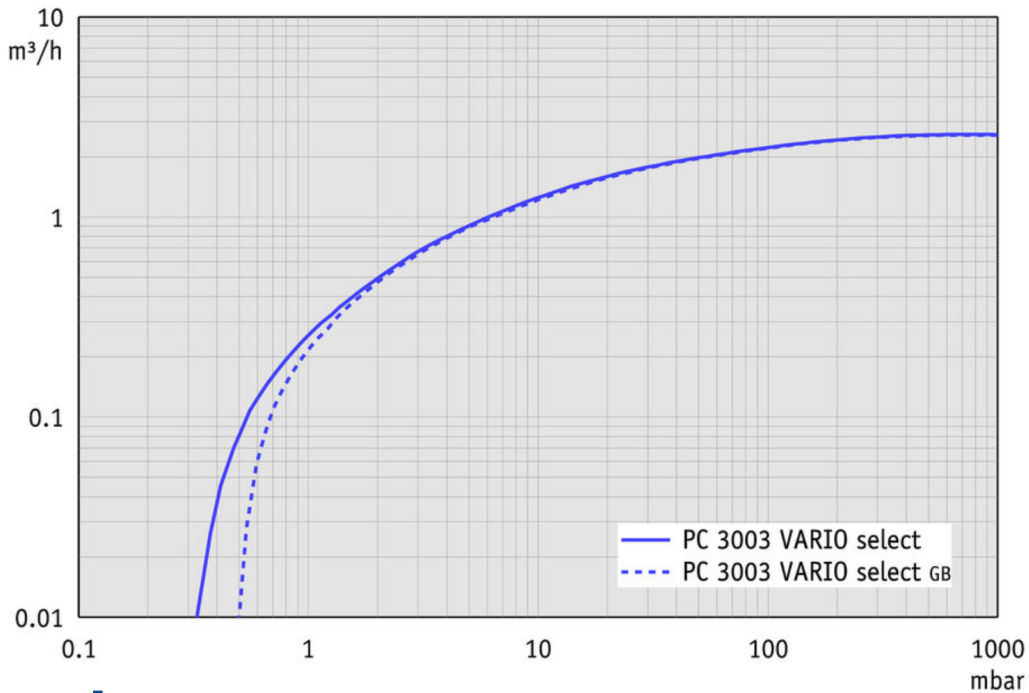
SALES

PHONE: 831-462-8900

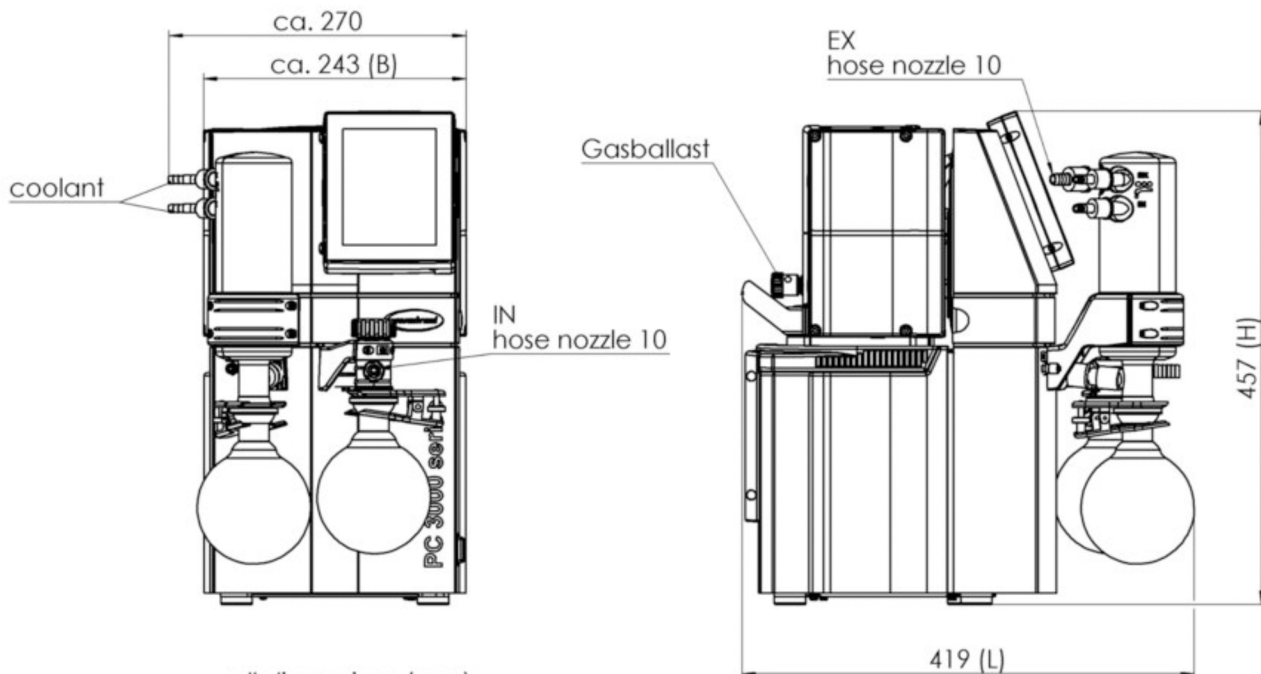
FAX: 831-462-3536

WWW.PROVAC.COM

Vacuubrand PC 3003 Vario Select Pumping Curves



Dimensions



all dimensions (mm)
weight: ca.21,1 kg

VACUUBRAND PC 3003 VARIO select
Version 2018/04/05



PROVAC

SALES

PHONE: 831-462-8900

FAX: 831-462-3536

WWW.PROVAC.COM

Vacuubrand PC 3003 Vario Select Features & Benefits

- pumping unit precisely controls the vacuum level in order to achieve unparalleled process control
- high pumping speed & deep ultimate vacuum
- suitable for demanding applications with high boiling point solvents in low temperature conditions
- integrated controller provides easy-to-use application based interface that covers all common lab applications
- controller continuously detects the boiling point and automatically adjusts that vacuum process as necessary
- extended maintenance intervals
- inlet separator prevents particles & liquid droplets from entering pump
- exhaust vapor condenser allows for almost 100% recovery of solvents when used with a chilled water line/recirculating chiller

Applications

- rotary evaporators • vacuum concentrators • drying chambers

