



Vacuubrand PC 3001 Vario Select Technical Specifications EK Peltronic

		PC 3001 VARIO select EK Peltronic
Vacuum controller		VACUU·SELECT
Number of heads / stages		4 / 3
Max. pumping speed	m ³ /h	2.0
Max. pumping speed	cfm	1.2
Ultimate vacuum (abs.)	mbar/torr	2.0 / 1.5
Ultim. vac. (abs.) with gas ballast	mbar/torr	4 / 3
Ambient temperature range (operation)	°C	10 - 40
Ambient temperature range (storage)	°C	-10 - 60
Max. back pressure (abs.)	bar	1.1
Inlet connection		Hose nozzle DN 6-10 mm
Outlet connection		Hose nozzle DN 8-10 mm
Rated motor power	kW	0.16
Motor speed range	min-1	200 - 3000
Protection class		IP 20
Dimensions (L x W x H)	mm	300 x 370 x 400
Weight	kg	11.8
Noise level at 50 Hz, typ.	dBA	42
ATEX conformity (only 230V)		II 3/- G IIC T3 X Internal Atm. only
Items supplied		Pump completely mounted, ready for use, with manual.
Accessories		Rubber vacuum tubing DN 6 mm (20686000) Rubber vacuum tubing DN 8 mm (20686001) Vent valve VB M-B (20674217) Liquid level sensor (20699908) VACUU·BUS® Y-Adapter mit Kabel 2m (20683240)



PROVAC

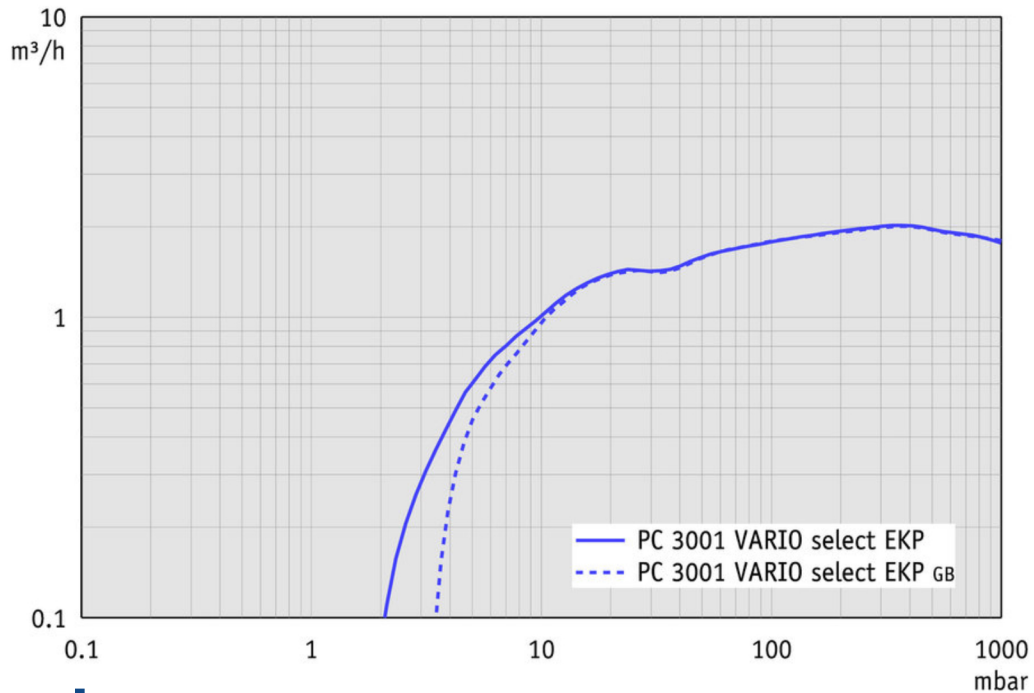
SALES

PHONE: 831-462-8900

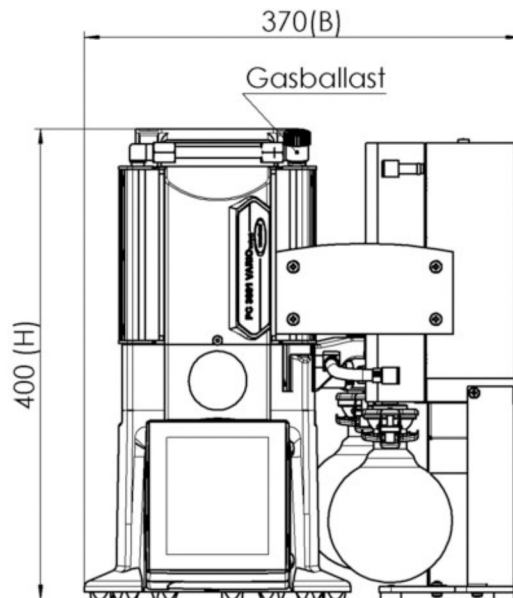
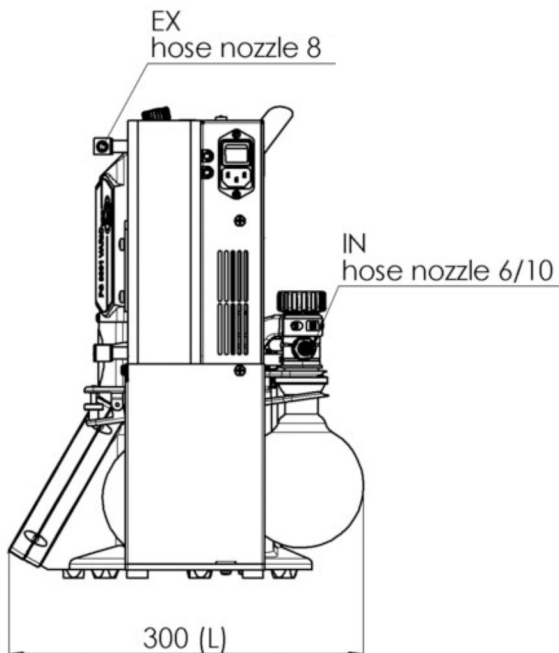
FAX: 831-462-3536

WWW.PROVAC.COM

Vacuubrand PC 3001 Vario Select Pumping Curves EK Peltronic



Dimensions



all dimensions (mm)
weight 11,8 kg

PC 3001 VACUU-SELECT EKP
Version 2018/03/23



PROVAC

SALES

PHONE: 831-462-8900

FAX: 831-462-3536

WWW.PROVAC.COM

Vacuubrand PC 3001 Vario Select Features & Benefits EK Peltronic

- pumping unit precisely controls vacuum level
- suitable for even high boiling point solvents
- integrated controller provides easy-to-use application based interface
- detects solvent boiling & auto adjusts pump's motor speed
- exceptionally long maintenance intervals
- whisper quiet & ultra low vibration
- inlet separator prevents particles & liquid droplets from entering pump
- included emission condenser works without any cooling media
- compact & powerful
- extremely low power consumption

Applications

- rotary evaporator • vacuum concentrators • drying chambers

