



# Vacuubrand PC 3001 Vario Select

## Technical Specifications

		PC 3001 VARIO select
Vacuum controller		VACUU-SELECT
Number of heads / stages		4 / 3
Max. pumping speed	m <sup>3</sup> /h	2.0
Max. pumping speed	cfm	1.2
Ultimate vacuum (abs.)	mbar/torr	2.0 / 1.5
Ultim. vac. (abs.) with gas ballast	mbar/torr	4 / 3
Ambient temperature range (operation)	°C	10 - 40
Ambient temperature range (storage)	°C	-10 - 60
Max. back pressure (abs.)	bar	1.1
Inlet connection		Hose nozzle DN 6-10 mm
Outlet connection		Hose nozzle DN 8-10 mm
Coolant connection		2 x hose nozzle DN 6-8 mm
Rated motor power	kW	0.16
Motor speed range	min-1	200 - 3000
Protection class		IP 20
Dimensions (L x W x H)	mm	303 x 306 x 400
Weight	kg	8.2
Noise level at 50 Hz, typ.	dBA	42
ATEX conformity (only 230V)		II 3/- G IIC T3 X Internal Atm. only
Items supplied		Pump completely mounted, ready for use, with manual.
Accessories		Rubber vacuum tubing DN 6 mm (20686000) Rubber vacuum tubing DN 8 mm (20686001) Coolant valve VKW-B (20674220) Vent valve VB M-B (20674217) Liquid level sensor (20699908) VACUU-BUS® Y-Adapter mit Kabel 2m (20683240)



# PROVAC

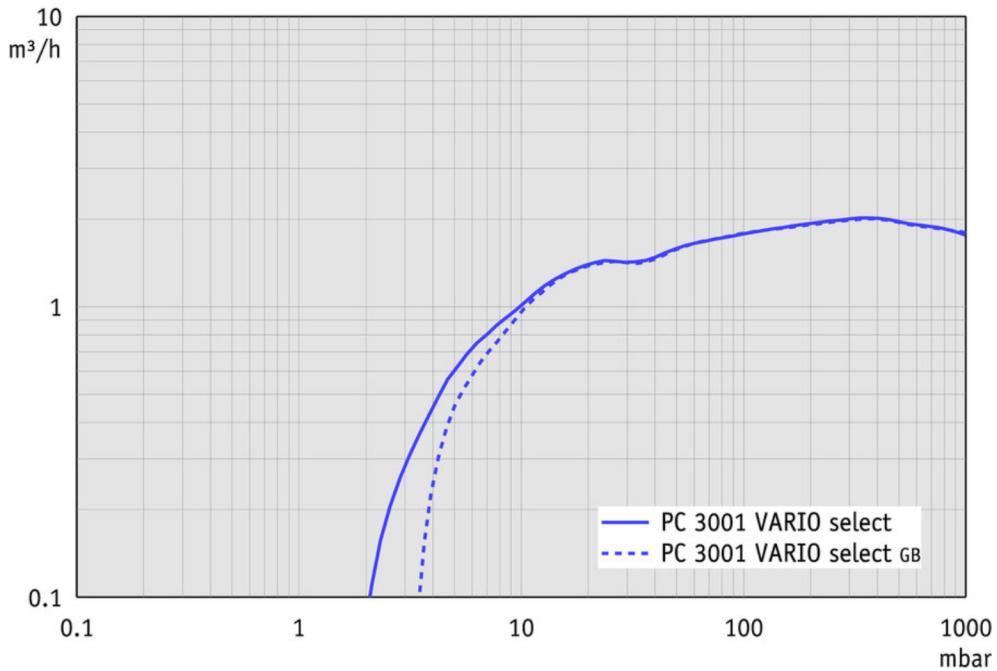
## SALES

PHONE: 831-462-8900

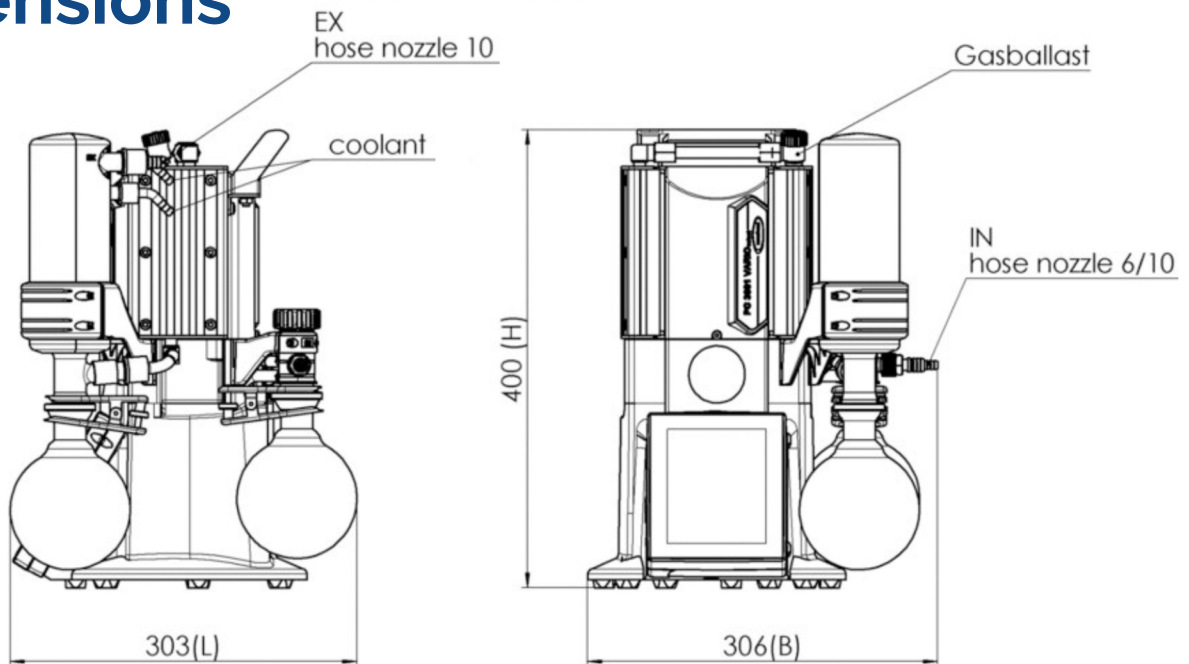
FAX: 831-462-3536

WWW.PROVAC.COM

# Vacuubrand PC 3001 Vario Select Pumping Curves



## Dimensions



weight (without cable): 8,2 kg  
all dimensions (mm)

VACUUBRAND PC 3001 VARIO select  
Version 2017/06/29



# PROVAC

## S A L E S

PHONE: 831-462-8900

FAX: 831-462-3536

WWW.PROVAC.COM

## Vacuubrand PC 3001 Vario Select Features & Benefits

- pumping unit precisely controls vacuum level
- suitable for even high boiling solvent points
- integrated controller provides easy-to-use application based interface
- controller detects solvent boiling & auto adjusts motor speed
- whisper quiet & ultra low vibration
- exceptionally long maintenance intervals
- inlet separator prevents particles & liquid droplets from entering pump
- exhaust vapor condensor allows for nearly complete recovery of solvents when used with a chilled water line/recirculating chiller
- extremely low power consumption

## Applications

- rotary evaporator • vacuum concentrators • drying chambers • all common lab applications

