



# Vacuubrand PC 3001 Basic

## Technical Specifications

		PC 3001 basic
Vacuum controller		RPM setting
Number of heads / stages		4 / 3
Max. pumping speed	m <sup>3</sup> /h	2.0
Max. pumping speed	cfm	1.2
Ultimate vacuum (abs.)	mbar/torr	2 / 1.5
Ultim. vac. (abs.) with gas ballast	mbar/torr	4 / 3
Ambient temperature range (operation)	°C	10 - 40
Ambient temperature range (storage)	°C	-10 - 60
Max. back pressure (abs.)	bar	1.1
Inlet connection		Hose nozzle DN 6-10 mm
Outlet connection		Hose nozzle DN 8-10 mm / silencer
Rated motor power	kW	0.16
Motor speed range	min-1	200 - 3000
Protection class		IP 20
Dimensions (L x W x H)	mm	251 x 256 x 400
Weight	kg	6.4
Noise level at 50 Hz, typ.	dBA	42
ATEX conformity (only 230V)		II 3/- G IIC T3 X Internal Atm. only
Items supplied		Pumping unit completely mounted, ready for use, with manual.
Accessories		Rubber vacuum tubing DN 6 mm (20686000) Rubber vacuum tubing DN 8 mm (20686001) Upgrade kit CVC 3000 with inlet separator (20699921) Upgrade kit emission condenser (20699922)



# PROVAC

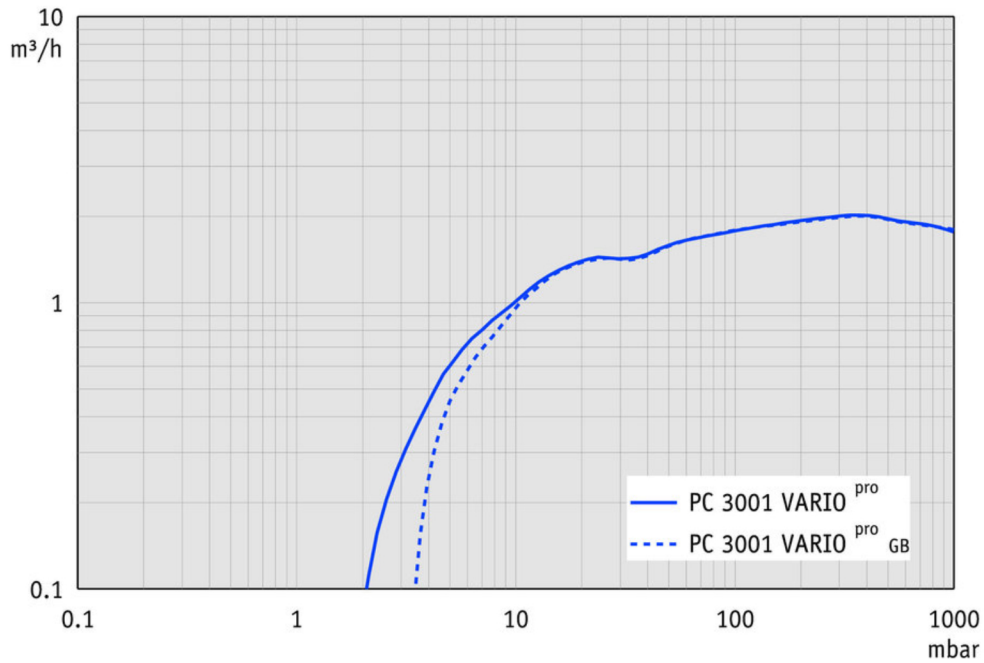
## SALES

PHONE: 831-462-8900

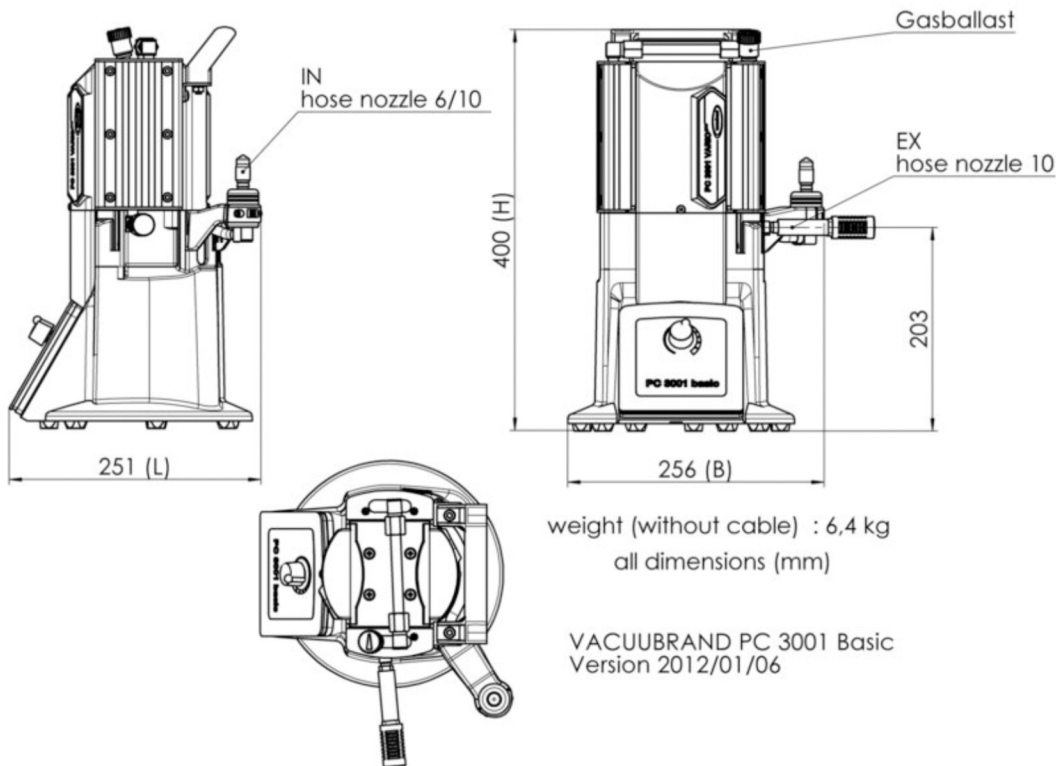
FAX: 831-462-3536

WWW.PROVAC.COM

## Vacuubrand PC 3001 Basic Pumping Curves



## Dimensions





# PROVAC

## SALES

PHONE: 831-462-8900

FAX: 831-462-3536

WWW.PROVAC.COM

## Vacuubrand PC 3001 Basic Features & Benefits

- excellent solution for working with high boiling solvents
- continuously variable jog wheel manually adjusts pumping speed
- outstanding chemical resistance & superior vapor tolerance
- high flow rate, even at low vacuum
- excellent ultimate vacuum, even with gas ballast

## Applications

- rotary evaporator • vacuum concentrators • drying chambers
- filtration & solid phase extraction

