



# Pfeiffer Okta 8000

## Technical Specifications

|  | Okta 8000  |
|--|--|
| Ambient temperature  | 5-40 °C   41-104 °F   278-313 K                      |
| Cooling method, standard   | Air  |
| Differential pressure at the overflow valve                              | 23 hPa   17.25 Torr   23 mbar                        |
| Dimensions (L x W x H)   | 2,076 x 860 x 845 mm  <br>81.73 x 33.86 x 33.27 inch |
| Emission sound pressure level (EN ISO 2151)<br>at intake pressure 10 hPa | 79 dB(A)   |
| Emission sound pressure level (EN ISO 2151)<br>at intake pressure 1 hPa  | 74 dB(A)   |
| Flange (in)  | DN 320 ISO-F   |
| Flange (out)   | DN 320 ISO-F   |
| Leak rate  | $1 \cdot 10^{-3}$ Pa m <sup>3</sup> /s               |
| Mains requirement: voltage 50 Hz   | 400/690 V  |
| Mains requirement: voltage 60 Hz   | 460 V  |
| Motor protection   | 3TF  |
| Nominal pumping speed  | 3350 – 12550 m <sup>3</sup> /h                       |
| Nominal pumping speed at 50 Hz   | 8370 m <sup>3</sup> /h                               |
| Nominal pumping speed at 60 Hz   | 10040 m <sup>3</sup> /h                              |
| Nominal pumping speed max.   | 12550 m <sup>3</sup> /h                              |
| Nominal pumping speed min.   | 3350 m <sup>3</sup> /h                               |
| Nominal rotation speed at 50 Hz  | 1,500 rpm   1,500 min <sup>-1</sup>                  |
| Nominal rotation speed at 60 Hz  | 1,800 rpm   1,800 min <sup>-1</sup>                  |
| Operating fluid  | P3   |
| Operating fluid filling  | 21 l   |
| Protection category  | IP55   |
| Rated power 50 Hz  | 22 kW  |
| Rated power 60 Hz  | 25 kW  |
| Rotation speed   | 1,200-2,250 rpm   1,200-2,250 min <sup>-1</sup>      |
| Version  | Standard with motor                                  |
| Voltage: Range   | ±5 %   |
| Weight: with motor   | 1,660 kg   3,659.64 lb                               |



# PROVAC

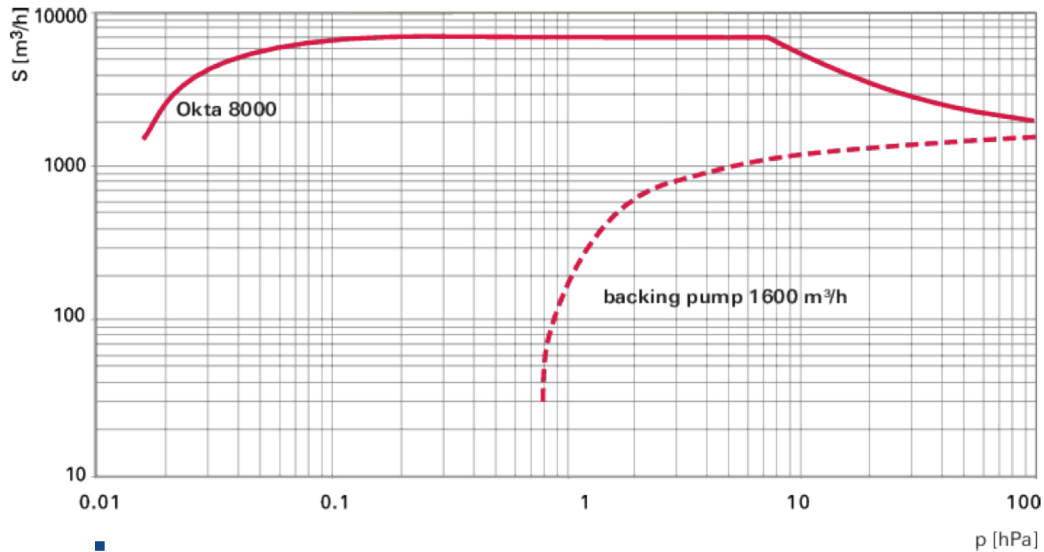
## SALES

PHONE: 831-462-8900

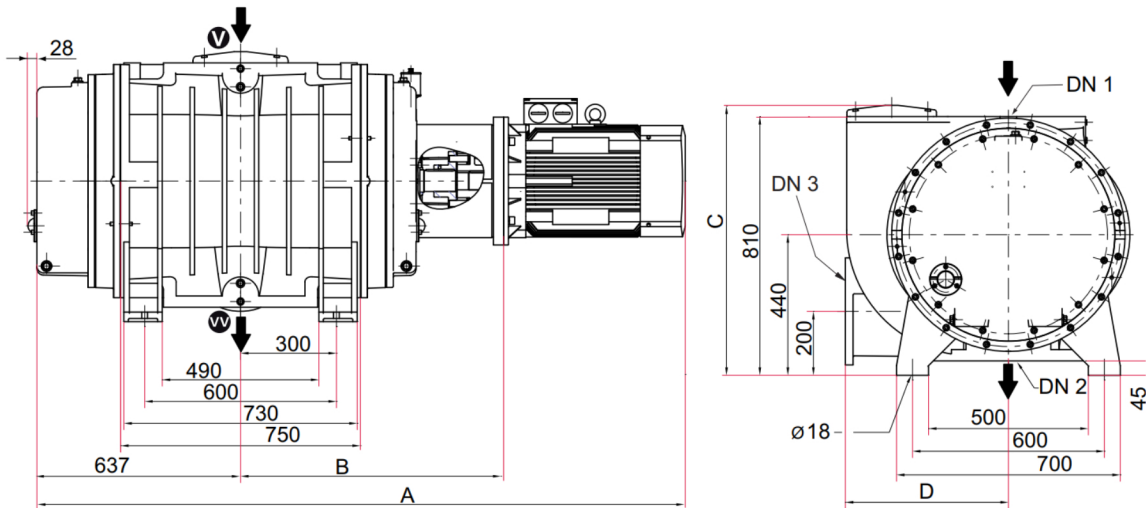
FAX: 831-462-3536

WWW.PROVAC.COM

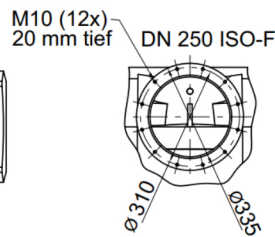
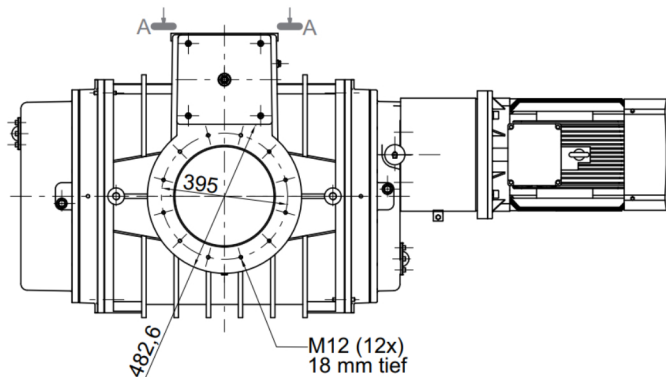
# Pfeiffer Okta 8000 Pumping Curves



## Dimensions



A-A



| Dimensions | Okta 8000    |
|------------|--------------|
| A          | 2156 mm      |
| B          | 791 mm       |
| C          | 845 mm       |
| D          | 510 mm       |
| DN1        | DN 320 ISO-F |
| DN2        | DN 320 ISO-F |
| DN3        | DN 250 ISO-F |



# PROVAC

## SALES

PHONE: 831-462-8900

FAX: 831-462-3536

WWW.PROVAC.COM

## Pfeiffer Okta 8000

### Features & Benefits

- low operating costs
- convection cooling
- magnetic coupling
- rugged, compact design
- optimum flexibility and maximum process suitability
- fast evacuation thanks to high compression ratio & overflow valve
- maintenance free, maximum reliability & highest uptime
- integral overflow valve prevents thermal overload
- long service intervals & simple on-site maintenance

### Applications

- metallurgy • simulation chambers • packaging industry • freeze & vacuum-drying • thin-film technology • electron beam welding
- load-locks • chemistry & process technology • industrial leak detection systems • steel degassing

