



## Pfeiffer Okta 6000, 6000M

### Technical Specifications

	Okta 6000	Okta 6000 M
Version	Standard with motor	Standard with motor and magnetic coupling
Flange (in)	DN 250 ISO-F/DN 250 PN 16	DN 250 ISO-F/DN 250 PN 16
Flange (out)	DN 160 ISO-F/DN 150 PN 16	DN 160 ISO-F/DN 150 PN 16
Nominal pumping speed	3240-9730 m <sup>3</sup> /h	3240-9730 m <sup>3</sup> /h
Nominal pumping speed at 50 Hz	6485 m <sup>3</sup> /h	6485 m <sup>3</sup> /h
Nominal pumping speed at 60 Hz	7785 m <sup>3</sup> /h	7785 m <sup>3</sup> /h
Differential pressure at the overflow valve	20 hPa	20 hPa
Nominal rotation speed at 50 Hz	3000 min <sup>-1</sup>	3000 min <sup>-1</sup>
Nominal rotation speed at 60 Hz	3600 min <sup>-1</sup>	3600 min <sup>-1</sup>
Rotation speed	from 1500 to 4500 min <sup>-1</sup>	from 1500 to 4500 min <sup>-1</sup>
Rotation speed min.	1500 min <sup>-1</sup>	1500 min <sup>-1</sup>
Rotation speed max.	4500 min <sup>-1</sup>	4500 min <sup>-1</sup>
Leak rate	1 · 10 <sup>-3</sup> Pa m <sup>3</sup> /s	1 · 10 <sup>-6</sup> Pa m <sup>3</sup> /s
Emission sound pressure level (EN ISO 2151) at intake pressure 1 hPa	74 dB (A)	74 dB (A)
Emission sound pressure level (EN ISO 2151) at intake pressure 10 hPa	79 dB (A)	79 dB (A)
Ambient temperature	5-40 °C	5-40 °C
Protection category	IP 55	IP 55
Rated power 50 Hz	15.0 kW	15.0 kW
Rated power 60 Hz	18.5 kW	18.5 kW
Shipping and storage temperature	-10-+40 °C	-10-+40 °C
Operating fluid filling	6.8 l	6.8 l
Weight: with motor	870 kg	900 kg
Cooling method, standard	Air	Air



# PROVAC

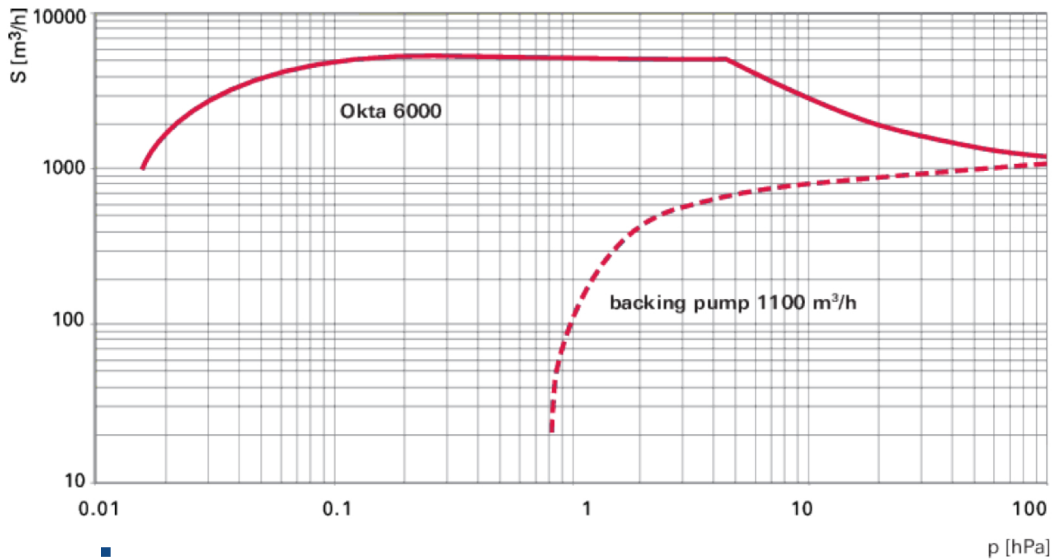
## SALES

PHONE: 831-462-8900

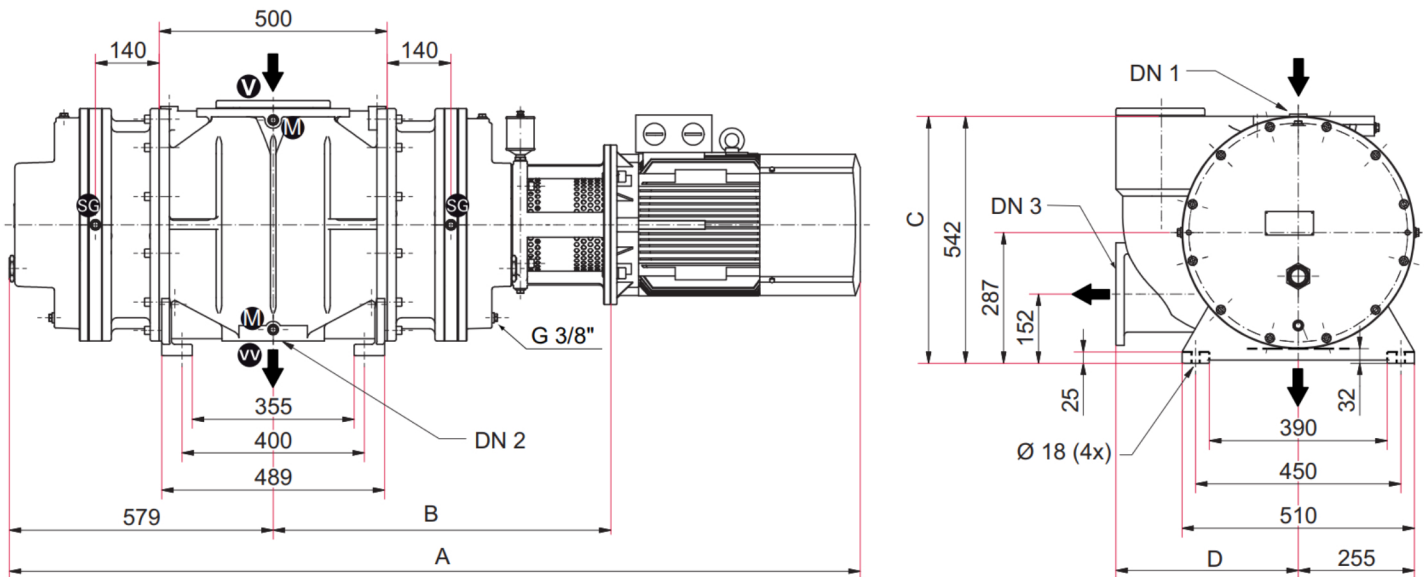
FAX: 831-462-3536

WWW.PROVAC.COM

# Pfeiffer Okta 6000, 6000M Pumping Curves



## Dimensions



Dimensions	Okta 6000	Okta 6000 M
A	1867 mm	1954 mm
B	741 mm	828 mm
C	560 mm	560 mm
D	400 mm	400 mm
DN1	DN 250 ISO-F/DN 250 PN 16	DN 250 ISO-F/DN 250 PN 16
DN2	DN 160 ISO-F/DN 150 PN 16	DN 160 ISO-F/DN 150 PN 16
DN3	DN 160 ISO-F/DN 150 PN 16	DN 160 ISO-F/DN 150 PN 16



# PROVAC

## SALES

PHONE: 831-462-8900

FAX: 831-462-3536

WWW.PROVAC.COM

## Pfeiffer Okta 6000, 6000M Features & Benefits

- low operating costs
- convection cooling
- magnetic coupling
- rugged, compact design
- optimum flexibility and maximum process suitability
- fast evacuation thanks to high compression ratio & overflow valve
- maintenance free, maximum reliability & highest uptime
- integral overflow valve prevents thermal overload
- long service intervals & simple on-site maintenance

## Applications

- metallurgy • simulation chambers • packaging industry • freeze & vacuum-drying • thin-film technology • electron beam welding
- load-locks • chemistry & process technology • industrial leak detection systems • steel degassing

