



# Pfeiffer Okta 500, 500M

## Technical Specifications

	<b>Okta 500 M, roots vacuum pump, 230/400 V, 50 Hz   265/460 V, 60 Hz</b>
Ambient temperature	5-40 °C   41-104 °F   278-313 K
Cooling method, standard	Air
Differential pressure at the overflow valve	75 hPa   56.25 Torr   75 mbar
Differential pressure max.	75 hPa
Dimensions (L x W x H)	950 x 333 x 298 mm   37.4 x 13.11 x 11.73 inch
Emission sound pressure level (EN ISO 2151) at intake pressure 10 hPa	75 dB(A)
Emission sound pressure level (EN ISO 2151) at intake pressure 1 hPa	70 dB(A)
Flange (in)	DN 100 ISO-F
Flange (out)	DN 100 ISO-F
Leak rate	1 · 10 <sup>-6</sup> Pa m <sup>3</sup> /s   7.5 · 10 <sup>-6</sup> Torr l/s   1 · 10 <sup>-5</sup> mbar l/s
Mains requirement: voltage 50 Hz	230/400 V
Mains requirement: voltage 60 Hz	265/460 V
Motor protection	3TF
Nominal pumping speed	280-840 m <sup>3</sup> /h   164.81-494.42 cfm   4,666.67-14,000 l/min
Nominal pumping speed at 50 Hz	560 m <sup>3</sup> /h   329.62 cfm   9,333.33 l/min
Nominal pumping speed at 60 Hz	670 m <sup>3</sup> /h   394.36 cfm   11,166.67 l/min
Nominal pumping speed max.	840 m <sup>3</sup> /h   494.42 cfm   14,000 l/min
Nominal pumping speed min.	280 m <sup>3</sup> /h   164.81 cfm   4,666.67 l/min
Nominal rotation speed at 50 Hz	3,000 rpm   3,000 min <sup>-1</sup>
Nominal rotation speed at 60 Hz	3,600 rpm   3,600 min <sup>-1</sup>
Operating fluid	P3
Operating fluid filling	1.5 l
Protection category	IP55
Rated power 50 Hz	1.5 kW
Rated power 60 Hz	1.8 kW
Rotation speed	1,500-4,500 rpm   1,500-4,500 min <sup>-1</sup>
Version	Standard with motor and magnetic coupling
Voltage: Range	± 5 %
Weight: with motor	155 kg   341.71 lb



# PROVAC

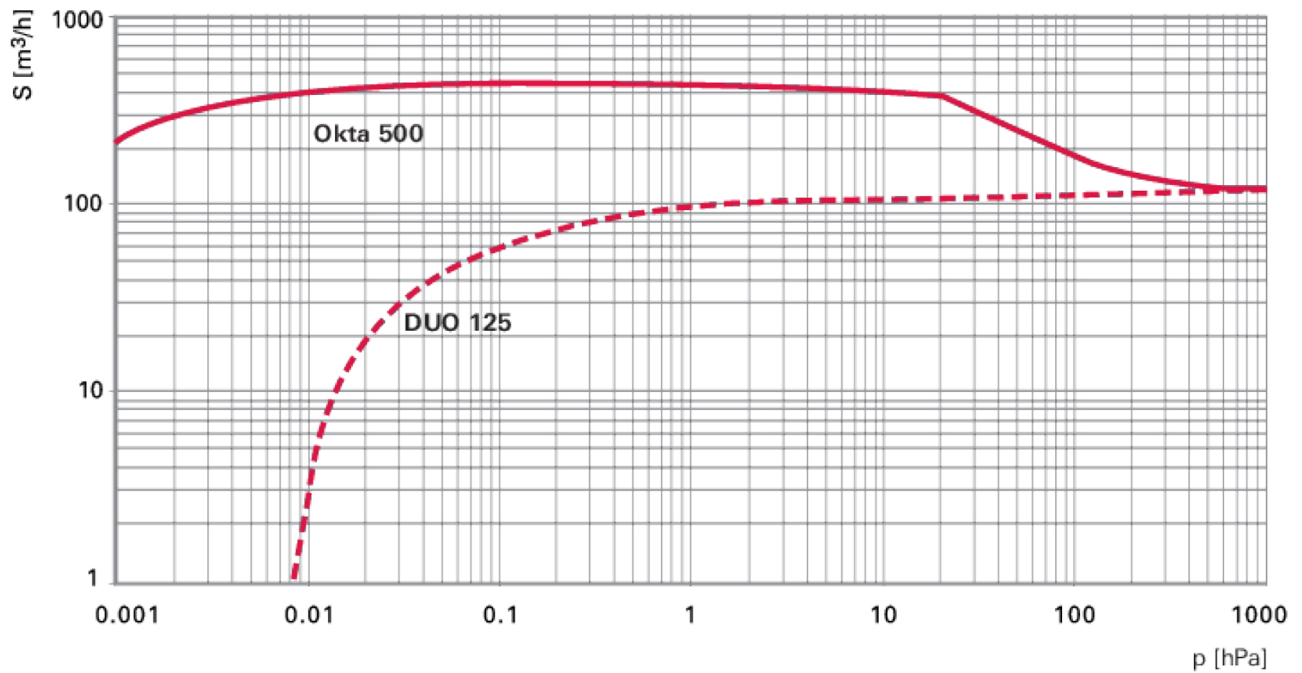
## SALES

PHONE: 831-462-8900

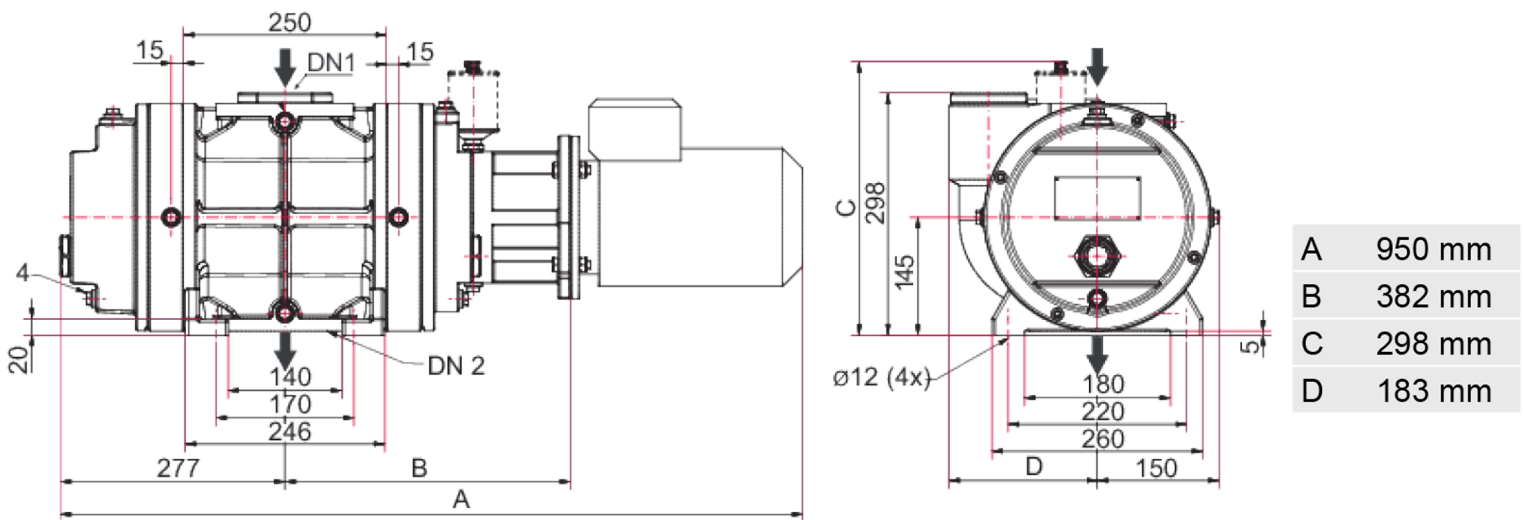
FAX: 831-462-3536

WWW.PROVAC.COM

## Pfeiffer Okta 500, 500M Pumping Curves



## Dimensions





# PROVAC

## SALES

PHONE: 831-462-8900

FAX: 831-462-3536

WWW.PROVAC.COM

## Pfeiffer Okta 500, 500M

### Features & Benefits

- high performance roots vacuum pump
- magnetic coupling (M Series)
- integral overflow valve prevents thermal overload
- for low & medium vacuum range applications

