



# Pfeiffer Okta 300

## Technical Specifications

	Okta 300
Ambient temperature	5-40 °C   41-104 °F   278-313 K
Cooling method, standard	Air
Differential pressure max.	60 – 35 hPa
Dimensions (L x W x H)	885 x 300 x 337 mm   34.84 x 11.81 x 13.27 inch
Emission sound pressure level (EN ISO 2151) at intake pressure 10 hPa	75 dB(A)
Emission sound pressure level (EN ISO 2151) at intake pressure 1 hPa	70 dB(A)
Flange (in)	DN 100 ISO-F
Flange (out)	DN 100 ISO-F
Leak rate	$1 \cdot 10^{-3}$ Pa m <sup>3</sup> /s
Mains requirement: voltage 50 Hz	230/400 V
Mains requirement: voltage 60 Hz	265/460 V
Motor protection	3TF
Nominal pumping speed	290 – 350 m <sup>3</sup> /h
Nominal pumping speed at 50 Hz	290 m <sup>3</sup> /h
Nominal pumping speed at 60 Hz	350 m <sup>3</sup> /h
Nominal pumping speed max.	350 m <sup>3</sup> /h
Nominal pumping speed min.	290 m <sup>3</sup> /h
Nominal rotation speed at 50 Hz	1,500 rpm   1,500 min <sup>-1</sup>
Nominal rotation speed at 60 Hz	1,800 rpm   1,800 min <sup>-1</sup>
Operating fluid	P3
Operating fluid filling	1.5 l
Protection category	IP55
Rated power 50 Hz	1.1 kW
Rated power 60 Hz	1.3 kW
Rotation speed	1,500-3,000 rpm   1,500-3,000 min <sup>-1</sup>
Version	Standard with motor
Voltage: Range	±5 %
Weight: with motor	130 kg   286.6 lb



# PROVAC

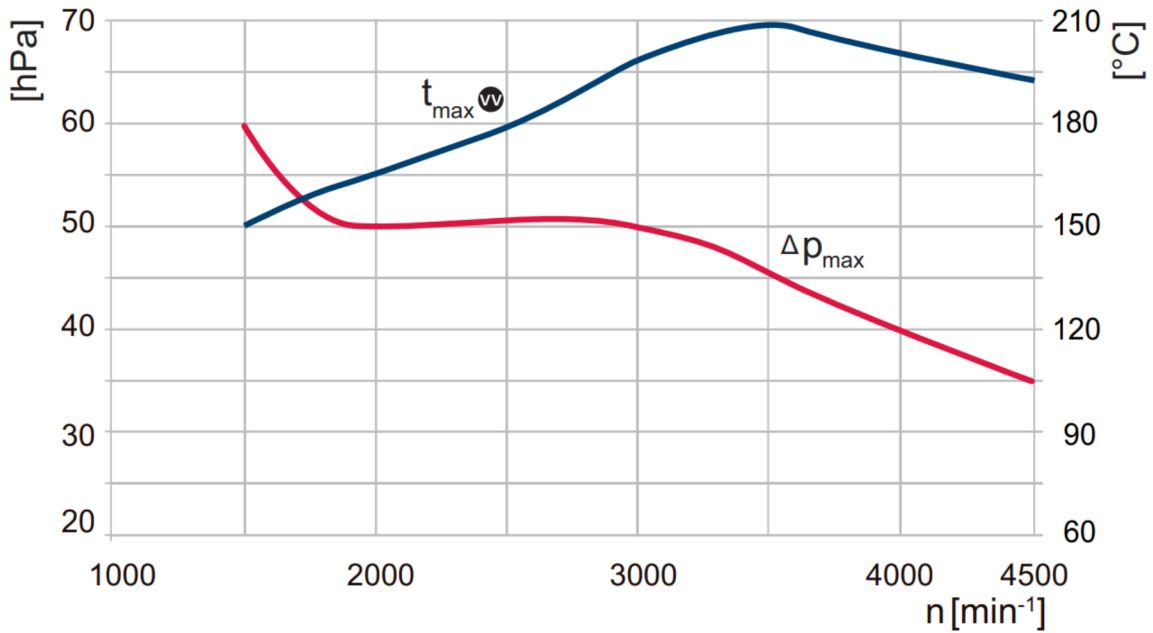
## SALES

PHONE: 831-462-8900

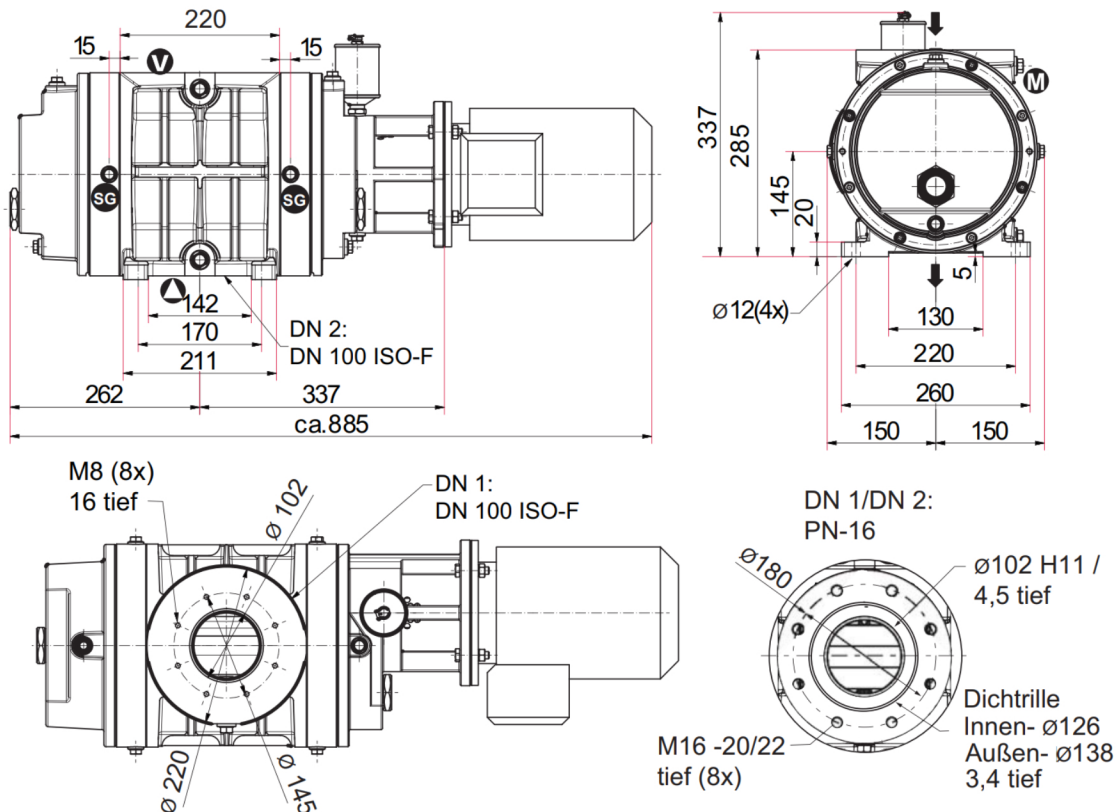
FAX: 831-462-3536

WWW.PROVAC.COM

## Pfeiffer Okta 300 Pumping Curves



## Dimensions





# PROVAC

## SALES

PHONE: 831-462-8900

FAX: 831-462-3536

WWW.PROVAC.COM

## Pfeiffer Okta 300 Features & Benefits

- low operating costs
- convection cooling
- magnetic coupling
- rugged, compact design
- optimum flexibility and maximum process suitability
- fast evacuation thanks to high compression ratio & overflow valve
- maintenance free, maximum reliability & highest uptime
- integral overflow valve prevents thermal overload
- long service intervals & simple on-site maintenance

## Applications

- metallurgy • simulation chambers • packaging industry • freeze & vacuum-drying • thin-film technology • electron beam welding
- load-locks • chemistry & process technology • industrial leak detection systems • steel degassing

