



Pfeiffer Okta 2000, 2000M

Technical Specifications

Parameter	Okta 2000	Okta 2000 M
Flange (in)	DN 160 ISO-F	DN 160 ISO-F
Flange (out)	DN 100 ISO-F	DN 100 ISO-F
Nominal pumping speed	1075-3230 m ³ /h	1075-3230 m ³ /h
Nominal pumping speed at 50 Hz	2155 m ³ /h	2155 m ³ /h
Nominal pumping speed at 60 Hz	2585 m ³ /h	2585 m ³ /h
Differential pressure at the overflow valve	35 hPa	35 hPa
Nominal rotation speed at 50 Hz	3000 min ⁻¹	3000 min ⁻¹
Nominal rotation speed at 60 Hz	3600 min ⁻¹	3600 min ⁻¹
Rotation speed	from 1,500 to 4,500 min ⁻¹	from 1500 to 4500 min ⁻¹
Rotation speed min.	1500 min ⁻¹	1500 min ⁻¹
Rotation speed max.	4500 min ⁻¹	4500 min ⁻¹
Leak rate	1 · 10 ⁻³ Pa m ³ /s	1 · 10 ⁻⁶ Pa m ³ /s
Emission sound pressure level (EN ISO 2151) at intake pressure 1 hPa	72 dB (A)	72 dB (A)
Emission sound pressure level (EN ISO 2151) at intake pressure 10 hPa	75 dB (A)	75 dB (A)
Ambient temperature	5-40 °C	5-40 °C
Protection category	IP 55	IP 55
Rated power 50 Hz	5.5 kW	5.5 kW
Rated power 60 Hz	6.3 kW	6.3 kW
Version	Standard with motor	Standard with motor and magnetic coupling
Shipping and storage temperature	-10-+40 °C	-10-+40 °C
Operating fluid filling	5 l	5 l
Weight: with motor	340 kg	360 kg
Cooling method, standard	Air	Air



PROVAC

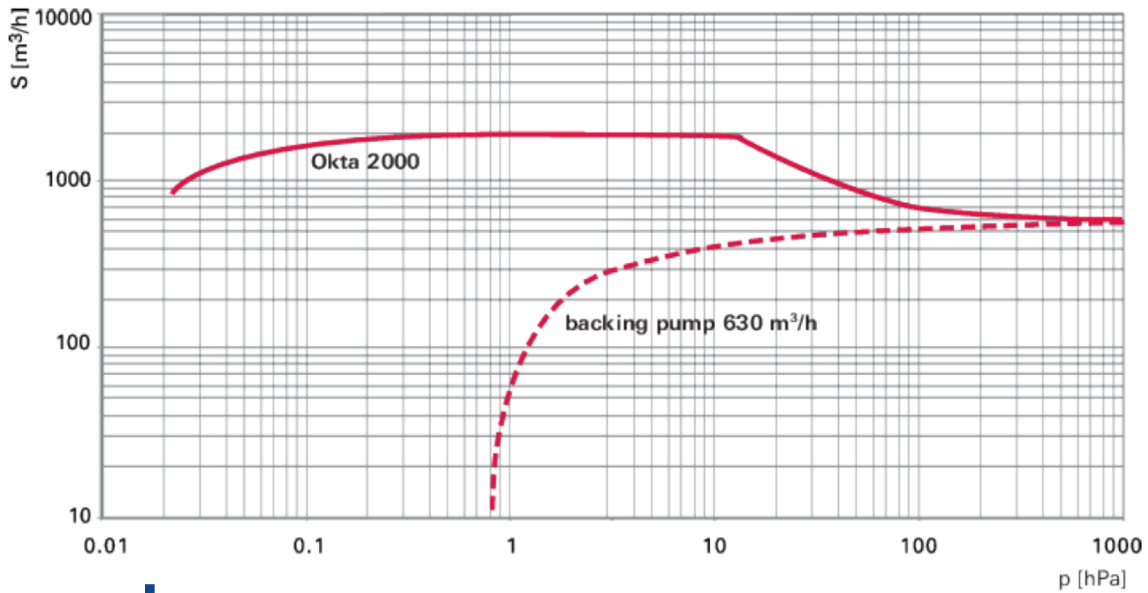
SALES

PHONE: 831-462-8900

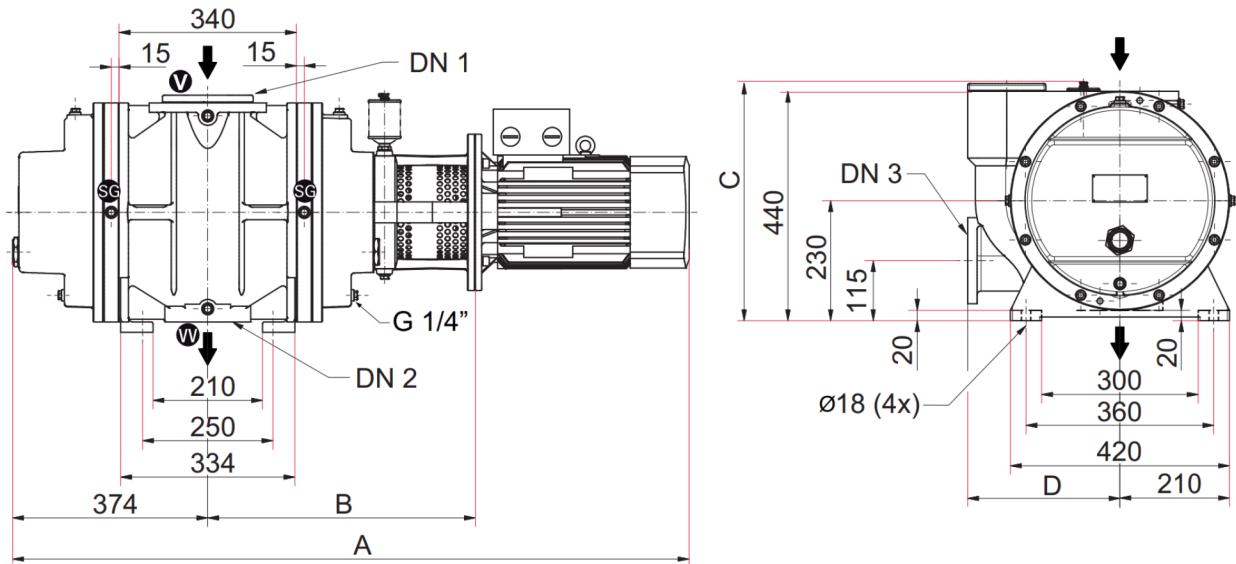
FAX: 831-462-3536

WWW.PROVAC.COM

Pfeiffer Okta 2000, 2000M Pumping Curves



Dimensions



	Okta 2000 standard with motor	Okta 2000 pressure surge resistant with motor	Okta 2000 M standard with motor & magnetic coupling	Okta 2000 M pressure surge resistant with motor & magnetic coupling
A	1297 mm	1297 mm	1317 mm	1317 mm
B	513 mm	513 mm	532 mm	532 mm
C	458 mm	458 mm	458 mm	458 mm
D	292 mm	292 mm	292 mm	292 mm
DN1	DN 160 ISO-F	DN 150 PN16	DN 160 ISO-F	DN 150 PN16
DN2	DN 100 ISO-F	DN 100 PN16	DN 100 ISO-F	DN 100 PN16
DN3	DN 100 ISO-F	DN 100 PN16	DN 100 ISO-F	DN 100 PN16



PROVAC

SALES

PHONE: 831-462-8900

FAX: 831-462-3536

WWW.PROVAC.COM

Pfeiffer Okta 2000, 2000M

Features & Benefits

- low operating costs
- convection cooling
- magnetic coupling
- rugged, compact design
- optimum flexibility and maximum process suitability
- fast evacuation thanks to high compression ratio & overflow valve
- maintenance free, maximum reliability & highest uptime
- integral overflow valve prevents thermal overload
- long service intervals & simple on-site maintenance

Applications

- metallurgy • simulation chambers • packaging industry • freeze & vacuum-drying • thin-film technology • electron beam welding
- load-locks • chemistry & process technology • industrial leak detection systems • steel degassing

