



# Pfeiffer Okta 18000

## Technical Specifications

	Okta 18000
Ambient temperature	5-40 °C   41-104 °F   278-313 K
Cooling method, standard	Air
Differential pressure at the overflow valve	7 hPa   5.25 Torr   7 mbar
Dimensions (L x W x H)	2,789 x 1,463 x 1,099 mm   109.8 x 57.6 x 43.27 inch
Emission sound pressure level (EN ISO 2151) at intake pressure 10 hPa	79 dB(A)
Emission sound pressure level (EN ISO 2151) at intake pressure 1 hPa	75 dB(A)
Flange (in)	DN 400 PN 10
Flange (out)	DN 400 PN 10
Leak rate	$1 \cdot 10^{-3}$ Pa m <sup>3</sup> /s
Mains requirement: voltage 50 Hz	400/690 V
Mains requirement: voltage 60 Hz	460 V
Motor protection	3TF
Nominal pumping speed	7310 – 27400 m <sup>3</sup> /h
Nominal pumping speed at 50 Hz	18270 m <sup>3</sup> /h
Nominal pumping speed at 60 Hz	21925 m <sup>3</sup> /h
Nominal pumping speed max.	27400 m <sup>3</sup> /h
Nominal pumping speed min.	7310 m <sup>3</sup> /h
Nominal rotation speed at 50 Hz	1,500 rpm   1,500 min <sup>-1</sup>
Nominal rotation speed at 60 Hz	1,800 rpm   1,800 min <sup>-1</sup>
Operating fluid	P3
Operating fluid filling	68 l
Protection category	IP55
Rated power 50 Hz	45 kW
Rated power 60 Hz	52 kW
Rotation speed	1,200-2,250 rpm   1,200-2,250 min <sup>-1</sup>
Version	Standard with motor
Voltage: Range	±5 %
Weight: with motor	3,225 kg   7,109.84 lb



# PROVAC

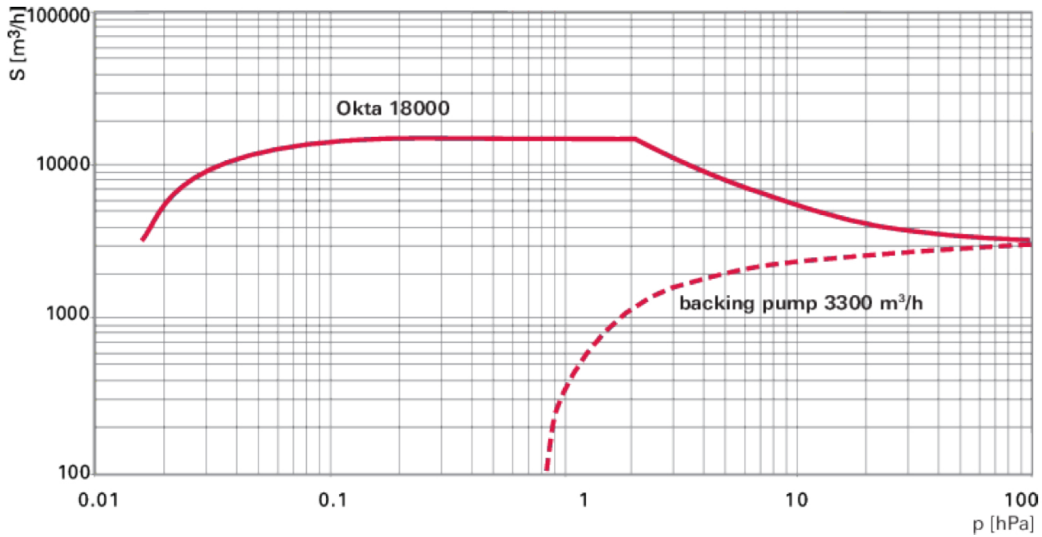
## SALES

PHONE: 831-462-8900

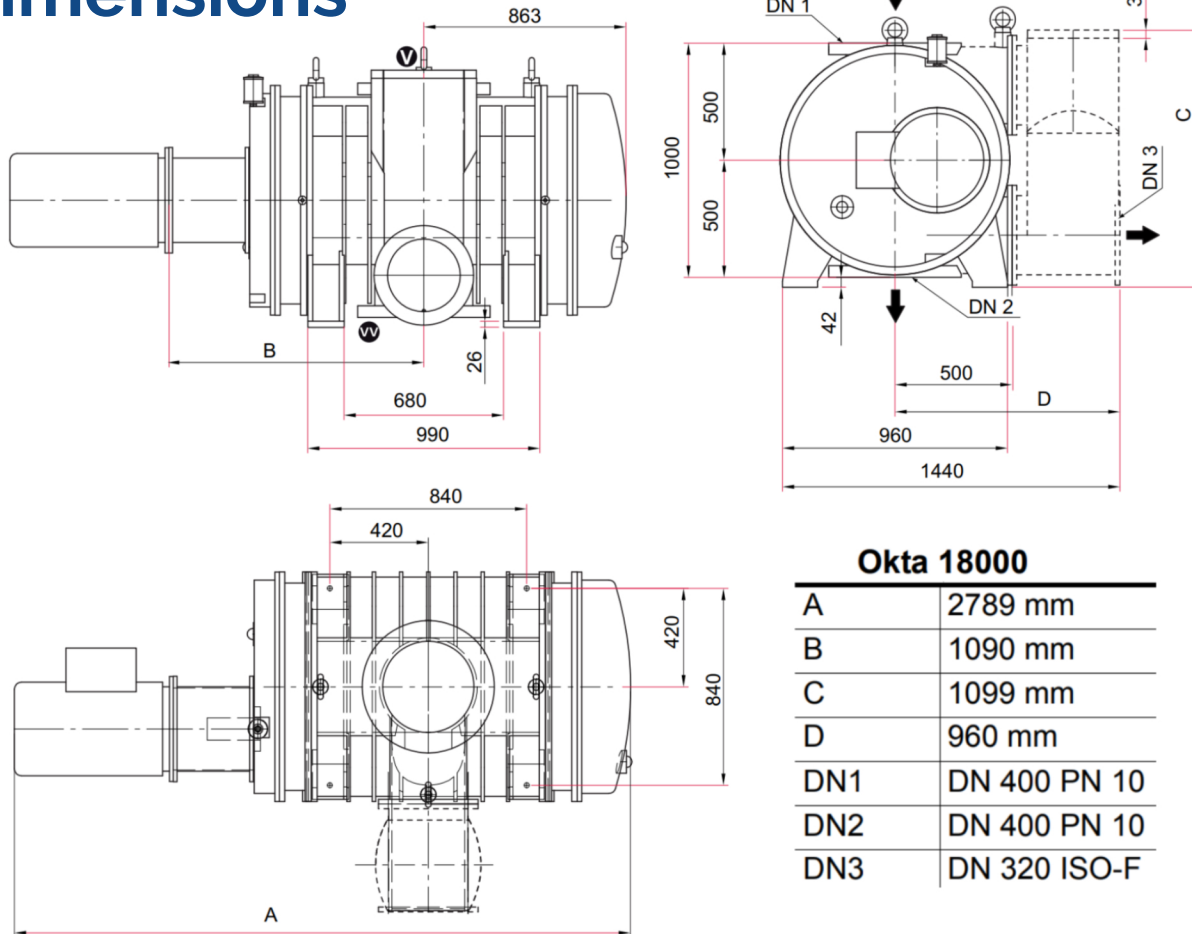
FAX: 831-462-3536

WWW.PROVAC.COM

# Pfeiffer Okta 18000 Pumping Curves



## Dimensions



### Okta 18000

A	2789 mm
B	1090 mm
C	1099 mm
D	960 mm
DN1	DN 400 PN 10
DN2	DN 400 PN 10
DN3	DN 320 ISO-F



# PROVAC

## SALES

PHONE: 831-462-8900

FAX: 831-462-3536

WWW.PROVAC.COM

## Pfeiffer Okta 18000

### Features & Benefits

- low operating costs
- convection cooling
- magnetic coupling
- rugged, compact design
- optimum flexibility and maximum process suitability
- fast evacuation thanks to high compression ratio & overflow valve
- maintenance free, maximum reliability & highest uptime
- integral overflow valve prevents thermal overload
- long service intervals & simple on-site maintenance

### Applications

- metallurgy • simulation chambers • packaging industry • freeze & vacuum-drying • thin-film technology • electron beam welding
- load-locks • chemistry & process technology • industrial leak detection systems • steel degassing

