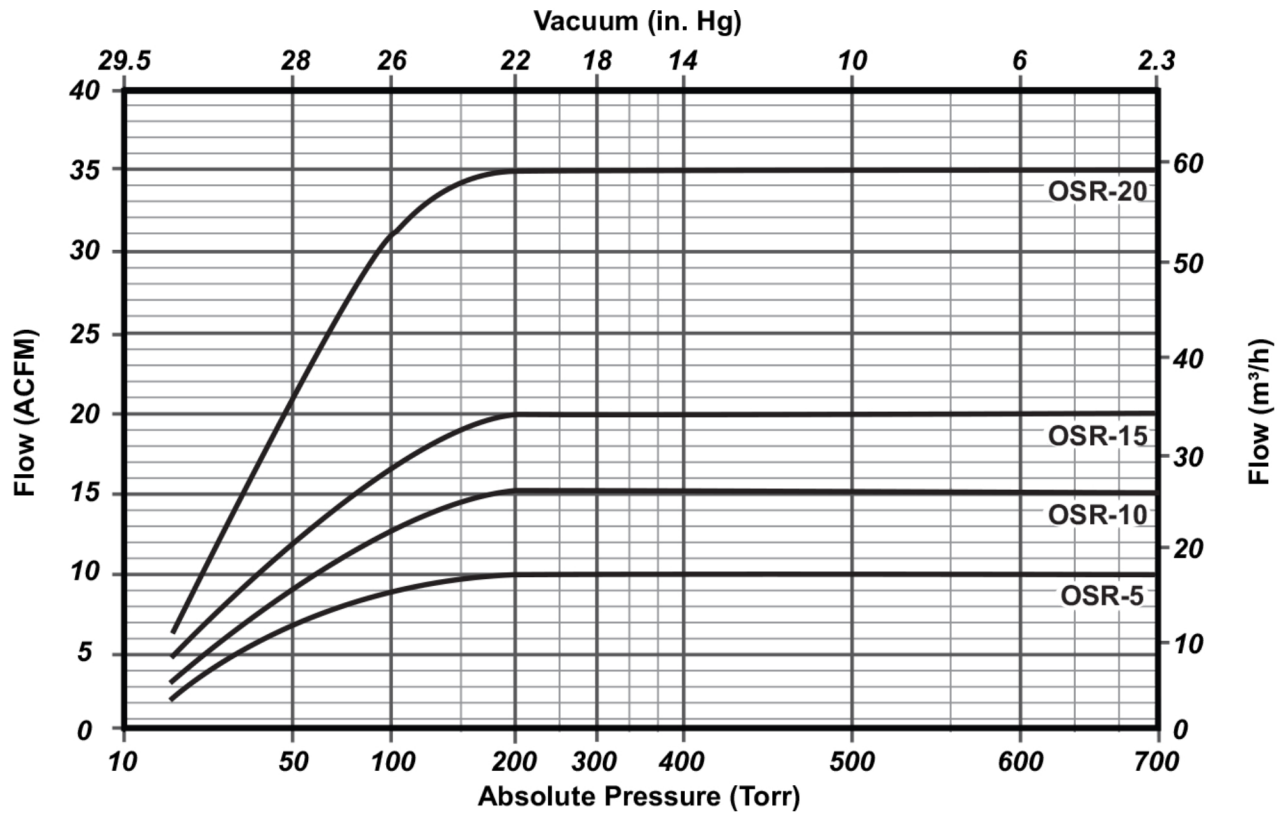




Atlantic Fluidics OSR Package Technical Specifications

	OSR 10	OSR 15	OSR 20	OSR 75	OSR 100	OSR 130	OSR 200	OSR 300
Free Air Displacement (cfm)	15	22	30	75	100	150	200	300
Motor (HP)	1.5	2	3	7.5	10	15	15	20
Rotational Speed (RPM)	3450	3450	3450	1725	1725	1725	1160	1160
Inlet/Outlet Connection (NPT)	1	1	1	2	2	2	3	3
Length (in)	33	33	33	48	48	53	65	65
Width (in)	18	18	18	28	28	28	35	35
Height (in)	29	29	29	54	60	60	78	78
Ultimate Vacuum (torr)	10	10	10	10	10	10	10	10

Pumping Curves





PROVAC

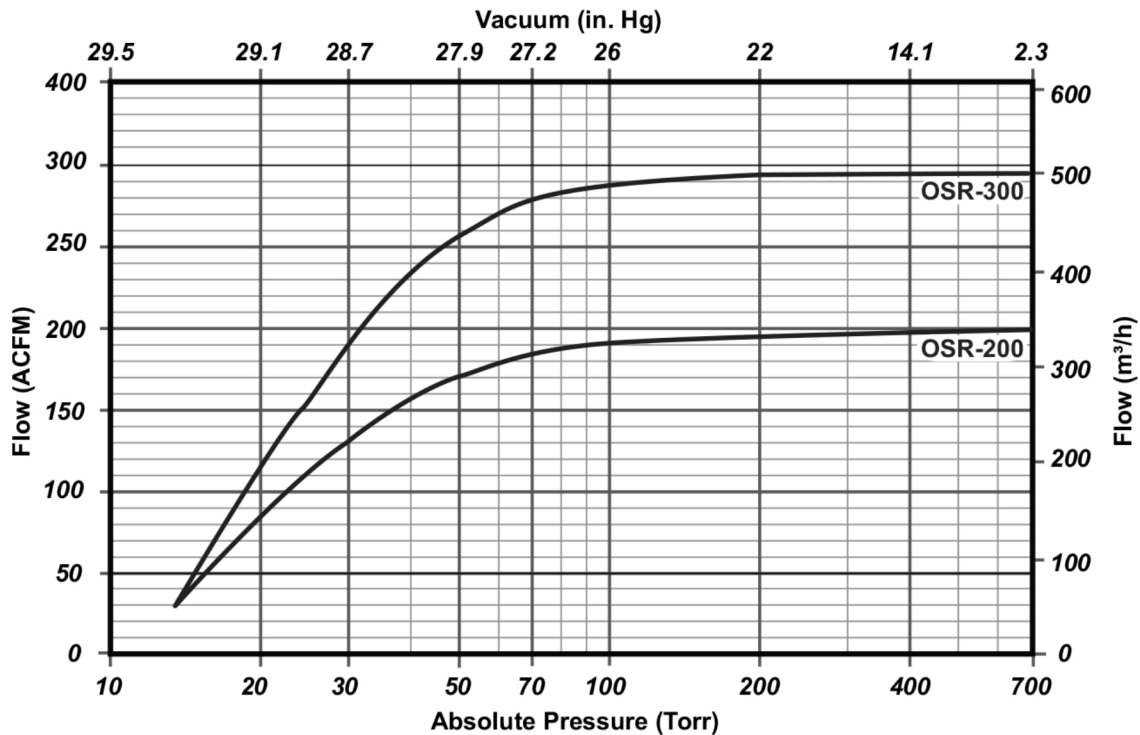
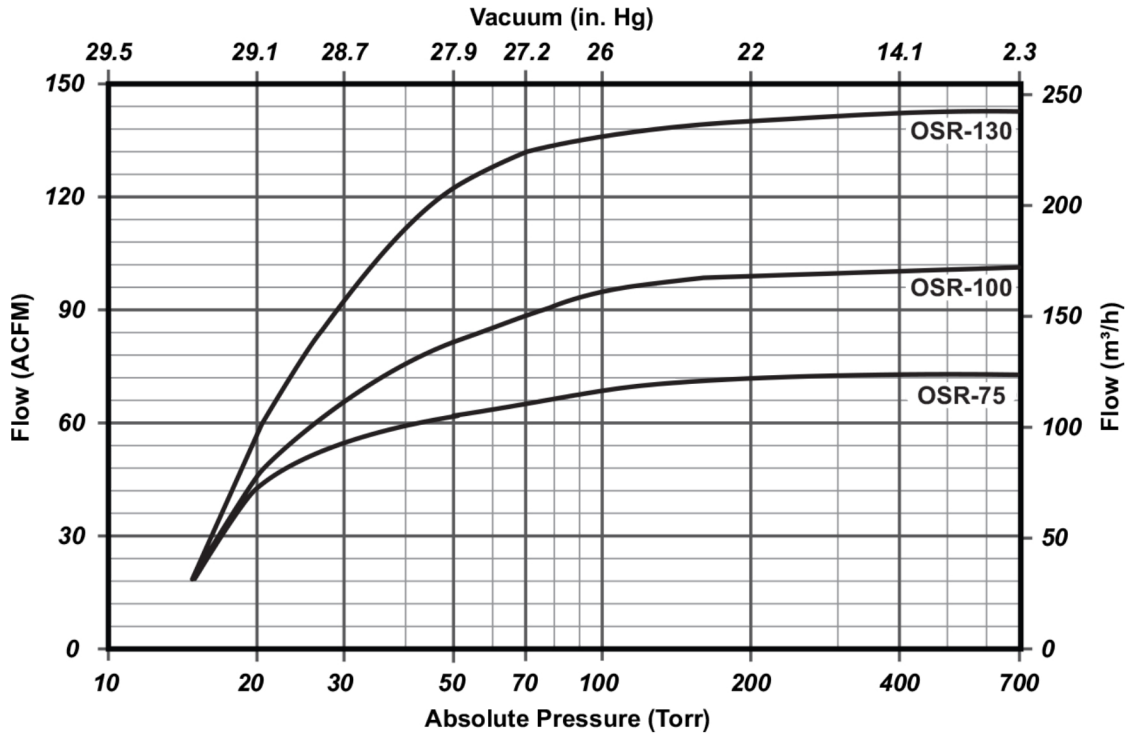
SALES

PHONE: 831-462-8900

FAX: 831-462-3536

WWW.PROVAC.COM

Atlantic Fluidics OSR Package Pumping Curves cont.





PROVAC

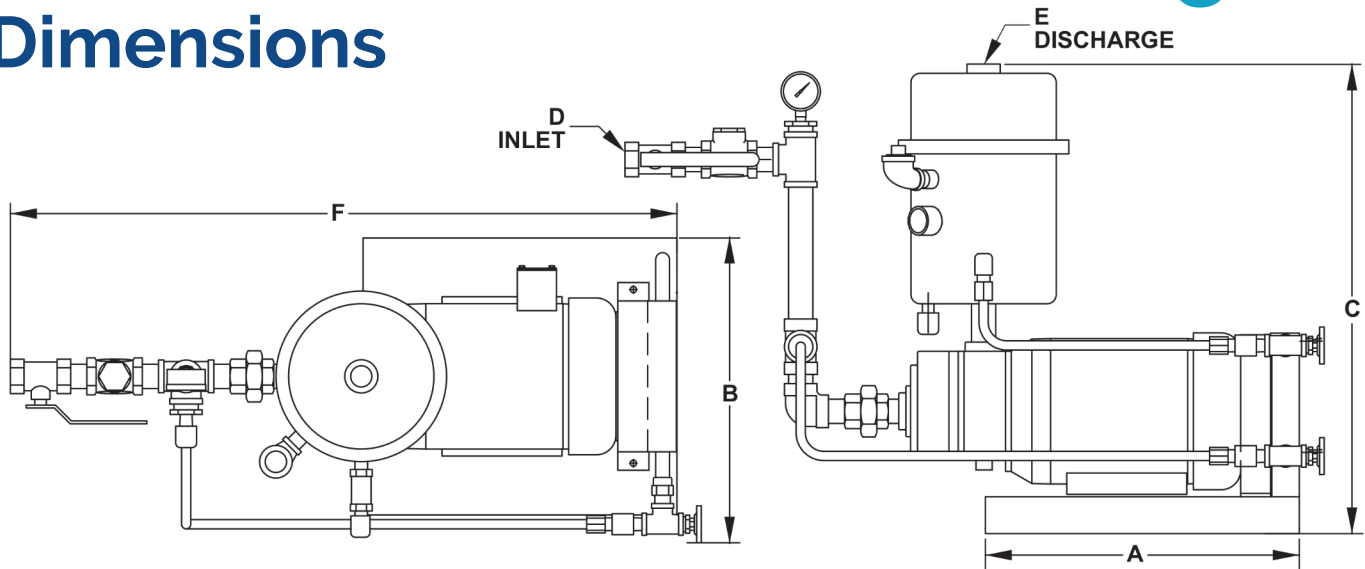
SALES

PHONE: 831-462-8900

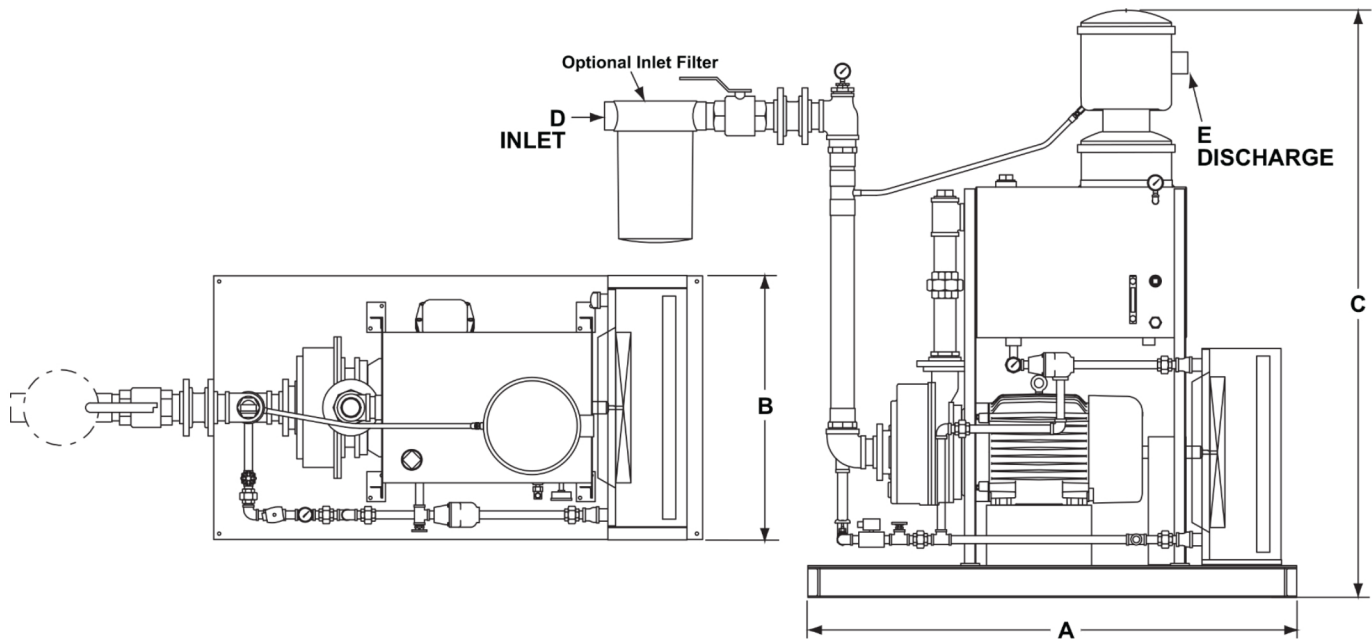
FAX: 831-462-3536

WWW.PROVAC.COM

Atlantic Fluidics OSR Package Dimensions



MODEL inches / mm	A	B	C	D Inlet	E Discharge	F	Weight (lbs. / kg)
OSR-10	17 / 432	16.25 / 413	25.44 / 646	1" NPT	1 1/4" NPT	35.1 / 892	110 / 50
OSR-15	17 / 432	16.25 / 413	25.44 / 646	1" NPT	1 1/4" NPT	35.25 / 895	125 / 57
OSR-20	17 / 432	16.25 / 413	25.44 / 646	1" NPT	1 1/4" NPT	36.75 / 933	135 / 61



MODEL inches / mm	A	B	C	D Inlet	E Discharge	Weight (lbs. / kg)
OSR-75	52 / 1321	29 / 737	58 / 1473	2" NPT	2" NPT	700 / 320
OSR-100	52 / 1321	29 / 737	58 / 1473	2" NPT	2" NPT	750 / 340
OSR-130	52 / 1321	29 / 737	58 / 1473	2" NPT	2" NPT	850 / 390



PROVAC

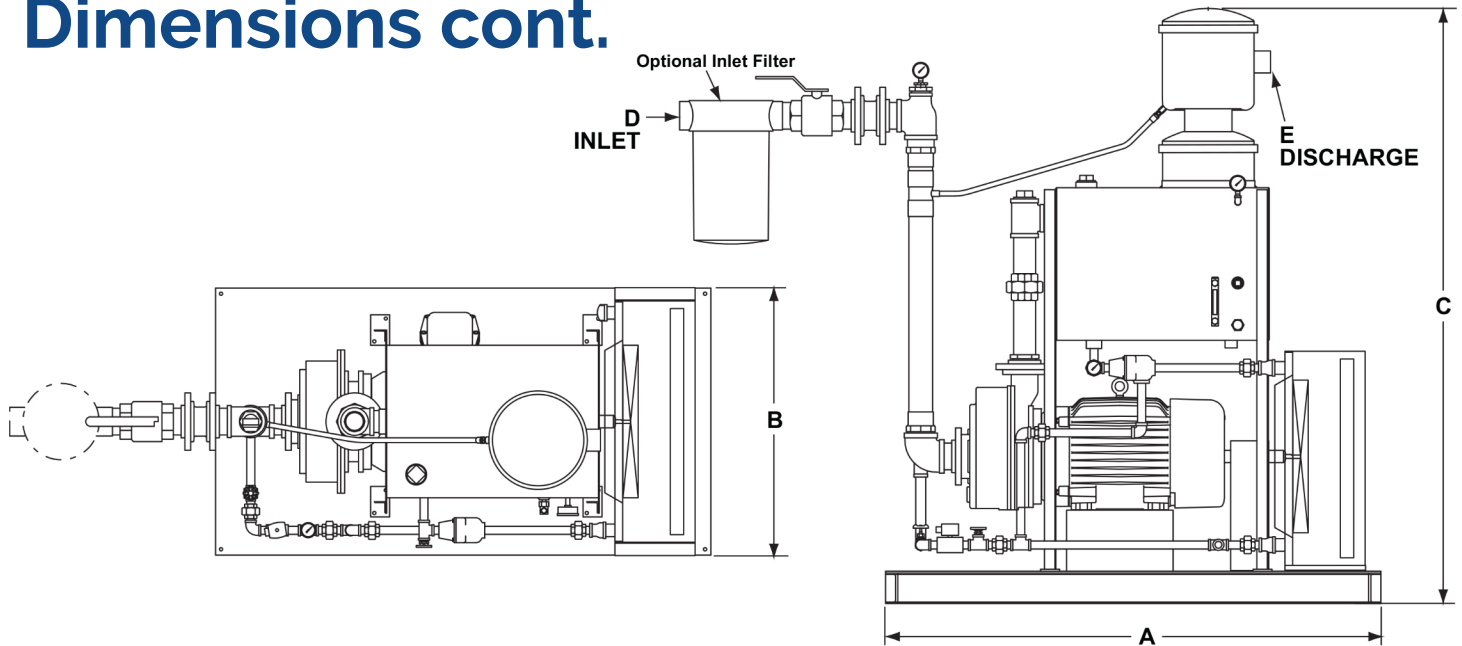
SALES

PHONE: 831-462-8900

FAX: 831-462-3536

WWW.PROVAC.COM

Atlantic Fluidics OSR Package Dimensions cont.



MODEL inches / mm	A	B	C	D Inlet	E Discharge	Weight (lbs. / kg)
OSR-200	66 / 1676	36 / 914	77 / 1956	3" NPT	3" NPT	1480 / 672
OSR-300	66 / 1676	36 / 914	77 / 1956	3" NPT	3" NPT	1500 / 681

Features & Benefits

- axial flow design
- totally self contained package; no external sealant/coolant needed
- close coupled compact design
- robust industrial pump & motor provide years of trouble-free operation
- high efficiency separator minimizes oil carryover
- fully instrumented system
- includes temperature gauges & inlet vacuum gauge
- quiet, vibration free operation
- inlet check valve prevents backflow when system is offline

Applications

- oil sealed recirculation