



Vacuubrand MZ-2NT

Technical Specifications

		MZ 2 NT
Number of heads / stages		2 / 2
Max. pumping speed at 50/60 Hz	m ³ /h	2.2 / 2.4
Max. pumping speed at 50/60 Hz	cfm	1.3 / 1.4
Ultimate vacuum (abs.)	mbar/torr	7 / 5.2
Ambient temperature range (operation)	°C	10 - 40
Ambient temperature range (storage)	°C	-10 - 60
Max. back pressure (abs.)	bar	2
Inlet connection		Hose nozzle DN 8-10 mm
Outlet connection		Silencer / G1/4"
Rated motor power	kW	0.18
Rated motor speed at 50/60 Hz	min-1	1500/1800
Protection class		IP 40
Dimensions (L x W x H)	mm	243 x 239 x 198
Weight	kg	11.0
Noise level at 50 Hz, typ.	dBA	45
NRTL certification		Canada and the USA
ATEX conformity (only 230V)		II 3/- G IIC T3 X Internal Atm. only
Items supplied		Pump completely mounted, ready for use, with manual.
Accessories		Small flange KF DN 16 / G1/4" (20662590) Rubber vacuum tubing DN 8 mm (20686001)



PROVAC

SALES

PHONE: 831-462-8900

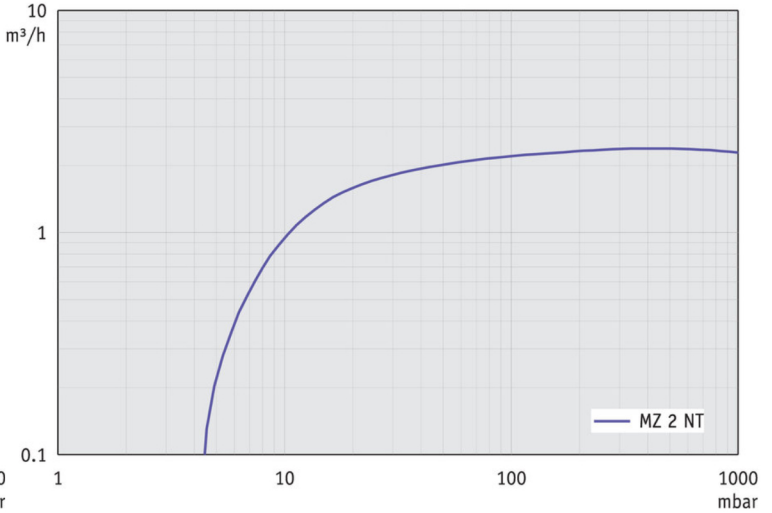
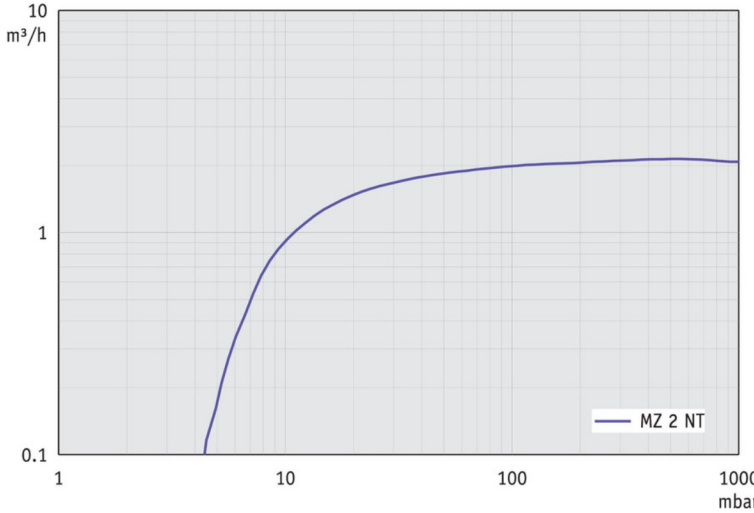
FAX: 831-462-3536

WWW.PROVAC.COM

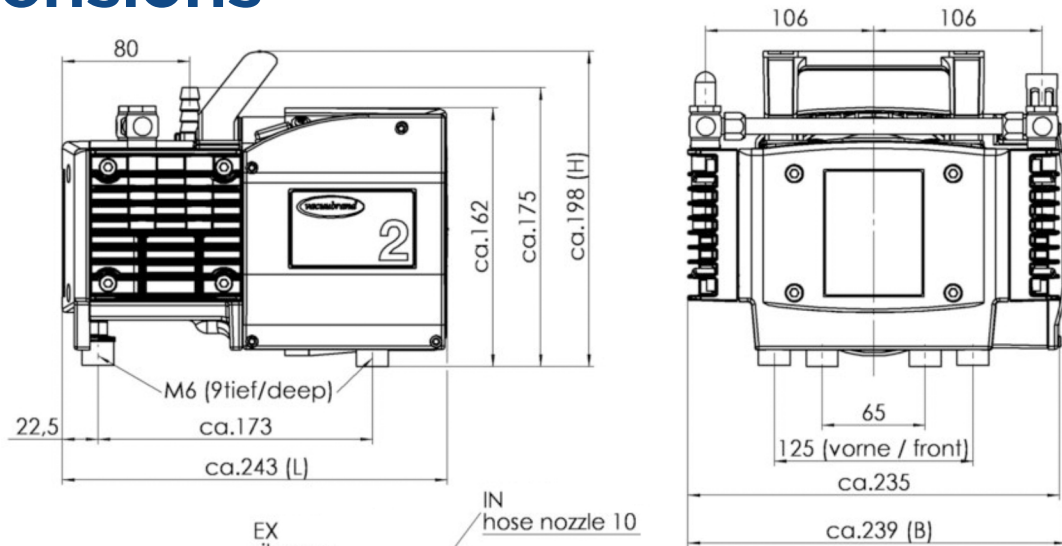
Vacuubrand MZ-2NT Pumping Curves

50Hz

60Hz



Dimensions



all dimensions (mm)

VACUUBRAND MZ 2 NT
Version 2009/03/17



PROVAC

SALES

PHONE: 831-462-8900

FAX: 831-462-3536

WWW.PROVAC.COM

Vacuubrand MZ-2NT Features & Benefits

- continuous, oil-free evacuation & pumping of gases
- good for a wide range of applications for non-corrosive gases
- combination of high pumping speed & low ultimate vacuum
- extended operating life
- further improved performance data
- whisper quiet & very low vibration
- maintenance free drive system
- low lifetime costs

Applications

- drying chambers • filtration & solid phase extraction

