



# Vacuubrand MZ-2DNT

## Technical Specifications

Technical data	Unit	MZ 2D NT
Number of heads / stages		2 / 2
Max. pumping speed at 50/60 Hz	m <sup>3</sup> /h	2.3 / 2.5
Max. pumping speed at 50/60 Hz	cfm	1.4 / 1.5
Ultimate vacuum (abs.)	mbar/torr	4 / 3
Ambient temperature range (operation)	°C	10 - 40
Ambient temperature range (storage)	°C	-10 - 60
Max. back pressure (abs.)	bar	1.1
Inlet connection		Small flange KF DN 16
Outlet connection		Silencer / G1/4"
Rated motor power	kW	0.18
Rated motor speed at 50/60 Hz	min <sup>-1</sup>	1500/1800
Degree of protection		IP 40
Dimensions (L x W x H)	mm	243 x 242 x 198
Weight	kg	11.4
Noise level at 50 Hz, typ.	dBA	47
NRTL certification		Canada and the USA
ATEX conformity (only 230V)		II 3G IIC T3 X Internal Atm. only
Items supplied		Pump completely mounted, ready for use, with manual.
Accessories		Stainless steel tubing KF DN 16 (1000 mm: 673336)



# PROVAC

## SALES

PHONE: 831-462-8900

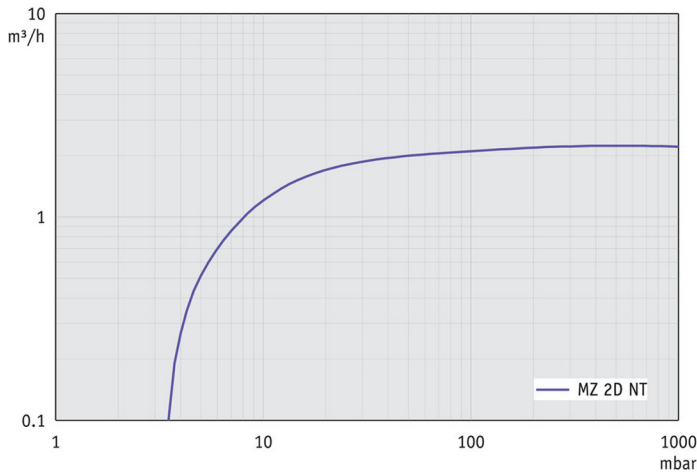
FAX: 831-462-3536

WWW.PROVAC.COM

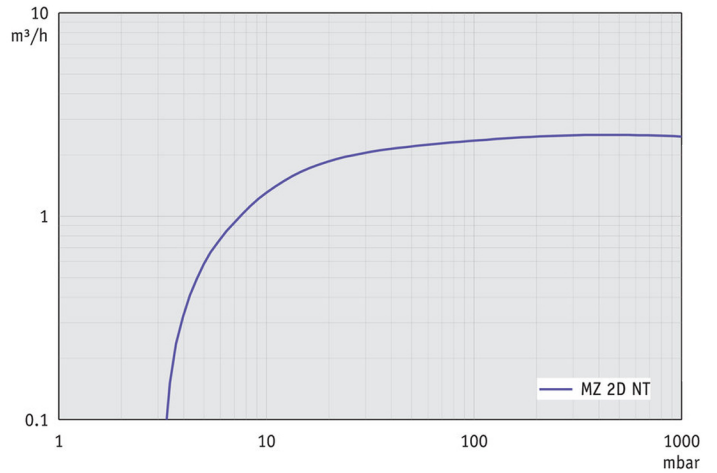
# Vacuubrand MZ-2DNT

## Pumping Curves

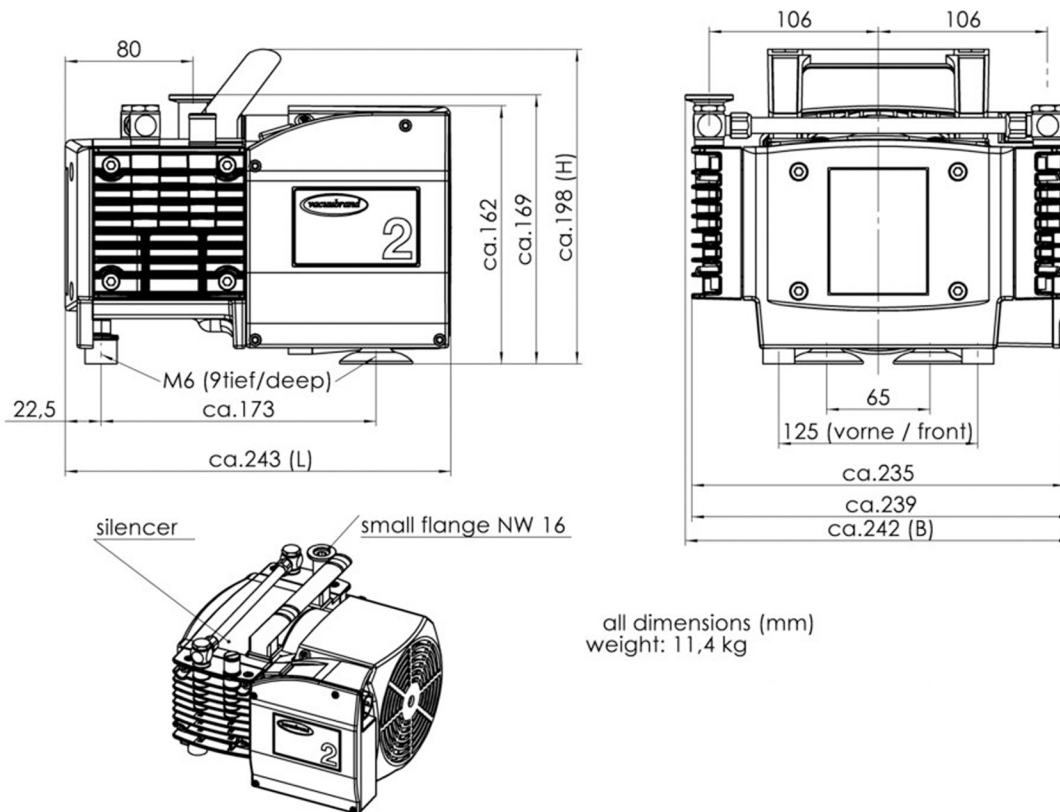
### 50 Hz



### 60 Hz



## Dimensions



all dimensions (mm)  
weight: 11,4 kg



# PROVAC

## SALES

PHONE: 831-462-8900

FAX: 831-462-3536

WWW.PROVAC.COM

## Vacuubrand MZ-2DNT

### Features & Benefits

- whisper quiet, low vibration
- continuous, oil-free pumping
- high pumping speed / very low ultimate vacuum
- superior vapor tolerance
- outstanding chemical resistance
- high process reliability
- minimal operation and servicing costs
- great for clean applications

### Applications

- rotary evaporator • parallel evaporator • vacuum concentrators
- local area vacuum networks for laboratories • drying chambers
- backing pump for turbo drag pump • degassing • physics & analytics

