



PROVAC

SALES

PHONE: 831-462-8900

FAX: 831-462-3536

WWW.PROVAC.COM

Vacuubrand MZ-2C Vario Select

Technical Specifications

	Unit	MZ 2C VARIO select
Vacuum controller		VACUU-SELECT
Number of heads / stages		2 / 2
Max. pumping speed	m ³ /h	2.8
Max. pumping speed	cfm	1.6
Ultimate vacuum (abs.)	mbar/torr	7 / 5
Ultim. vac. (abs.) with gas ballast	mbar/torr	12 / 9
Ambient temperature range (operation)	°C	10 - 40
Ambient temperature range (storage)	°C	-10 - 60
Max. back pressure (abs.)	bar	1.1
Inlet connection		Hose nozzle DN 8-10 mm
Outlet connection		Hose nozzle DN 8-10 mm
Rated motor power	kW	0.53
Motor speed range	min-1	30 - 2400
Degree of protection		IP 20
Dimensions (L x W x H)	mm	243 x 243 x 245
Weight	kg	14.3
Noise level at 50 Hz, typ.	dBA	43
ATEX conformity (only 230V)		II 3/- G IIC T3 X Internal Atm. only
Items supplied		Pumping unit completely mounted, ready for use, with manual.



PROVAC

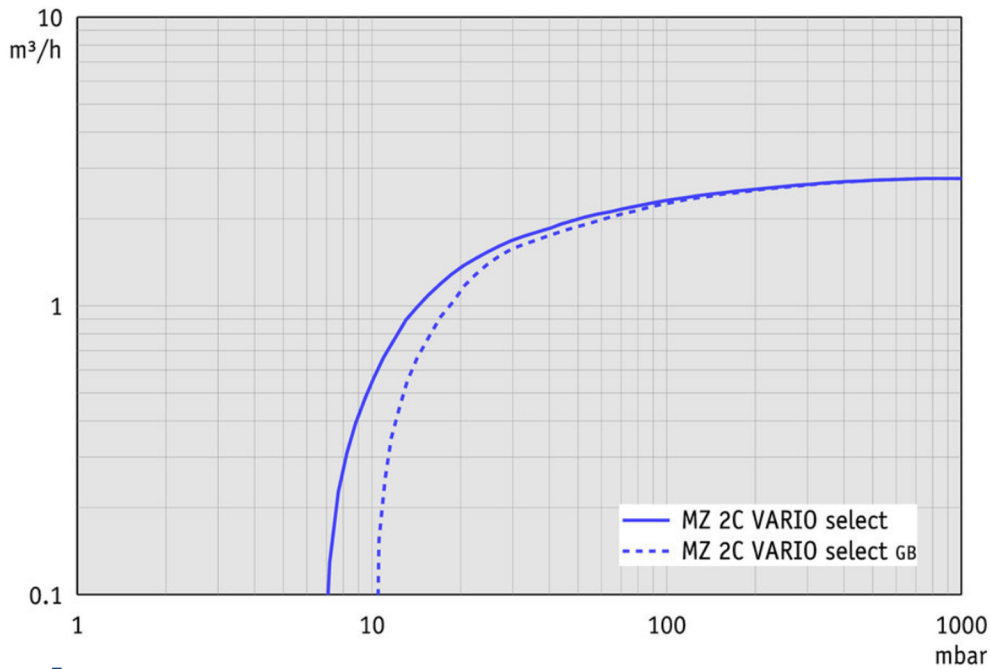
SALES

PHONE: 831-462-8900

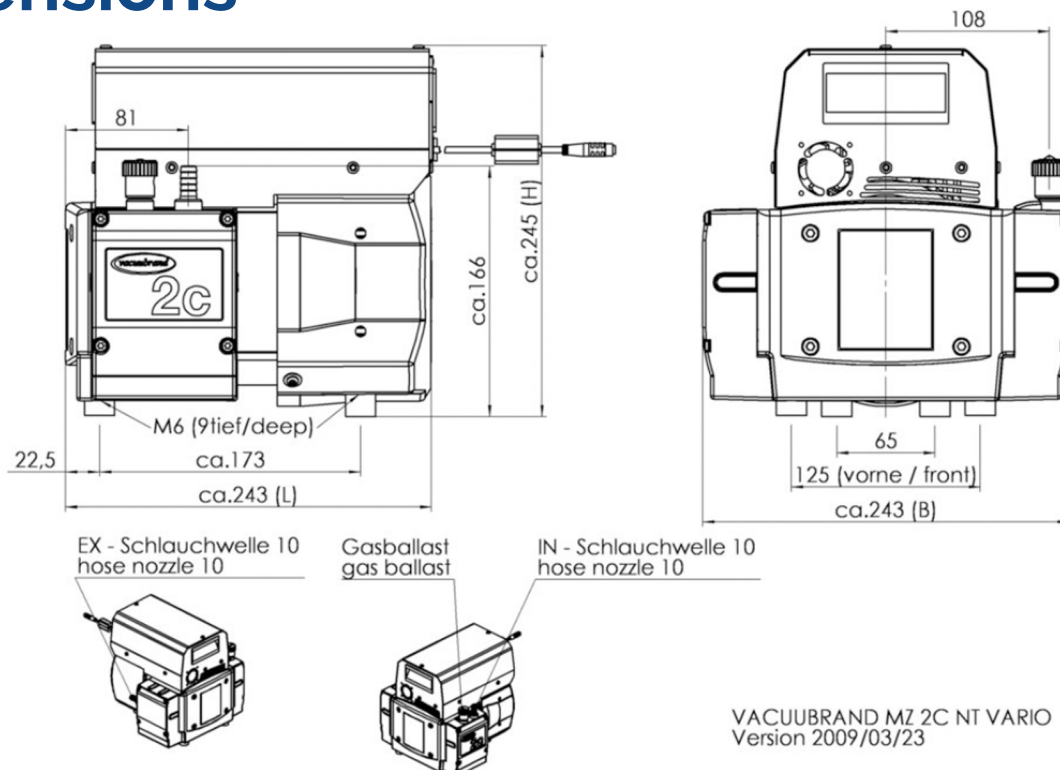
FAX: 831-462-3536

WWW.PROVAC.COM

Vacuubrand MZ-2C Vario Select Pumping Curves



Dimensions





PROVAC

SALES

PHONE: 831-462-8900

FAX: 831-462-3536

WWW.PROVAC.COM

Vacuubrand MZ-2C Vario Select Features & Benefits

- excellent solution for labs working with most common solvents
- integrated controller provides easy to use application based interface
- create your own application with drag & drop editing
- on demand motor speed control
- auto boiling point detection & adjustment of vacuum
- excellent chemical resistance
- minimal operational & servicing costs

Applications

- rotary evaporator • parallel evaporator • vacuum concentrators • gel dryer • solvent evaporation

