



# Vacuubrand MZ-2CNT+AK+EK

## Technical Specifications

|                                       |           | MZ 2C NT +AK+EK  |
|---------------------------------------|-----------|--|
| Number of heads / stages              |           | 2 / 2  |
| Max. pumping speed at 50/60 Hz        | m3/h      | 2.0 / 2.3  |
| Max. pumping speed at 50/60 Hz        | cfm       | 1.2 / 1.4  |
| Ultimate vacuum (abs.)                | mbar/torr | 7 / 5  |
| Ultim. vac. (abs.) with gas ballast   | mbar/torr | 12 / 9   |
| Ambient temperature range (operation) | °C        | 10 - 40  |
| Ambient temperature range (storage)   | °C        | -10 - 60   |
| Max. back pressure (abs.)             | bar       | 1.1  |
| Inlet connection                      |           | Hose nozzle DN 8-10 mm   |
| Outlet connection                     |           | Hose nozzle DN 8-10 mm   |
| Coolant connection                    |           | 2 x hose nozzle DN 6-8 mm  |
| Rated motor power                     | kW        | 0.18   |
| Rated motor speed at 50/60 Hz         | min-1     | 1500/1800  |
| Protection class                      |           | IP 40  |
| Dimensions (L x W x H)                | mm        | 326 x 243 x 402  |
| Weight                                | kg        | 14.2   |
| Noise level at 50 Hz, typ.            | dBA       | 45   |
| NRTL certification                    |           | Canada and the USA   |
| ATEX conformity (only 230V)           |           | II 3/- G IIC T3 X Internal Atm. only   |
| Items supplied                        |           | Pumping unit completely mounted, ready for use, with manual.                           |
| Accessories                           |           | Rubber vacuum tubing DN 8 mm (20686001)<br>Upgrade kit manometer with valve (20699906) |



# PROVAC

## SALES

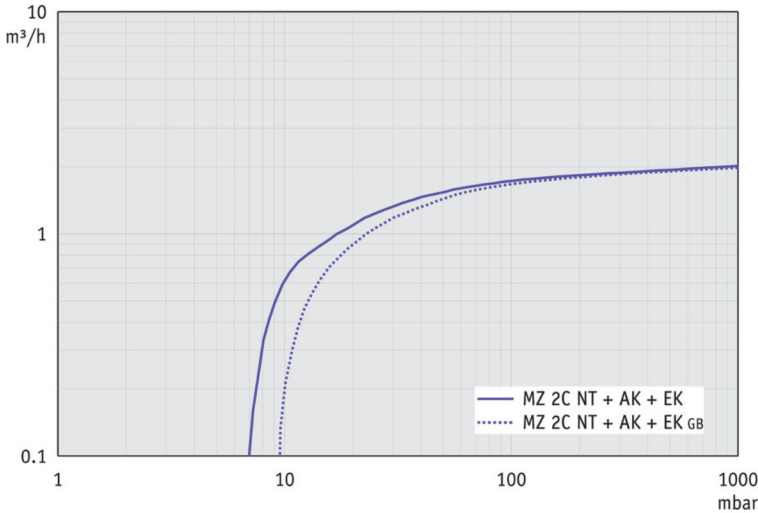
PHONE: 831-462-8900

FAX: 831-462-3536

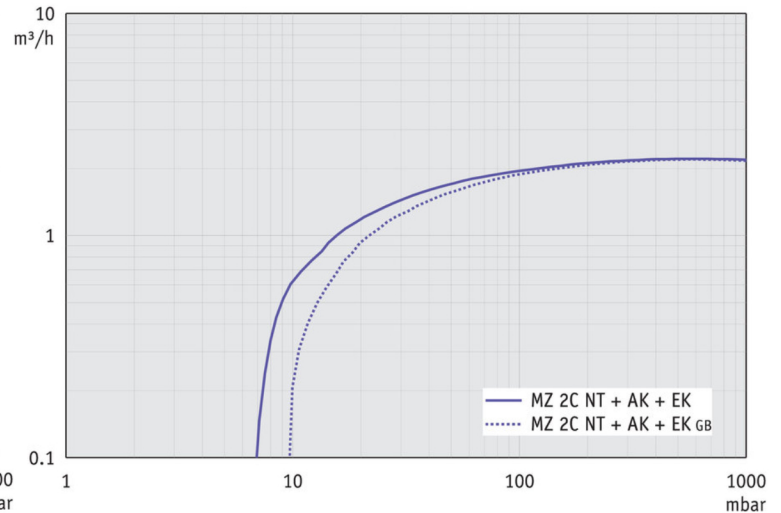
WWW.PROVAC.COM

# Vacuubrand MZ-2CNT+AK+EK Pumping Curves

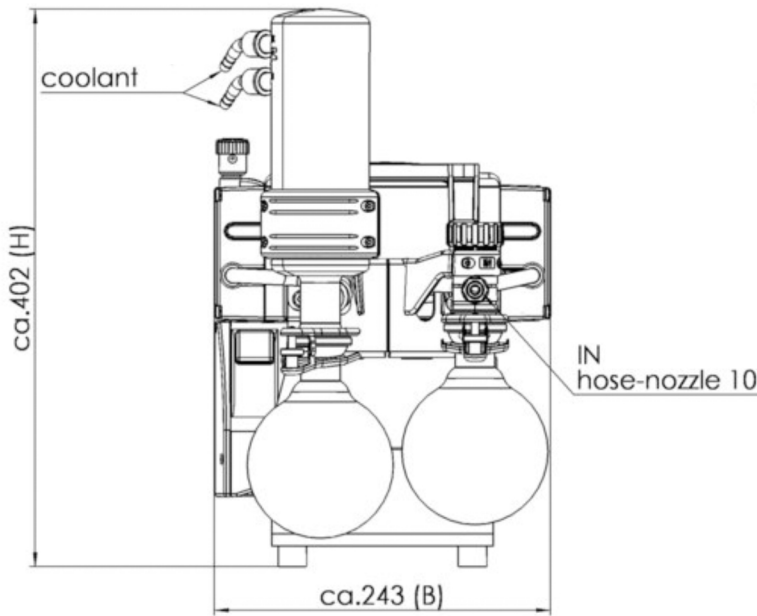
### 50Hz



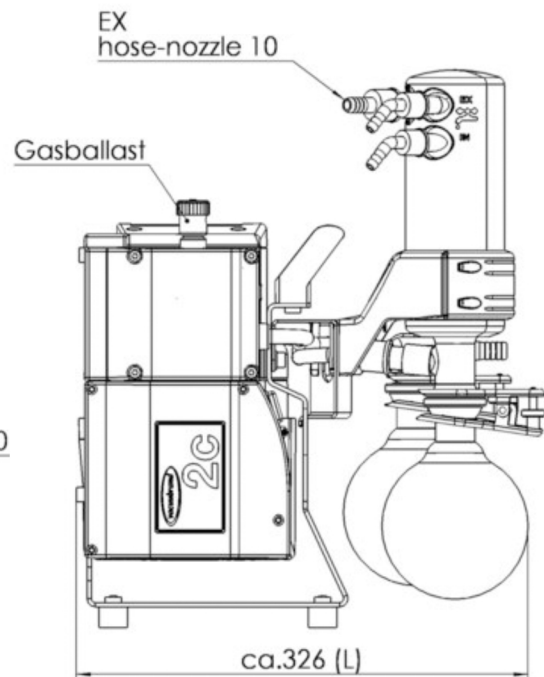
### 60Hz



## Dimensions



all dimensions (mm)  
weight: 14,2 kg



VACUUBRAND MZ 2C NT AK+EK  
Version 2009/03/23



# PROVAC

## SALES

PHONE: 831-462-8900

FAX: 831-462-3536

WWW.PROVAC.COM

## Vacuubrand MZ-2CNT+AK+EK Features & Benefits

- separator at inlet retains particles & liquid droplets
- waste vapor condenser at outlet is highly efficient & compact
- enables almost 100% solvent recovery, efficient recycling, & active protection of the environment
- outstanding chemical resistance & superior vapor tolerance
- high performance even at low vacuum levels
- whisper quiet & very low vibration

## Applications

- rotary evaporator • vacuum concentrators • drying chambers
- gel dryer • evacuation • gas & vapor pumping in chemical, biological & pharmaceutical laboratories

