



PROVAC

SALES

PHONE: 831-462-8900

FAX: 831-462-3536

WWW.PROVAC.COM

Pfeiffer MVP 070-3C Technical Specifications

	MVP 070-3 C, Diaphragm pump, 100–230 V, 50/60 Hz
Pumping speed at 50 Hz	3.4 m ³ /h 2 cfm 56.67 l/min
Pumping speed at 60 Hz	3.8 m ³ /h 2.24 cfm 63.33 l/min
Ultimate pressure with gas ballast	3 hPa 2.25 Torr 3 mbar
Ultimate pressure without gas ballast	1.5 hPa 1.12 Torr 1.5 mbar
Flange (in)	DN 16 ISO-KF
Number of pumping stages	4
Flange (out)	Hose clamp 10 mm
Motor version	1-ph motor
Rated current absorption	5.7 A
Protection category	IP40
Operating altitude, max.	2000 m
Cooling method, standard	Air
Motor protection	Thermal winding protection
Ambient temperature	10-40 °C 50-104 °F 283-313 K
Temperature: Storage	-10-60 °C 14-140 °F 263-333 K
Intake pressure max.	1,100 hPa 825 Torr 1,100 mbar
Exhaust pressure, max.	1,100 hPa 825 Torr 1,100 mbar
Sound pressure level	50 dB(A)
Switch	Yes
Corrosive gas version	YES
Gas ballast	Yes
Leak rate	≤ 2 · 10 ⁻³ Pa m ³ /s ≤ 1.5 · 10 ⁻² Torr l/s ≤ 2 · 10 ⁻² mbar l/s
Weight	14.3 kg 31.53 lb



PROVAC

SALES

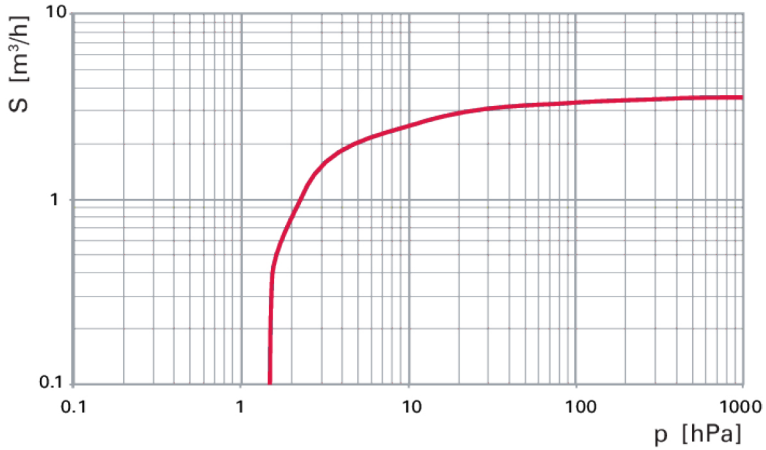
PHONE: 831-462-8900

FAX: 831-462-3536

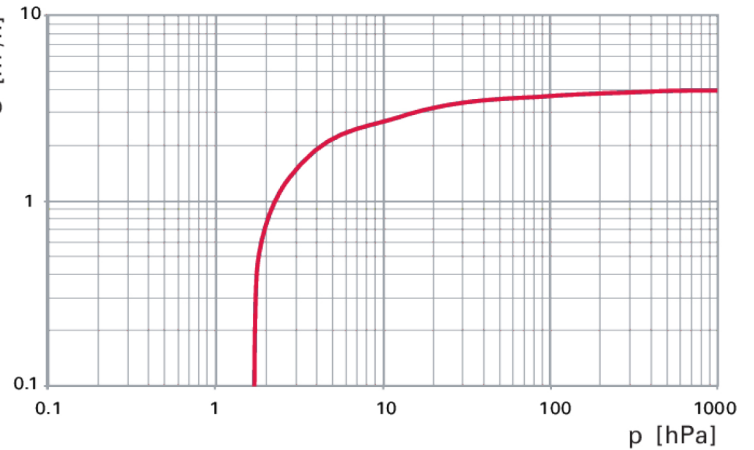
WWW.PROVAC.COM

Pfeiffer MVP 070-3C Pumping Curves

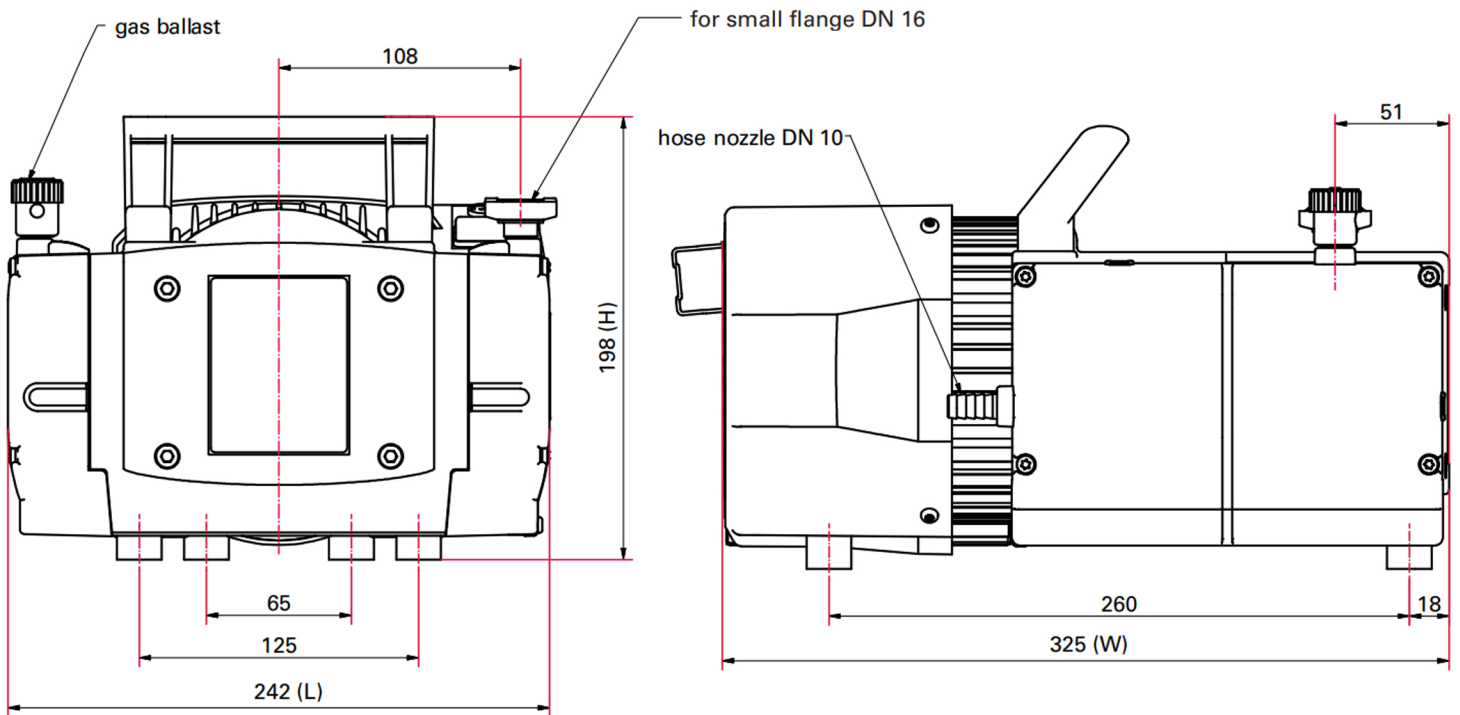
50Hz



60Hz



Dimensions





PROVAC

S A L E S

PHONE: 831-462-8900

FAX: 831-462-3536

WWW.PROVAC.COM

Pfeiffer MVP 070-3C

Features & Benefits

- ideal backing pump for turbos
- absolutely dry & oil-free vacuum
- long lifespan
- compact design
- low vibration & sound
- high operating safety
- maintenance friendly through easy diaphragm & valve exchange

Applications

- backing pump for turbos • systems & pumping stations • laboratories
- research & development • analytics • chemical industry • leak detection • clean & dry vacuum applications

