



Pfeiffer MVP 070-3

Technical Specifications

	MVP 070-3 , Diaphragm pump, 100–230 V, 50/60 Hz
Ambient temperature	10-40 °C 50-104 °F 283-313 K
Cooling method, standard	Air
Emission sound pressure level without gas ballast or purge	≤ 55 dB(A)
Exhaust pressure, max.	1,100 hPa 825 Torr 1,100 mbar
Flange (in)	G ¼" elbow union with enclosed hose 10/8, 100 0 mm with an elbow union in G ¼" at the end
Flange (out)	G 1/8" + silencer
Intake pressure max.	1,100 hPa 825 Torr 1,100 mbar
Leak rate	≤ 2 · 10 ⁻³ Pa m ³ /s
Mains requirement: voltage (range)	±10 %
Mains requirement: voltage 50 Hz	100 – 115/200 – 230 V
Mains requirement: voltage 60 Hz	100 – 115/120/200 – 230 V
Motor version	DC motor
Number of pumping stages	4
Operating altitude, max.	2000 m
Protection category	IP40
Pumping speed at 50 Hz	3.8 m ³ /h
Pumping speed at 60 Hz	4.3 m ³ /h
Rated current absorption	5.7 A
Rotation speed at 50 Hz	1,500 rpm 1,500 min ⁻¹
Rotation speed at 60 Hz	1,800 rpm 1,800 min ⁻¹
Switch New	Yes
Temperature: Storage	-10-60 °C 14-140 °F 263-333 K
Ultimate pressure without gas ballast	1 hPa 0.75 Torr 1 mbar
Weight	16.4 kg 36.16 lb



PROVAC

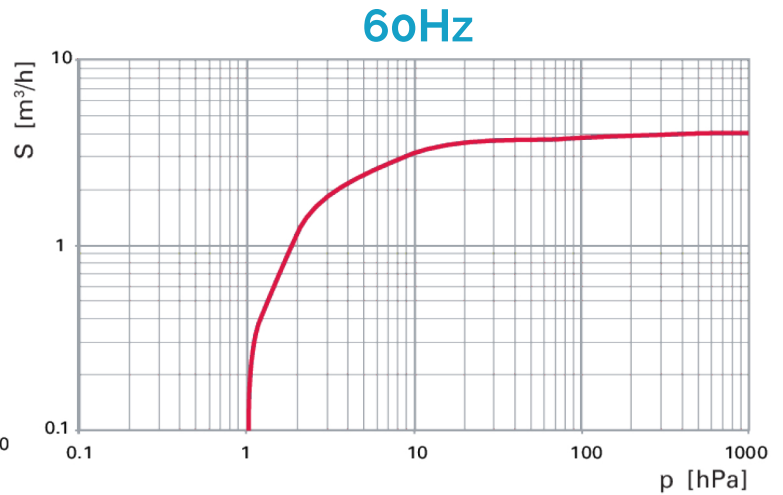
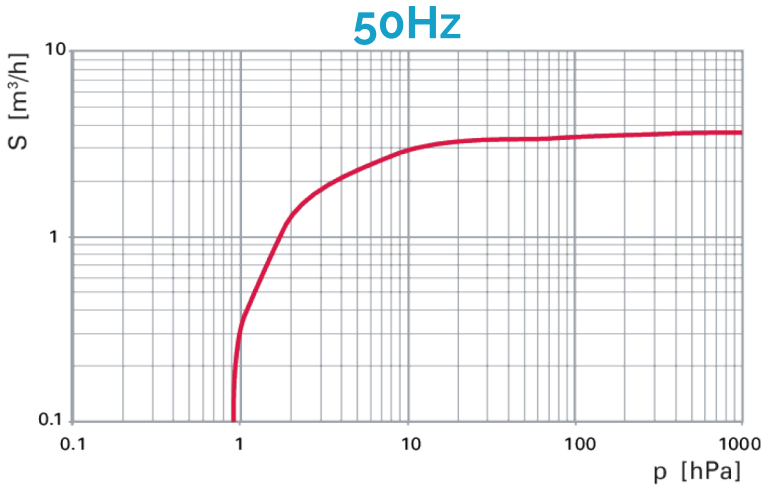
SALES

PHONE: 831-462-8900

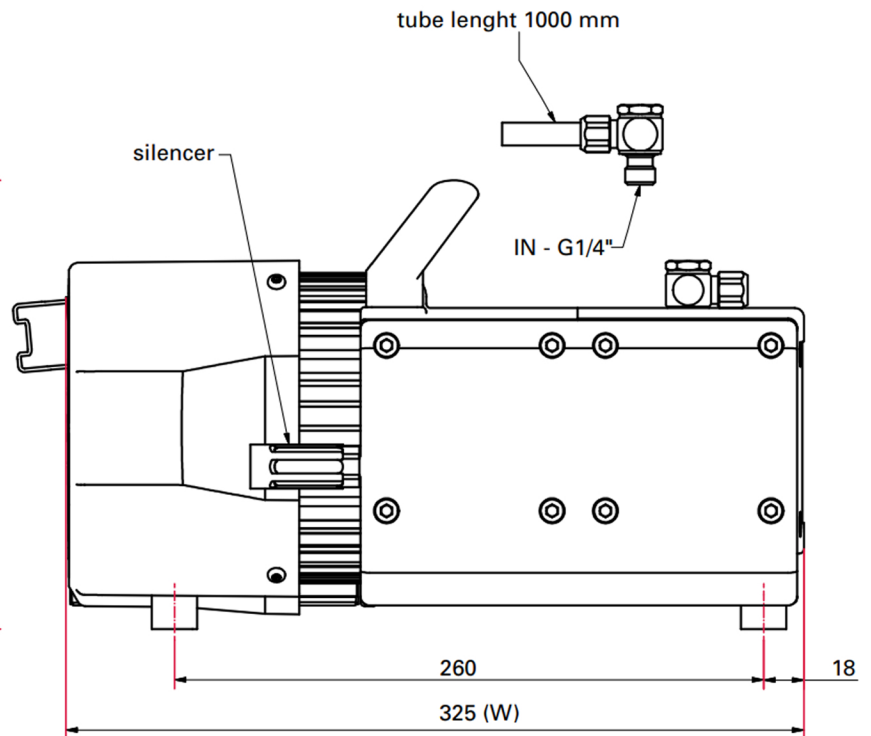
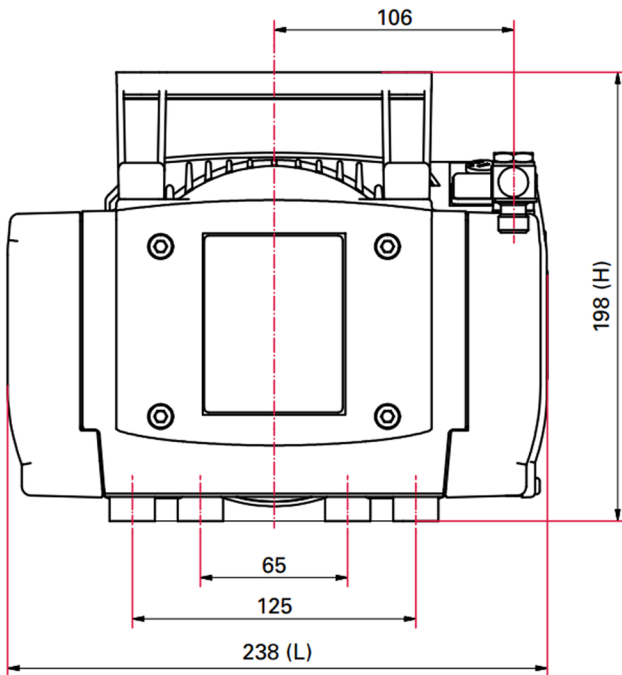
FAX: 831-462-3536

WWW.PROVAC.COM

Pfeiffer MVP 070-3 Pumping Curves



Dimensions





PROVAC

S A L E S

PHONE: 831-462-8900

FAX: 831-462-3536

WWW.PROVAC.COM

Pfeiffer MVP 070-3

Features & Benefits

- ideal backing pump for turbos
- absolutely dry & oil-free vacuum
- long lifespan
- compact design
- low vibration & sound
- high operating safety
- maintenance friendly through easy diaphragm & valve exchange

Applications

- backing pump for turbos • systems & pumping stations • laboratories
- research & development • analytics • chemical industry • leak detection • clean & dry vacuum applications

