



Pfeiffer MVP 030-3 DC

Technical Specifications

MVP 030-3 DC, Diaphragm pump, 24 V DC	
Ambient temperature	10-40 °C 50-104 °F 283-313 K
Cooling method, standard	Convection cooled
Current max.	5.5 A
Dimensions (L x W x H)	223 x 145 x 217 mm 8.78 x 5.71 x 8.54 inch
Emission sound pressure level without gas ballast or purge	≤ 48 dB(A)
Exhaust pressure, max.	1,100 hPa 825 Torr 1,100 mbar
Flange (in)	G 1/8" + hose wave DN 6
Flange (out)	G 1/8" + silencer
Intake pressure max.	1,100 hPa 825 Torr 1,100 mbar
Leak rate	≤ 1 · 10 ⁻² Pa m ³ /s
Motor version	DC motor
Number of pumping stages	4
Operating altitude, max.	2000 m
Protection category	IP20
Pumping speed	1.8 m ³ /h
Rated current absorption	4.5 A
Rotation speed	300-2,400 rpm 300-2,400 min ⁻¹
Switch New	No
Temperature: Storage	-10-60 °C 14-140 °F 263-333 K
Ultimate pressure with gas ballast	3 hPa 2.25 Torr 3 mbar
Ultimate pressure without gas ballast	2.5 hPa 1.88 Torr 2.5 mbar
Voltage: Range	±10 %
Weight	4.3 kg 9.48 lb



PROVAC

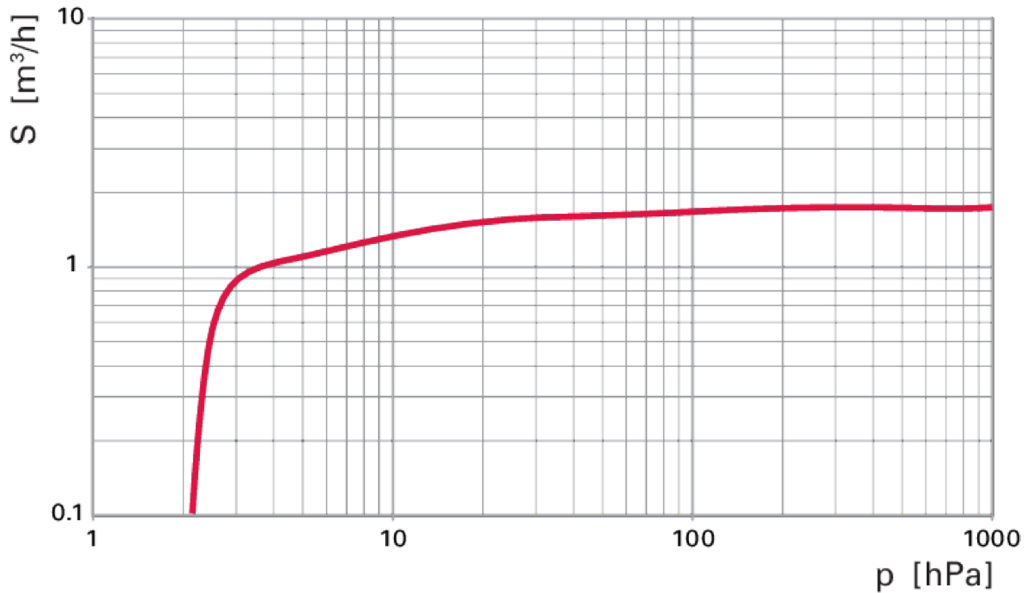
SALES

PHONE: 831-462-8900

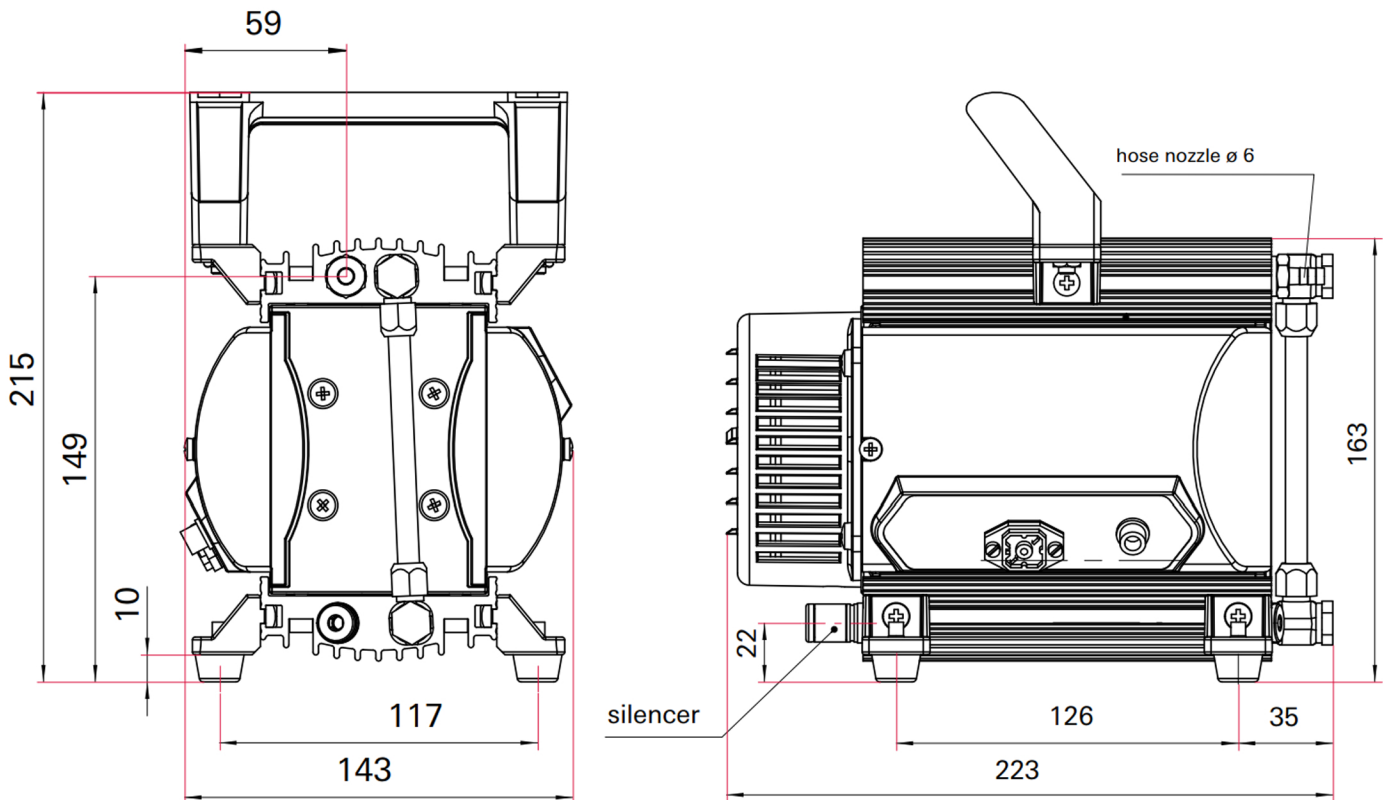
FAX: 831-462-3536

WWW.PROVAC.COM

Pfeiffer MVP 030-3 DC Pumping Curves



Dimensions





PROVAC

S A L E S

PHONE: 831-462-8900

FAX: 831-462-3536

WWW.PROVAC.COM

Pfeiffer MVP 030-3 DC

Features & Benefits

- ideal backing pump for turbos
- absolutely dry & oil-free vacuum
- long lifespan
- compact design
- low vibration & sound
- high operating safety
- maintenance friendly through easy diaphragm & valve exchange

Applications

- backing pump for turbos • systems & pumping stations • laboratories
- research & development • analytics • chemical industry • leak detection • clean & dry vacuum applications

