



Pfeiffer MVP 020-3 AC

Technical Specifications

	MVP 020-3 AC, Diaphragm pump, 100–230 V, 50/60 Hz
Ambient temperature	10-40 °C 50-104 °F 283-313 K
Cooling method, standard	Air
Current max.	1.9 A
Dimensions (L x W x H)	314 x 145 x 217 mm 12.36 x 5.71 x 8.54 inch
Emission sound pressure level without gas ballast or purge	≤ 48 dB(A)
Exhaust pressure, max.	1,100 hPa 825 Torr 1,100 mbar
Flange (in)	G 1/8 + 1m hose DN 8 , nut , red rubber cap
Flange (out)	G 1/8" + silencer
Intake pressure max.	1,100 hPa 825 Torr 1,100 mbar
Leak rate	≤ 1 · 10 ⁻² Pa m ³ /s
Mains requirement: voltage (range)	±10 %
Mains requirement: voltage 50 Hz	100 – 115/200 – 230 V
Mains requirement: voltage 60 Hz	100 – 115/120/200 – 230 V
Motor version	1-ph motor
Number of pumping stages	4
Operating altitude, max.	2000 m
Protection category	IP40
Pumping speed at 50 Hz	1.2 m ³ /h
Pumping speed at 60 Hz	1.4 m ³ /h
Rated current absorption	0.85 A
Rotation speed at 50 Hz	1,500 rpm 1,500 min ⁻¹
Rotation speed at 60 Hz	1,800 rpm 1,800 min ⁻¹
Switch New	Yes
Temperature: Storage	-10-60 °C 14-140 °F 263-333 K
Ultimate pressure with gas ballast	3 hPa 2.25 Torr 3 mbar
Ultimate pressure without gas ballast	2 hPa 1.5 Torr 2 mbar
Weight	6.5 kg 14.33 lb



PROVAC

SALES

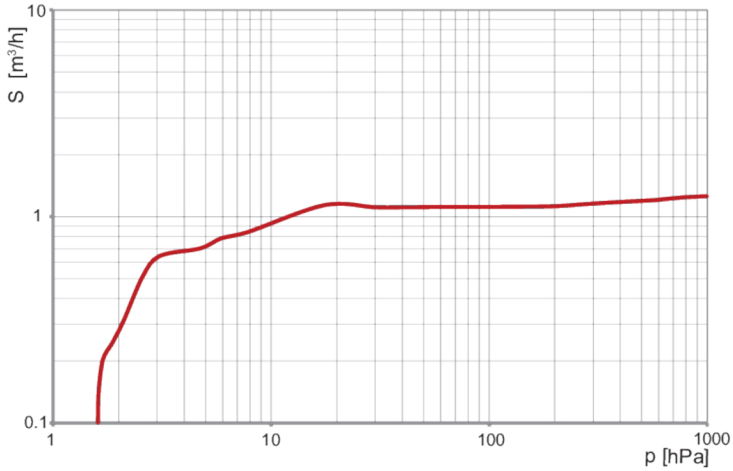
PHONE: 831-462-8900

FAX: 831-462-3536

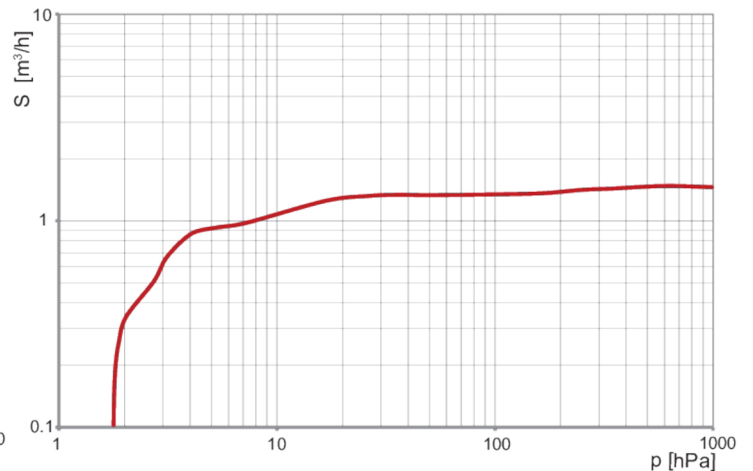
WWW.PROVAC.COM

Pfeiffer MVP 020-3 AC Pumping Curves

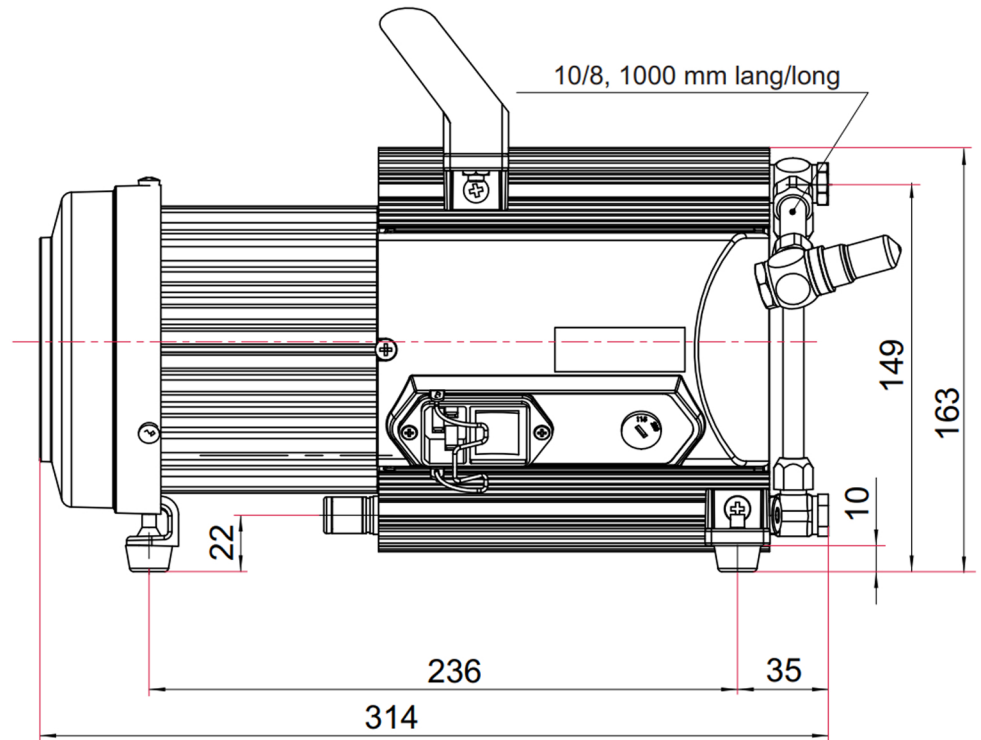
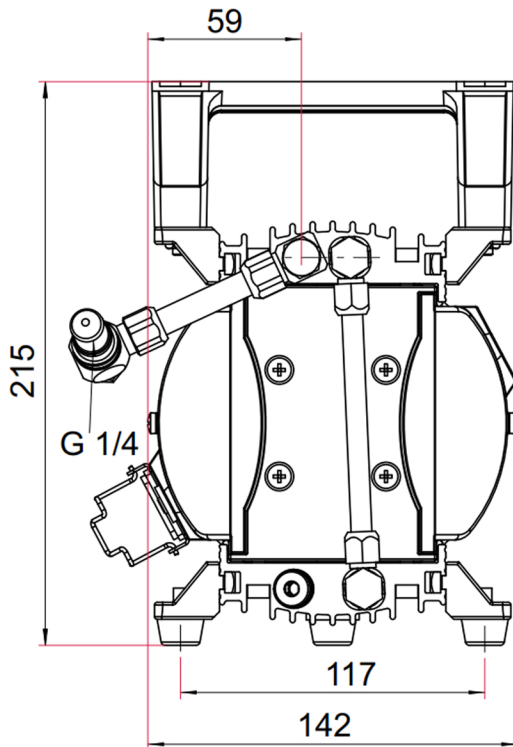
50Hz



60Hz



Dimensions





PROVAC

SALES

PHONE: 831-462-8900

FAX: 831-462-3536

WWW.PROVAC.COM

Pfeiffer MVP 020-3 AC

Features & Benefits

- ideal backing pump for turbos
- absolutely dry & oil-free vacuum
- long lifespan
- compact design
- low vibration & sound
- high operating safety
- maintenance friendly through easy diaphragm & valve exchange

Applications

- backing pump for turbos • systems & pumping stations • laboratories
- research & development • analytics • chemical industry • leak detection • clean & dry vacuum applications

