



## Pfeiffer MVP 015-4

### Technical Specifications

MVP 015-4, Diaphragm pump, 120 V, 60 Hz	
Flange (in)	DN 16 ISO-KF; G 1/8"
Flange (out)	G 1/8" + silencer
Intake pressure max.	1,100 hPa   825 Torr   1,100 mbar
Leak rate	$\leq 5 \cdot 10^{-4}$ Pa m <sup>3</sup> /s
Mains cable	Yes
Mains requirement: voltage	120 V
Mains requirement: voltage (range)	$\pm 10$ %
Motor version	1-ph motor
Number of pumping stages	4
Operating altitude, max.	2000 m
Protection category	IP54
Pumping speed at 60 Hz	0.6 m <sup>3</sup> /h
Rated current absorption	0.8 A
Rotation speed at 60 Hz	1,800 rpm   1,800 min <sup>-1</sup>
Switch New	No
Temperature: Storage	5-40 °C   41-104 °F   278-313 K
Ultimate pressure without gas ballast	$5 \cdot 10^{-1}$ hPa   $3.75 \cdot 10^{-1}$ Torr   $5 \cdot 10^{-1}$ mbar
Weight	7.5 kg   16.53 lb





# PROVAC

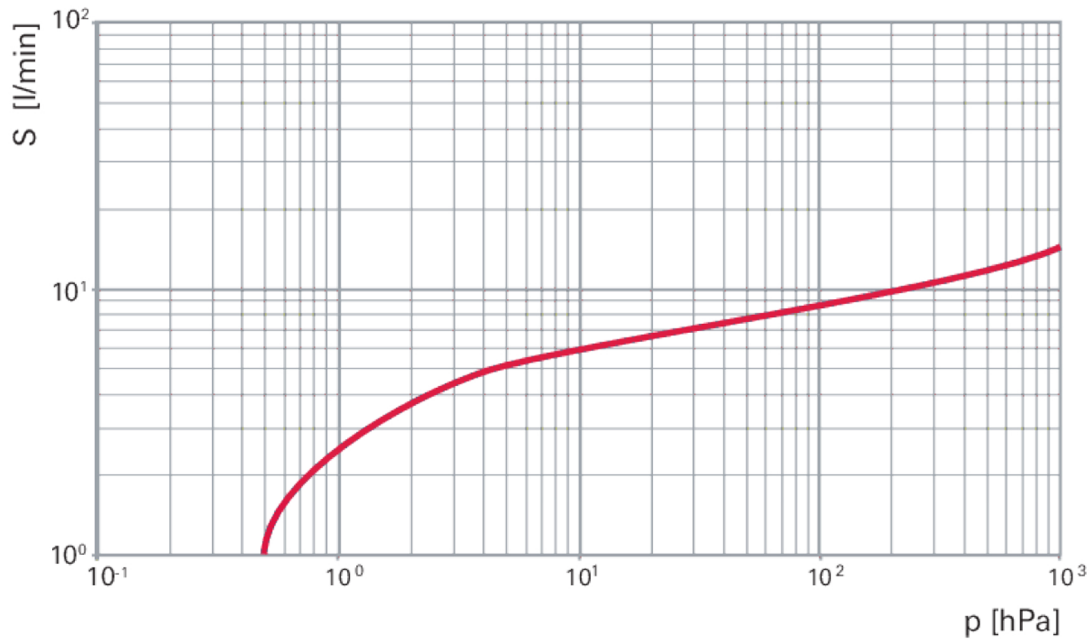
## SALES

PHONE: 831-462-8900

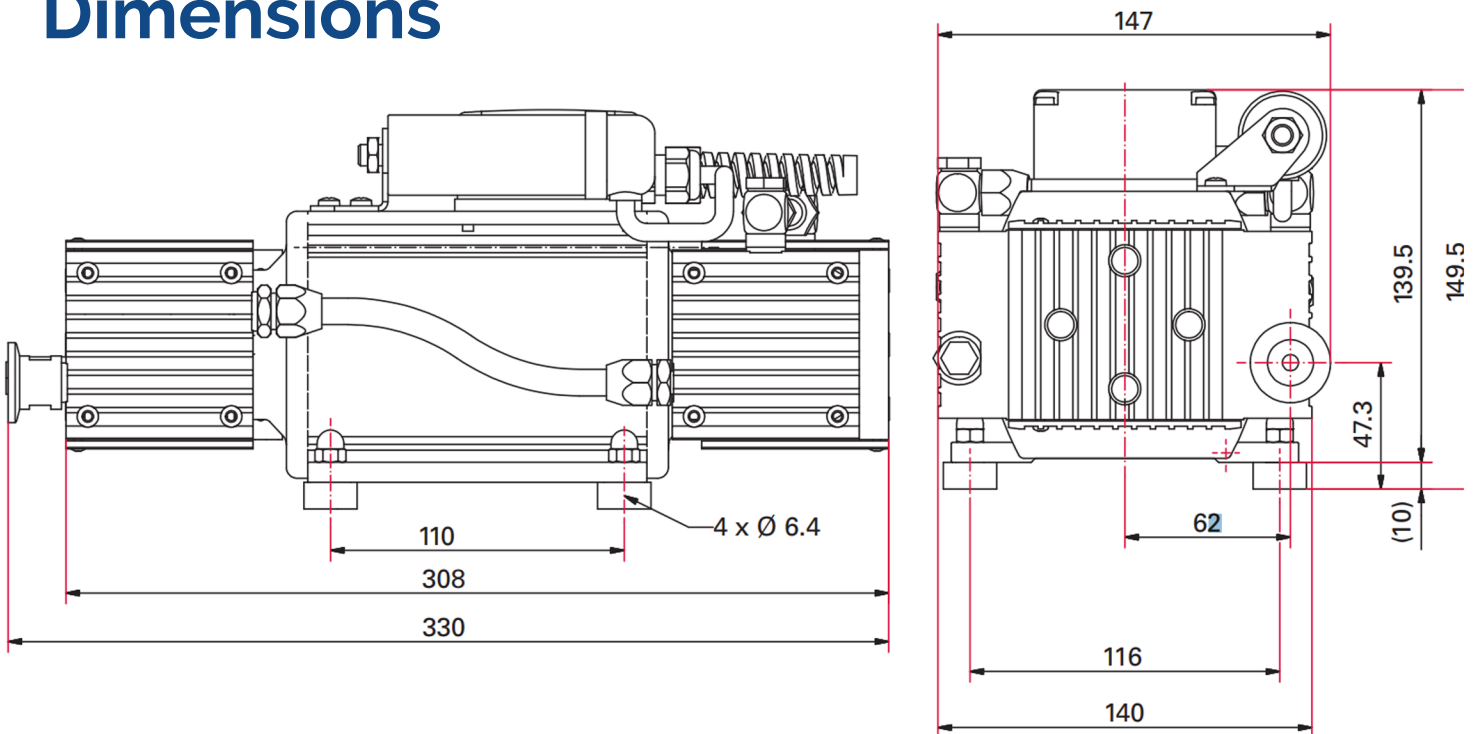
FAX: 831-462-3536

WWW.PROVAC.COM

## Pfeiffer MVP 015-4 Pumping Curves



## Dimensions





# PROVAC

## S A L E S

PHONE: 831-462-8900

FAX: 831-462-3536

WWW.PROVAC.COM

---

## Pfeiffer MVP 015-4

### Features & Benefits

- ideal backing pump for turbos
- absolutely dry & oil-free vacuum
- long lifespan
- compact design
- low vibration & sound
- high operating safety
- maintenance friendly through easy diaphragm & valve exchange

### Applications

- backing pump for turbos • systems & pumping stations • laboratories
- research & development • analytics • chemical industry • leak detection • clean & dry vacuum applications