



PROVAC

SALES

PHONE: 831-462-8900

FAX: 831-462-3536

WWW.PROVAC.COM

Pfeiffer MVP 015-2 Technical Specifications

	MVP 015-2 , Diaphragm pump, 100–236 V, 50/60 Hz
Pumping speed at 50 Hz	0.5 m ³ /h 0.29 cfm 8.33 l/min
Pumping speed at 60 Hz	0.7 m ³ /h 0.41 cfm 11.67 l/min
Ultimate pressure with gas ballast	4.5 hPa 3.38 Torr 4.5 mbar
Ultimate pressure without gas ballast	3.5 hPa 2.62 Torr 3.5 mbar
Flange (in)	G 1/8" elbow union + enclosed hose DN 6 x 100 0 mm with a straight union in G 1/4" at the end
Number of pumping stages	2
Flange (out)	G 1/8" with silencer
Motor version	1-ph motor
Rated current absorption	1.1 A
Protection category	IP20
Operating altitude, max.	2000 m
Cooling method, standard	Air
Ambient temperature	12-40 °C 53.6-104 °F 285-313 K
Temperature: Storage	5-40 °C 41-104 °F 278-313 K
Intake pressure max.	1,100 hPa 825 Torr 1,100 mbar
Exhaust pressure, max.	1,100 hPa 825 Torr 1,100 mbar
Sound pressure level	52 dB(A)
Switch	Yes
Gas ballast	Yes
Leak rate	≤ 5 · 10 ⁻⁴ Pa m ³ /s ≤ 3.75 · 10 ⁻³ Torr l/s ≤ 5 · 10 ⁻³ mbar l/s
Weight	6.5 kg 14.33 lb



PROVAC

SALES

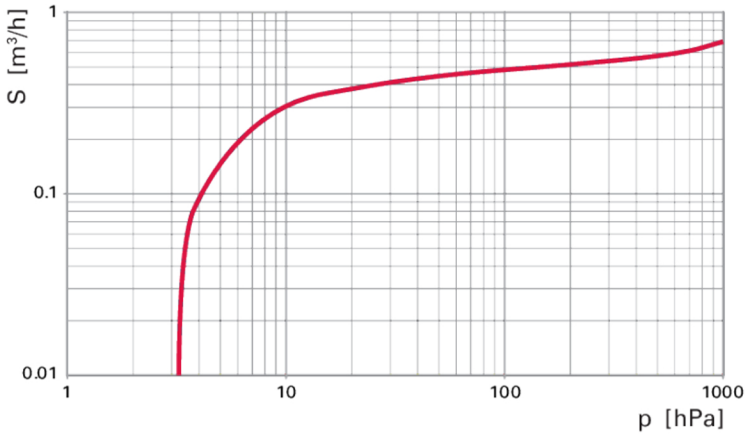
PHONE: 831-462-8900

FAX: 831-462-3536

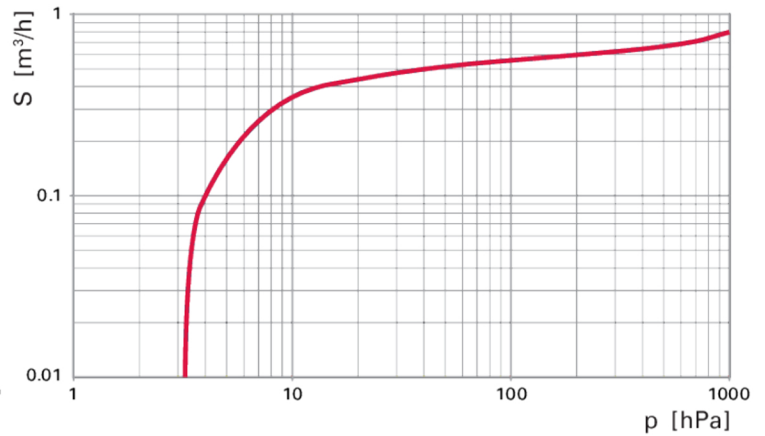
WWW.PROVAC.COM

Pfeiffer MVP 015-2 Pumping Curves

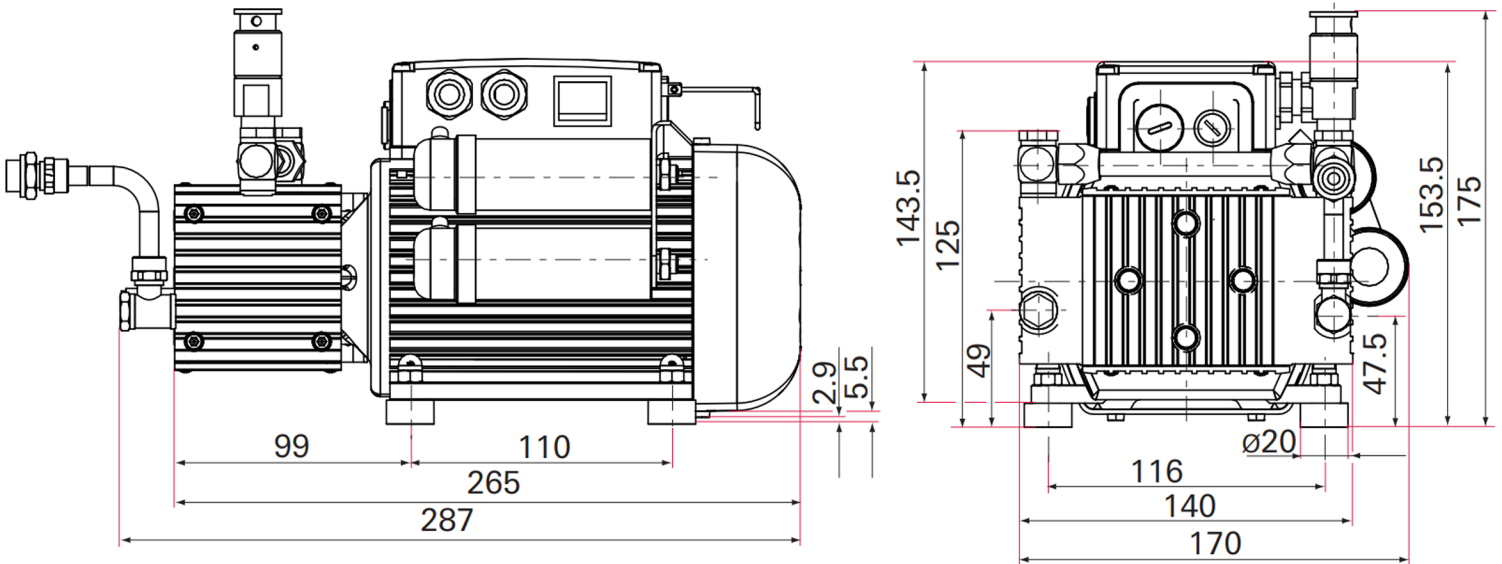
50Hz



60Hz



Dimensions





PROVAC

SALES

PHONE: 831-462-8900

FAX: 831-462-3536

WWW.PROVAC.COM

Pfeiffer MVP 015-2 Features & Benefits

- ideal backing pump for turbos
- absolutely dry & oil-free vacuum
- long lifespan
- compact design
- low vibration & sound
- high operating safety
- maintenance friendly through easy diaphragm & valve exchange

Applications

- backing pump for turbos • systems & pumping stations • laboratories
- research & development • analytics • chemical industry • leak detection • clean & dry vacuum applications

