



# Pfeiffer MVP 010-3

## Technical Specifications

MVP 010-3 DC, Diaphragm pump, 24 V DC	
Ambient temperature	5-40 °C   41-104 °F   278-313 K
Cooling method, standard	Convection cooled
Current max.	2,5 A
Dimensions (L x W x H)	180 x 105 x 99 mm   7.09 x 4.13 x 3.9 inch
Emission sound pressure level without gas ballast or purge	50 dB(A)
Exhaust pressure, max.	1,100 hPa   825 Torr   1,100 mbar
Flange (in)	G 1/8"
Flange (out)	G 1/8" + silencer
Intake pressure max.	1,100 hPa   825 Torr   1,100 mbar
Interfaces	RS-485
Leak rate	$\leq 5 \cdot 10^{-4}$ Pa m <sup>3</sup> /s
Motor version	DC motor
Number of pumping stages	4
Operating altitude, max.	2000 m
Protection category	IP 20
Pumping speed	0.6 m <sup>3</sup> /h
Rated current absorption	1.3 A
Rotation speed	500-3,000 rpm   500-3,000 min <sup>-1</sup>
Short circuit current of power supply, max.	45 A
Switch New	No
Temperature: Storage	5-40 °C   41-104 °F   278-313 K
Ultimate pressure without gas ballast	$\leq 1$ hPa   $\leq 0.75$ Torr   $\leq 1$ mbar
Voltage: Range	$\pm 10$ %
Weight	2 kg   4.41 lb



# PROVAC

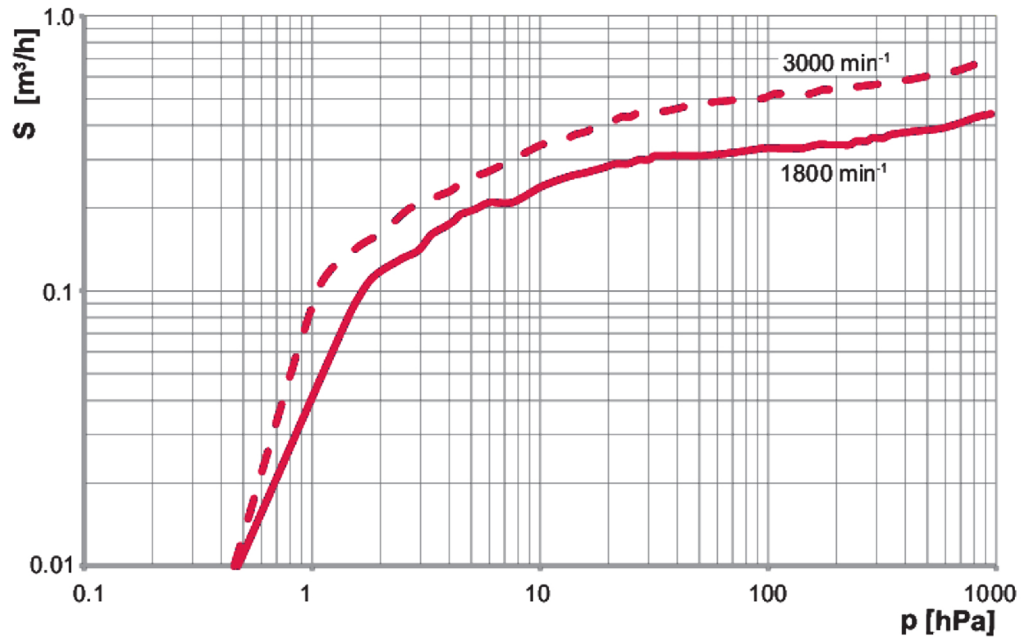
## SALES

PHONE: 831-462-8900

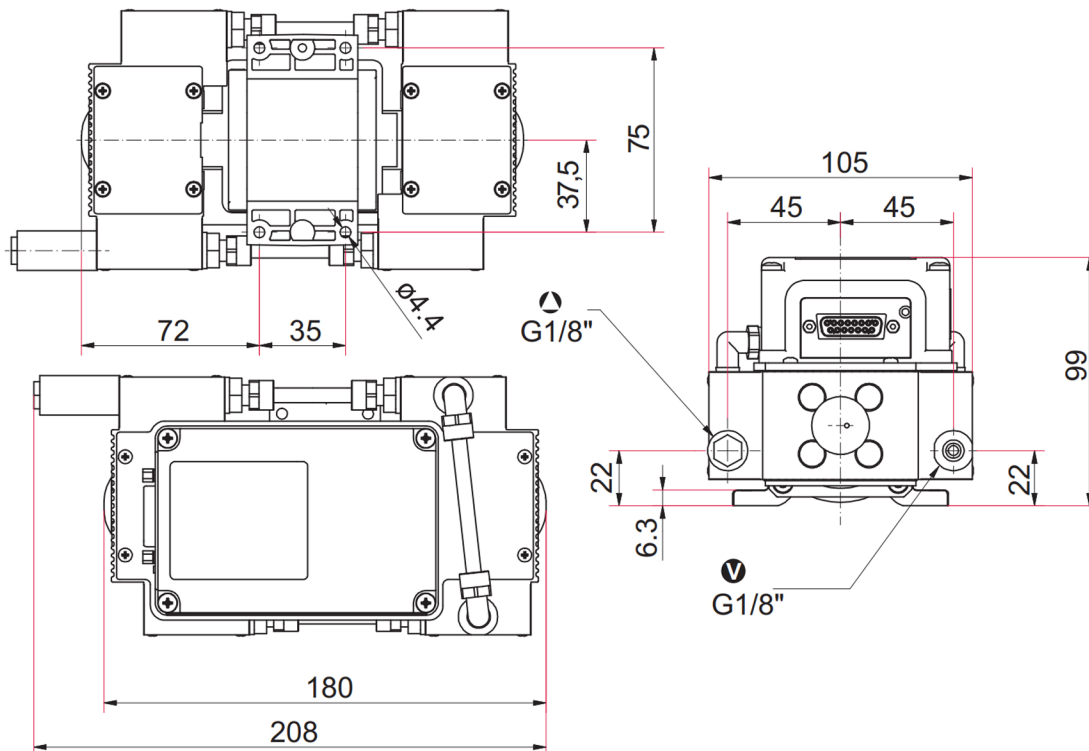
FAX: 831-462-3536

WWW.PROVAC.COM

## Pfeiffer MVP 010-3 Pumping Curves



## Dimensions





# PROVAC

## SALES

PHONE: 831-462-8900

FAX: 831-462-3536

WWW.PROVAC.COM

## Pfeiffer MVP 010-3

### Features & Benefits

- ideal backing pump for turbos
- absolutely dry & oil-free vacuum
- long lifespan
- compact design
- low vibration & sound
- high operating safety
- maintenance friendly through easy diaphragm & valve exchange

### Applications

- backing pump for turbos • systems & pumping stations • laboratories
- research & development • analytics • chemical industry • leak detection • clean & dry vacuum applications

