



Vacuubrand MV-2 Vario Select

Technical Specifications

		MV 2 VARIO select
Vacuum controller		VACUU-SELECT
Number of heads / stages		4 / 4
Max. pumping speed	m ³ /h	3.3
Max. pumping speed	cfm	1.9
Ultimate vacuum (abs.)	mbar/torr	0.3 / 0.2
Ambient temperature range (operation)	°C	10 - 40
Ambient temperature range (storage)	°C	-10 - 60
Max. back pressure (abs.)	bar	1.1
Inlet connection		small flange KF DN 16
Outlet connection		Silencer / G1/4"
Rated motor power	kW	0.53
Motor speed range	min-1	30 - 2400
Protection class		IP 20
Dimensions (L x W x H)	mm	325 x 235 x 245
Weight	kg	19.1
Noise level at 50 Hz, typ.	dBA	45
ATEX conformity (only 230V)		II 3/- G IIC T3 X Internal Atm. only
Items supplied		Pump completely mounted, ready for use, with manual.
Accessories		Stainless steel tubing KF DN 16 (1000 mm: 20673336) Vent valve VB M-B (20674217)



PROVAC

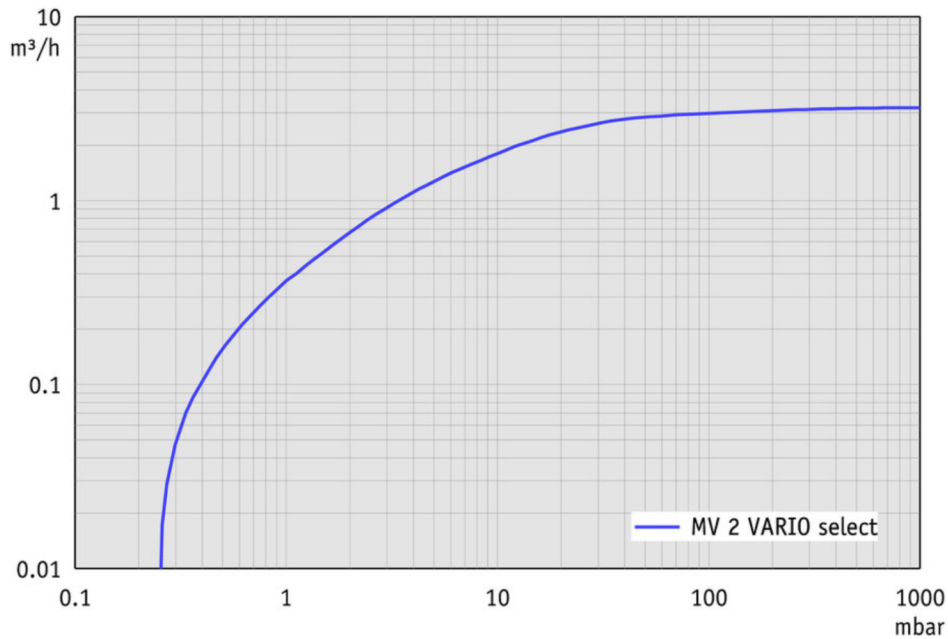
SALES

PHONE: 831-462-8900

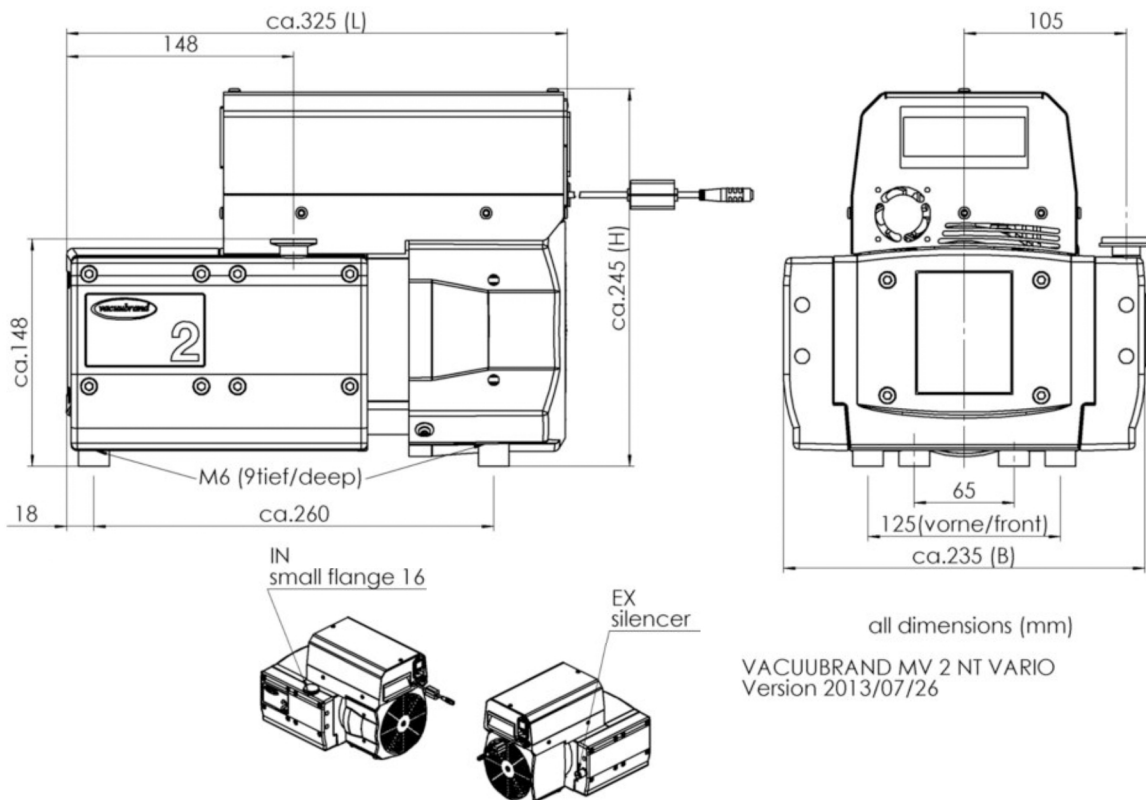
FAX: 831-462-3536

WWW.PROVAC.COM

Vacuubrand MV-2 Vario Select Pumping Curves



Dimensions





PROVAC

SALES

PHONE: 831-462-8900

FAX: 831-462-3536

WWW.PROVAC.COM

Vacuubrand MV-2 Vario Select Features & Benefits

- continuous, oil-free pumping of non-corrosive gases
- continuously adapts motor speed to hold desired vacuum level
- whisper quiet & ultra low vibrations
- high leak tightness
- extended operating life
- demand-responsive motor speed control
- controller included; graphical interface & predefined applications
- automatic boiling point detection
- minimum operational & servicing costs

Applications

- forevacuum generation for turbo pumps • non-corrosive applications

