



Vacuubrand MV-2NT

Technical Specifications

		MV 2 NT
Number of heads / stages		4 / 4
Max. pumping speed at 50/60 Hz	m ³ /h	2.2 / 2.4
Max. pumping speed at 50/60 Hz	cfm	1.3 / 1.4
Ultimate vacuum (abs.)	mbar/torr	0.5 / 0.4
Ambient temperature range (operation)	°C	10 - 40
Ambient temperature range (storage)	°C	-10 - 60
Max. back pressure (abs.)	bar	1.1
Inlet connection		small flange KF DN 16
Outlet connection		Silencer / G1/4"
Rated motor power	kW	0.25
Rated motor speed at 50/60 Hz	min-1	1500/1800
Protection class		IP 40
Dimensions (L x W x H)	mm	325 x 239 x 198
Weight	kg	16.4
Noise level at 50 Hz, typ.	dBA	50
NRTL certification		Canada and the USA
ATEX conformity (only 230V)		II 3/- G IIC T3 X Internal Atm. only
Items supplied		Pump completely mounted, ready for use, with manual.
Accessories		Stainless steel tubing KF DN 16 (1000 mm: 20673336)



PROVAC

SALES

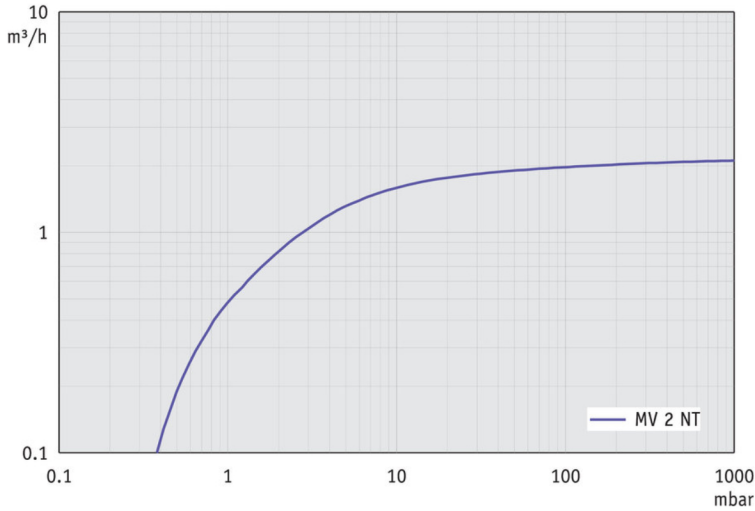
PHONE: 831-462-8900

FAX: 831-462-3536

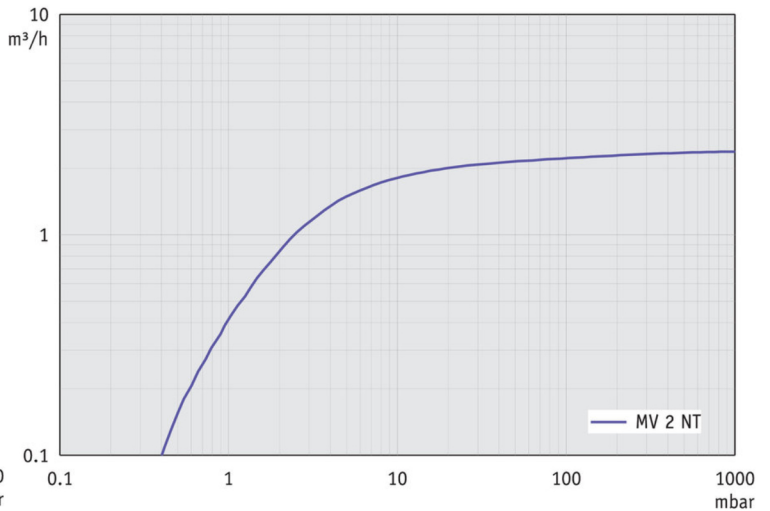
WWW.PROVAC.COM

Vacuubrand MV-2NT Pumping Curves

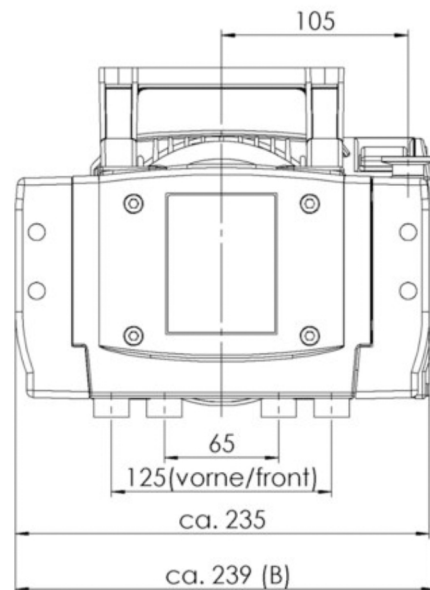
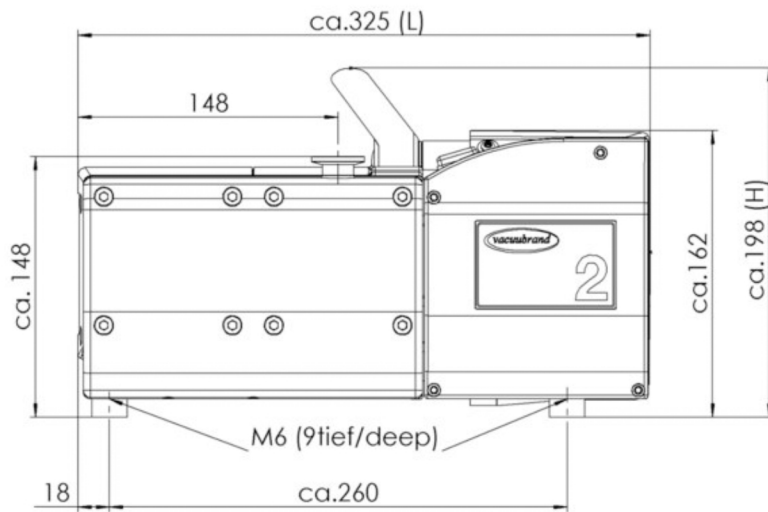
50Hz



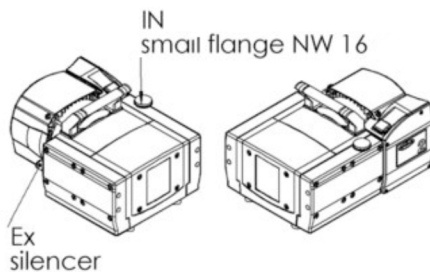
60Hz



Dimensions



all dimensions (mm)



VACUUBRAND MV 2 NT
Version 2013/08/05



PROVAC

SALES

PHONE: 831-462-8900

FAX: 831-462-3536

WWW.PROVAC.COM

Vacuubrand MV-2NT Features & Benefits

- excellent solution for continuous, oil-free pumping of gases when needing to reach fractional millibar ultimate vacuum levels
- suitable for non-corrosive applications
- whisper quiet & ultra low vibration
- high leak tightness & improved vacuum
- extended operating life
- high flow rate, even near ultimate vacuum
- maintenance free drive system
- low lifetime costs

Applications

- forevacuum generation for turbo pumps

