



Vacuubrand MV-10 Vario Select

Technical Specifications

		MV 10 VARIO select
Vacuum controller		VACUU-SELECT
Number of heads / stages		8 / 4
Max. pumping speed	m ³ /h	14.0
Max. pumping speed	cfm	8.2
Ultimate vacuum (abs.)	mbar/torr	0.3 / 0.2
Ambient temperature range (operation)	°C	10 - 40
Ambient temperature range (storage)	°C	-10 - 60
Max. back pressure (abs.)	bar	1.1
Inlet connection		small flange KF DN 25
Outlet connection		Silencer / G1/2"
Rated motor power	kW	1.0
Motor speed range	min-1	30 - 2400
Rated speed	min-1	1500/1800
Protection class		IP 40
Dimensions (L x W x H)	mm	552 x 260 x 450
Weight	kg	28.3
Noise level at 50 Hz, typ.	dBA	50
ATEX conformity (only 230V)		II 3/- G IIC T3 X Internal Atm. only
Items supplied		Pump completely mounted, ready for use, with manual.
Accessories		Stainless steel tubing KF DN 25 (1000 mm: 20673337) Hose nozzle DN 15 mm / G1/2" (20642472) Small flange KF DN 16 / G1/2" (20672101) Vent valve VB M-B (20674217)



PROVAC

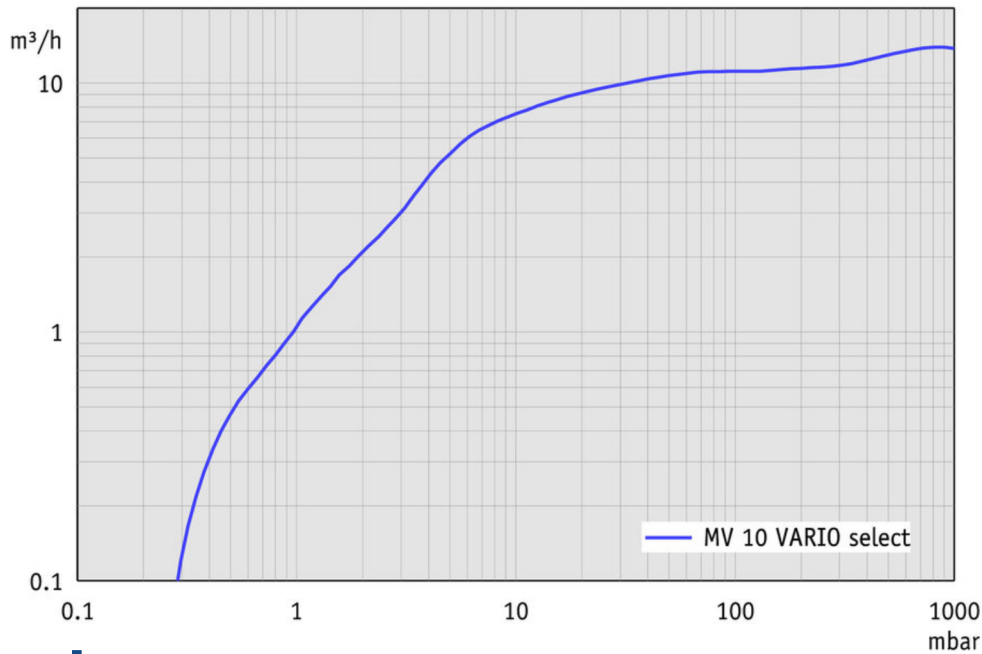
SALES

PHONE: 831-462-8900

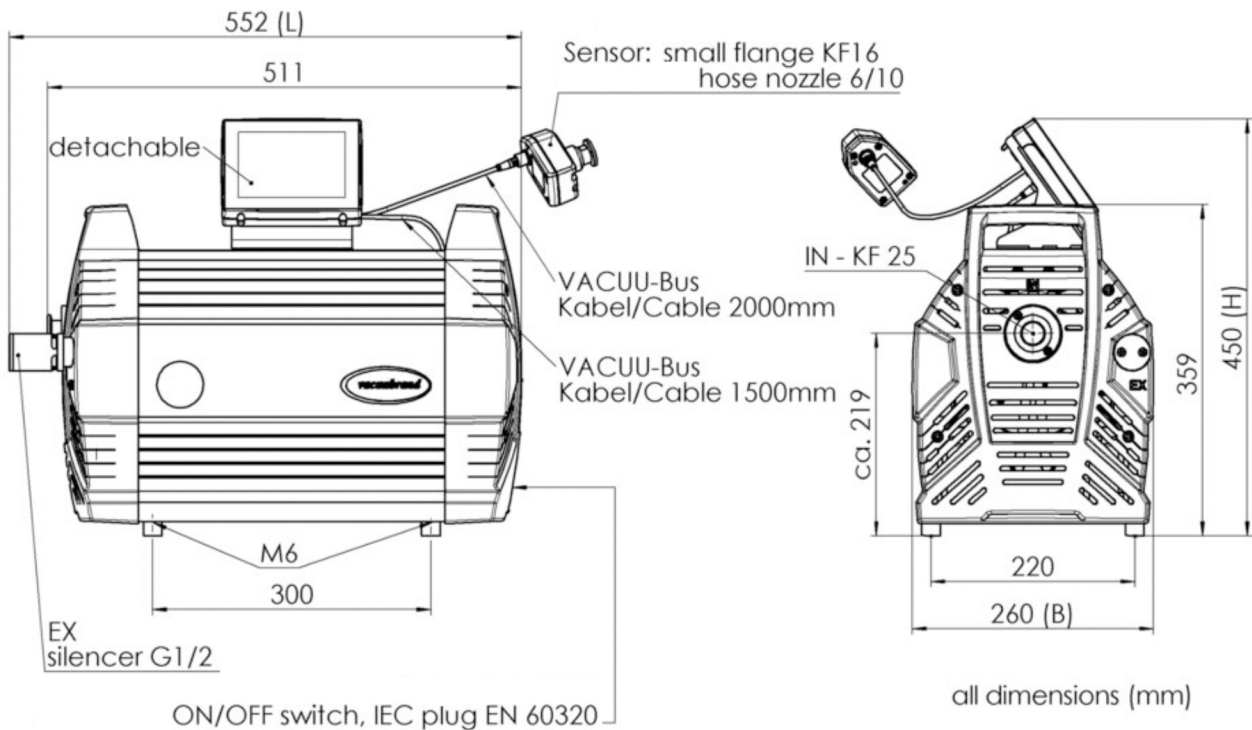
FAX: 831-462-3536

WWW.PROVAC.COM

Vacuubrand MV-10 Vario Select Pumping Curves



Dimensions



VACUUBRAND MV 10 VARIO select
Version 2018/04/05



PROVAC

SALES

PHONE: 831-462-8900

FAX: 831-462-3536

WWW.PROVAC.COM

Vacuubrand MV-10 Vario Select Features & Benefits

- four-stage design
- continuous, oil-free pumping of non-corrosive gases to vacuum levels that are only a fraction of a millibar
- excellent option for higher gas load applications or rapid pump down of vacuum chambers
- automatically adapts motor speed to hold desired vacuum level
- whisper quiet operation that generates ultra low vibrations
- high leak tightness
- extended operating life
- controller features graphical user interface
- minimum operational and servicing costs

Applications

- drying chambers • filtration & solid phase extraction • local area vacuum networks for laboratories

