



# Vacuubrand MV-10NT

## Technical Specifications

		MV 10 NT
Number of heads / stages		8 / 4
Max. pumping speed at 50/60 Hz	m <sup>3</sup> /h	10.4 / 11.6
Max. pumping speed at 50/60 Hz	cfm	6.1 / 6.8
Ultimate vacuum (abs.)	mbar/torr	0.5 / 0.38
Ambient temperature range (operation)	°C	10 - 40
Ambient temperature range (storage)	°C	-10 - 60
Max. back pressure (abs.)	bar	1.1
Inlet connection		small flange KF DN 25
Outlet connection		Silencer / G1/2"
Rated motor power	kW	0.44
Rated motor speed at 50/60 Hz	min <sup>-1</sup>	1500/1800
Protection class		IP 40
Dimensions (L x W x H)	mm	554 x 260 x 359
Weight	kg	30.6
Noise level at 50 Hz, typ.	dBA	50
ATEX conformity (only 230V)		II 3/- G IIC T3 X Internal Atm. only
Items supplied		Pump completely mounted, ready for use, with manual.
Accessories		Stainless steel tubing KF DN 25 (1000 mm: 20673337) Hose nozzle DN 15 mm / G1/2" (20642472) Small flange KF DN 16 / G1/2" (20672101)



# PROVAC

## SALES

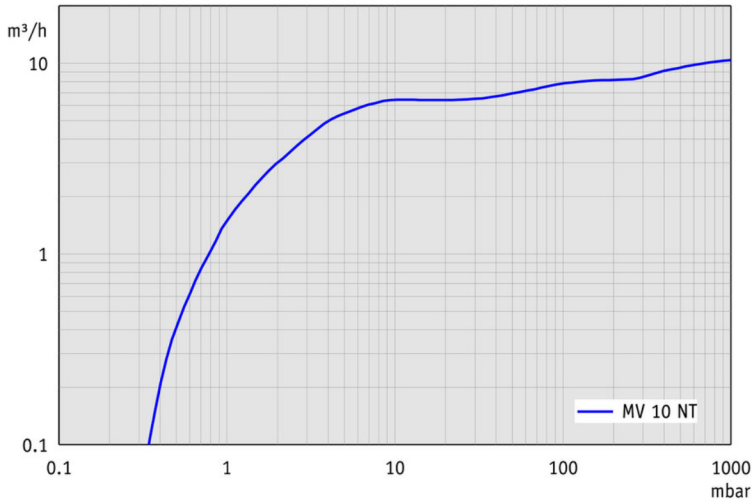
PHONE: 831-462-8900

FAX: 831-462-3536

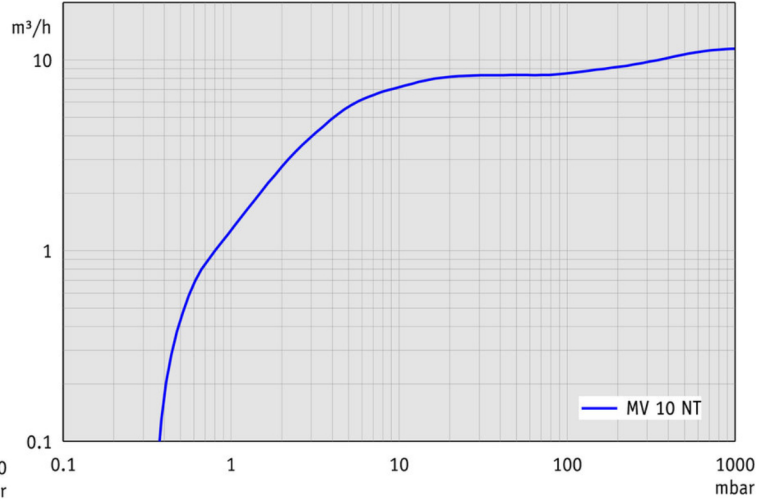
WWW.PROVAC.COM

# Vacuubrand MV-10NT Pumping Curves

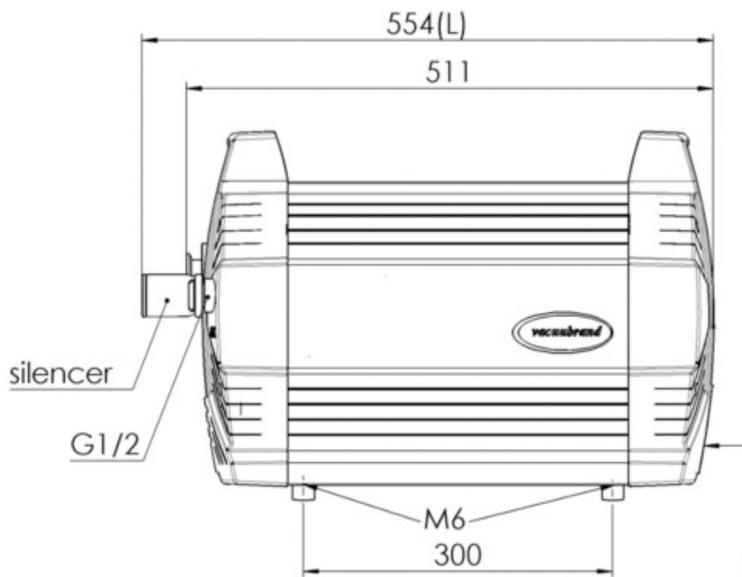
### 50Hz



### 60Hz

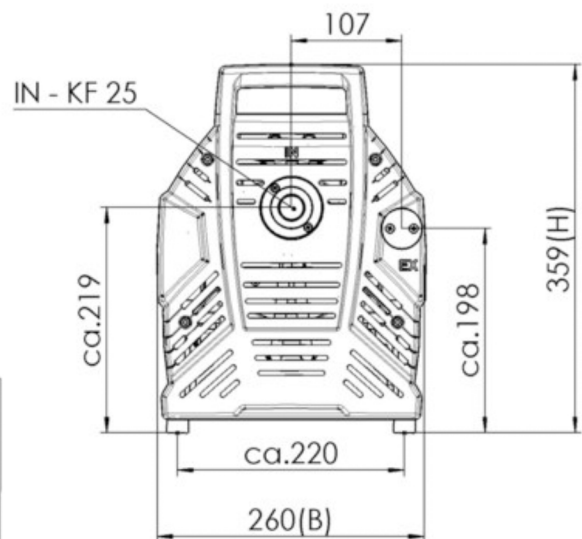


## Dimensions



ON/OFF switch, IEC plug EN 60320

weight 30,6 kg  
all dimensions (mm)



VACUUBRAND ME16 MD12 MV10 NT  
Version 2014/06/18



# PROVAC

## SALES

PHONE: 831-462-8900

FAX: 831-462-3536

WWW.PROVAC.COM

## Vacuubrand MV-10NT Features & Benefits

- four-stage, eight-cylinder
- continuous, oil-free pumping of gases when the need is to reach fractional millibar vacuums
- great for non-corrosive applications
- advantageous combination of high pumping speed, with extraordinary ultimate vacuum
- highly flexible, fabric reinforced double diaphragms
- extended operating life
- quiet operation. very low vibration
- low lifetime costs

## Applications

- drying chambers • forevacuum generation for turbo pumps

