



# Vacuubrand ME-8CNT

## Technical Specifications

		ME 8C NT
Number of heads / stages		4 / 1
Max. pumping speed at 50/60 Hz	m <sup>3</sup> /h	7.1 / 7.8
Max. pumping speed at 50/60 Hz	cfm	4.2 / 4.6
Ultimate vacuum (abs.)	mbar/torr	70 / 52
Ambient temperature range (operation)	°C	10 - 40
Ambient temperature range (storage)	°C	-10 - 60
Max. back pressure (abs.)	bar	1.1
Inlet connection		Hose nozzle DN 8-10 mm
Outlet connection		Hose nozzle DN 8-10 mm
Rated motor power	kW	0.25
Rated motor speed at 50/60 Hz	min <sup>-1</sup>	1500/1800
Protection class		IP 40
Dimensions (L x W x H)	mm	325 x 243 x 198
Weight	kg	14.3
Noise level at 50 Hz, typ.	dBA	45
NRTL certification		Canada and the USA
ATEX conformity (only 230V)		II 3/- G IIC T3 X Internal Atm. only
Items supplied		Pump completely mounted, ready for use, with manual.
Accessories		Rubber vacuum tubing DN 8 mm (20686001)



# PROVAC

## SALES

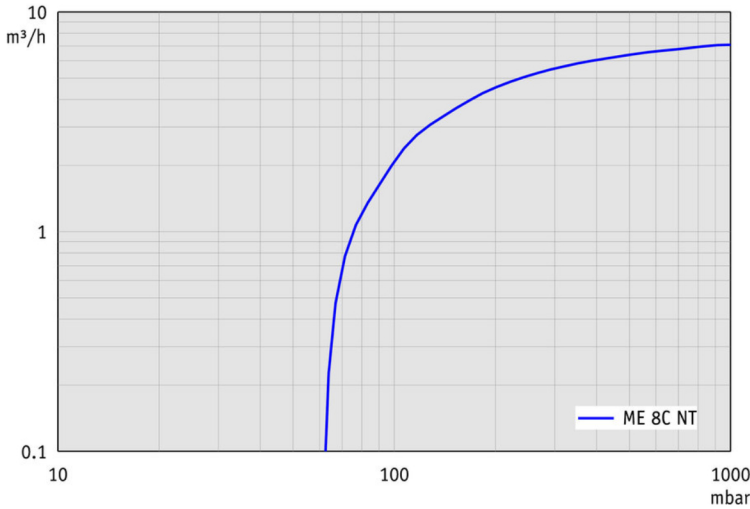
PHONE: 831-462-8900

FAX: 831-462-3536

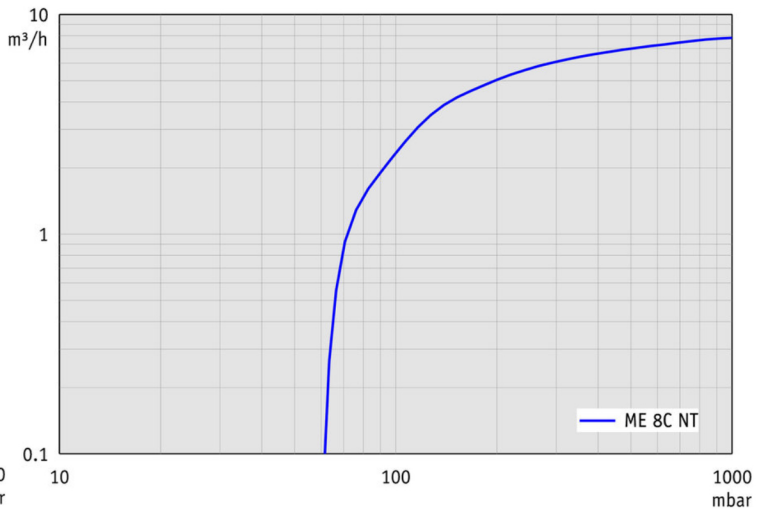
WWW.PROVAC.COM

# Vacuubrand ME-8CNT Pumping Curves

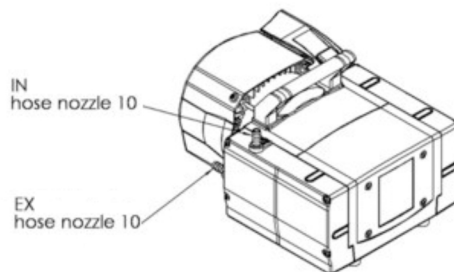
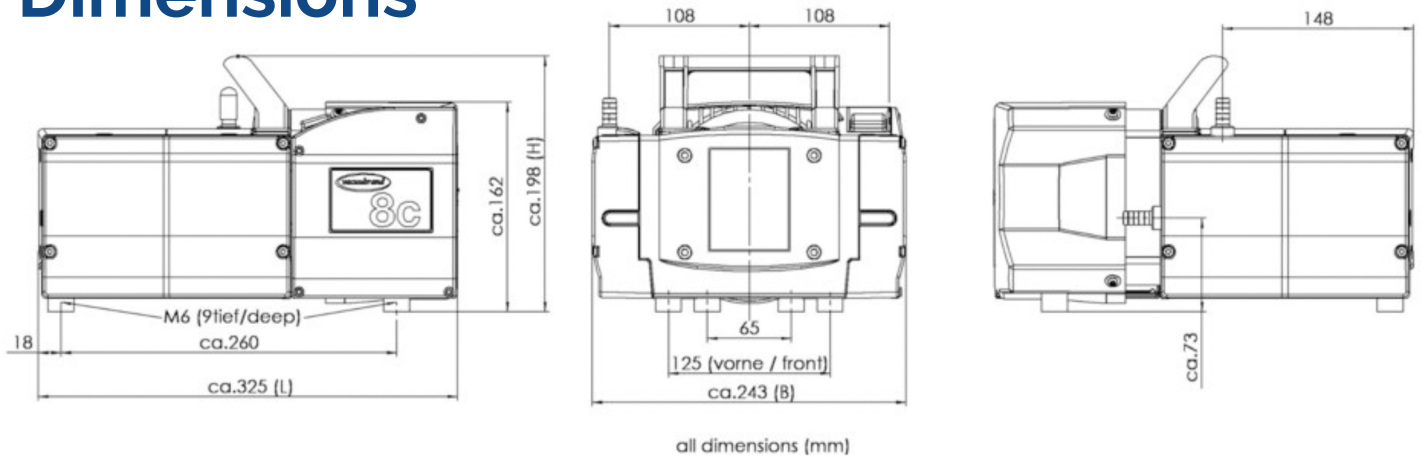
### 50Hz



### 60Hz



## Dimensions



VACUUBRAND ME 8C NT  
Version 2009/03/17



# PROVAC

## SALES

PHONE: 831-462-8900

FAX: 831-462-3536

WWW.PROVAC.COM

## Vacuubrand ME-8CNT Features & Benefits

- chemistry design diaphragm pump
- solution for continuous oil-free pumping of corrosive gases & vapors
- advantageous combination of high pumping speed & low ultimate vacuum
- increased reliability & operating life
- exceptionally high pumping speed
- superior vapor tolerance & chemical resistance
- compact design
- whisper quiet & very low vibration
- maintenance free drive system

## Applications

- drying chambers • filtration & solid phase extraction • local area vacuum networks for laboratories

