



Vacuubrand ME-4RNT

Technical Specifications

		ME 4R NT
Vacuum controller		Manometer
Number of heads / stages		2 / 1
Max. pumping speed at 50/60 Hz	m ³ /h	3.8 / 4.2
Max. pumping speed at 50/60 Hz	cfm	2.2 / 2.5
Ultimate vacuum (abs.)	mbar/torr	100 / 75
Ambient temperature range (operation)	°C	10 - 40
Ambient temperature range (storage)	°C	-10 - 60
Max. back pressure (abs.)	bar	4
Inlet connection		Hose nozzle DN 8-10 mm
Outlet connection		Hose nozzle DN 8-10 mm
Rated motor power	kW	0.18
Rated motor speed at 50/60 Hz	min-1	1500/1800
Protection class		IP 40
Dimensions (L x W x H)	mm	243 x 239 x 290
Weight	kg	11.5
Noise level at 50 Hz, typ.	dBA	45
NRTL certification		Canada and the USA
Items supplied		Pump completely mounted, ready for use, with manual.
Accessories		Rubber vacuum tubing DN 8 mm (20686001)



PROVAC

SALES

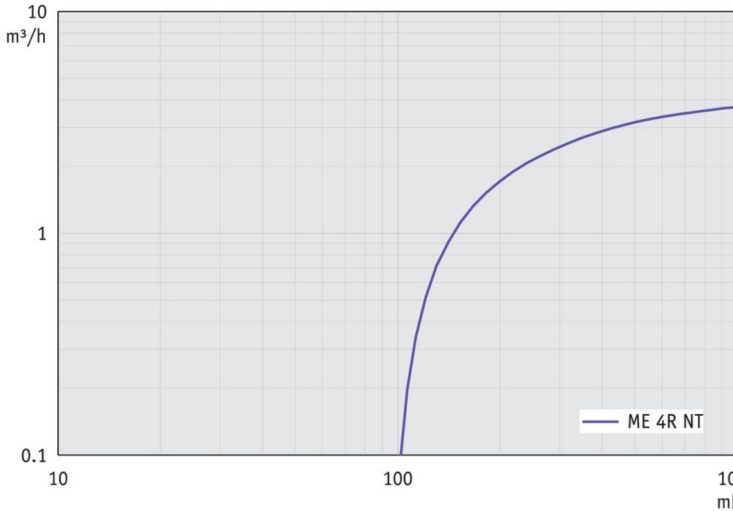
PHONE: 831-462-8900

FAX: 831-462-3536

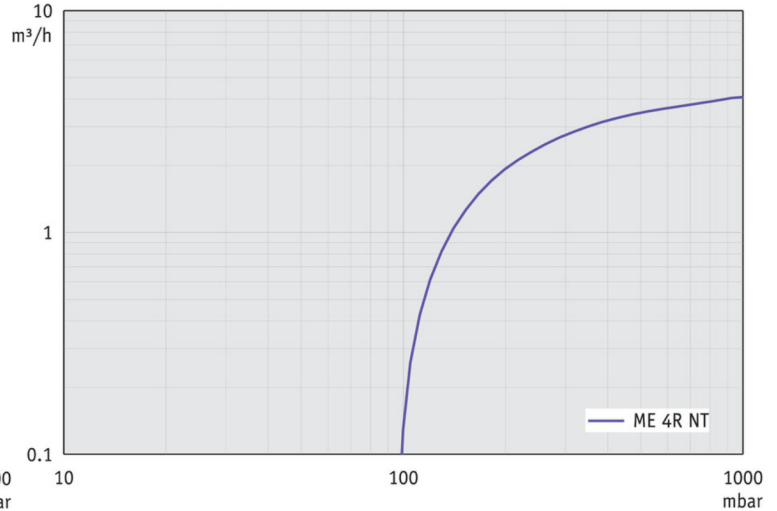
WWW.PROVAC.COM

Vacuubrand ME-4RNT Pumping Curves

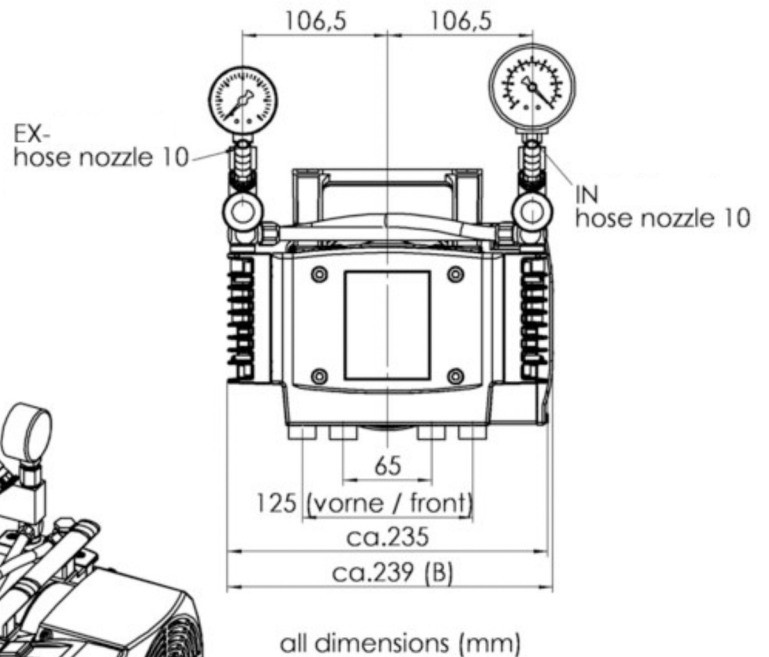
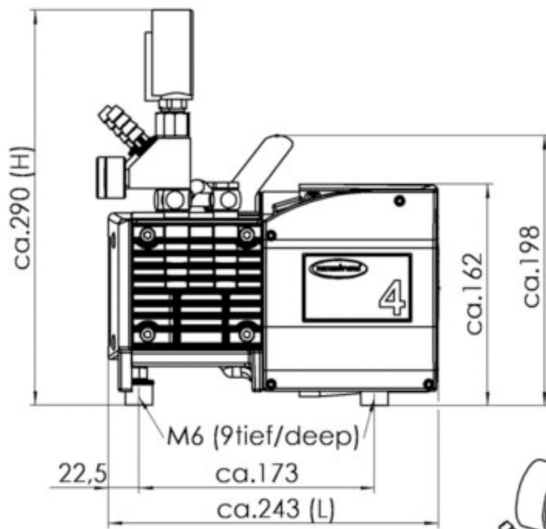
50Hz



60Hz



Dimensions



VACUUBRAND ME 4R NT
Version 2009/03/17



PROVAC

SALES

PHONE: 831-462-8900

FAX: 831-462-3536

WWW.PROVAC.COM

Vacuubrand ME-4RNT Features & Benefits

- works as a vacuum generator & a compressor
- enables a wide range of applications for non-corrosive gases
- inlet & outlet connections equipped with regulator valves for vacuum & overpressure
- contamination-free pumping, evacuation & compression
- high flow rate even near ultimate vacuum
- very low vibration
- exceptionally long diaphragm life
- maintenance free drive system
- low lifetime costs

Applications

- drying chambers • filtration & solid phase extraction

