



Vacuubrand ME-4NT

Technical Specifications

| | | ME 4 NT |
|---------------------------------------|-------------------|---|
| Number of heads / stages | | 2 / 1 |
| Max. pumping speed at 50/60 Hz | m ³ /h | 4.0 / 4.4 |
| Max. pumping speed at 50/60 Hz | cfm | 2.4 / 2.6 |
| Ultimate vacuum (abs.) | mbar/torr | 70 / 52 |
| Ambient temperature range (operation) | °C | 10 - 40 |
| Ambient temperature range (storage) | °C | -10 - 60 |
| Max. back pressure (abs.) | bar | 2 |
| Inlet connection | | Hose nozzle DN 8-10 mm |
| Outlet connection | | 2 x silencer / G1/4" |
| Rated motor power | kW | 0.18 |
| Rated motor speed at 50/60 Hz | min-1 | 1500/1800 |
| Protection class | | IP 40 |
| Dimensions (L x W x H) | mm | 243 x 239 x 198 |
| Weight | kg | 11.0 |
| Noise level at 50 Hz, typ. | dBA | 45 |
| NRTL certification | | Canada and the USA |
| ATEX conformity (only 230V) | | II 3/- G IIC T3 X Internal Atm. only |
| Items supplied | | Pump completely mounted, ready for use, with manual. |
| Accessories | | Vacuum regulator valve with manometer (20696840) VACUU·LAN® Mini-Network (22614455) Rubber vacuum tubing DN 8 mm (20686001) |



PROVAC

SALES

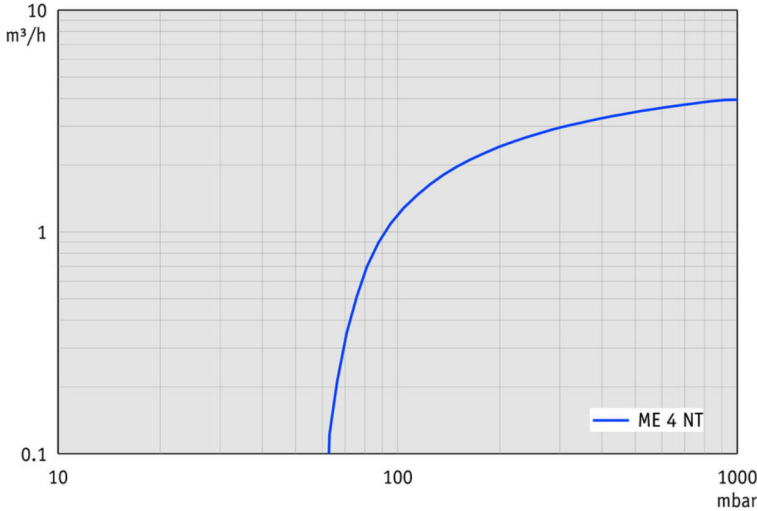
PHONE: 831-462-8900

FAX: 831-462-3536

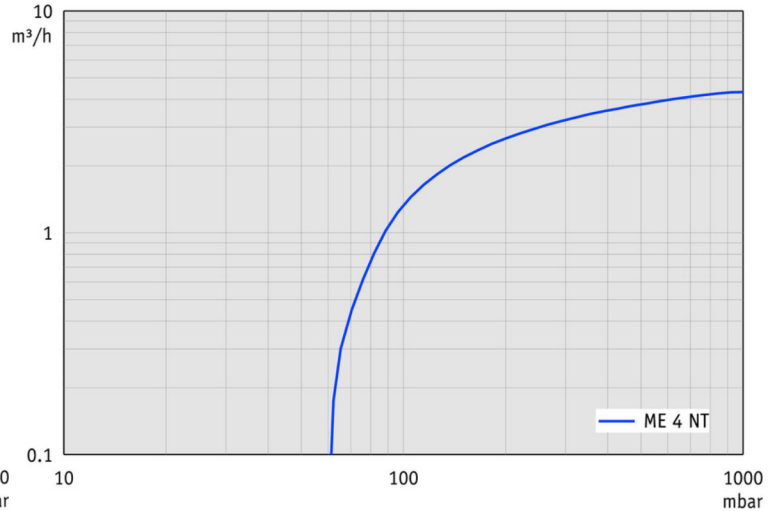
WWW.PROVAC.COM

Vacuubrand ME-4NT Pumping Curves

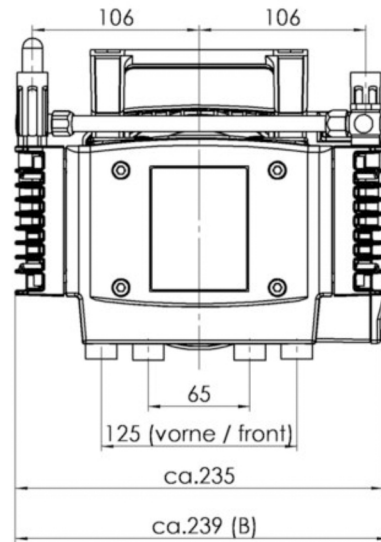
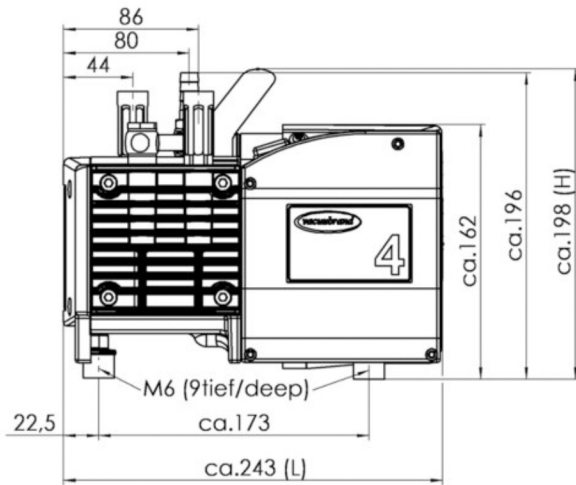
50Hz



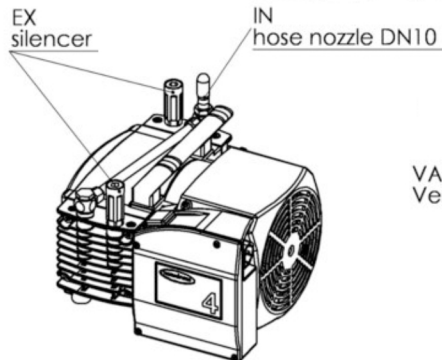
60Hz



Dimensions



all dimensions (mm)



VACUUBRAND ME 4 NT
Version 2009/03/17



PROVAC

SALES

PHONE: 831-462-8900

FAX: 831-462-3536

WWW.PROVAC.COM

Vacuubrand ME-4NT Features & Benefits

- ideal solution for continuous, oil-free evacuation & pumping of gases
- advantageous combination of high pumping speed & low ultimate vacuum
- highly flexible, fabric-reinforced double diaphragm
- extended operating life, low lifetime costs
- compact, one-stage design
- whisper quiet operation
- maintenance-free drive system

Applications

- drying chambers • filtration & solid phase extraction

