



Vacuubrand ME-4CNT

Technical Specifications

		ME 4C NT
Number of heads / stages		2 / 1
Max. pumping speed at 50/60 Hz	m ³ /h	3.9 / 4.3
Max. pumping speed at 50/60 Hz	cfm	2.3 / 2.5
Ultimate vacuum (abs.)	mbar/torr	70 / 52
Ambient temperature range (operation)	°C	10 - 40
Ambient temperature range (storage)	°C	-10 - 60
Max. back pressure (abs.)	bar	1.1
Inlet connection		Hose nozzle DN 8-10 mm
Outlet connection		Hose nozzle DN 8-10 mm
Rated motor power	kW	0.18
Rated motor speed at 50/60 Hz	min-1	1500/1800
Protection class		IP 40
Dimensions (L x W x H)	mm	254 x 243 x 198
Weight	kg	11.1
Noise level at 50 Hz, typ.	dBA	45
NRTL certification		Canada and the USA
ATEX conformity (only 230V)		II 3/- G IIC T3 X Internal Atm. only
Items supplied		Pump completely mounted, ready for use, with manual.
Accessories		Rubber vacuum tubing DN 8 mm (20686001)



PROVAC

SALES

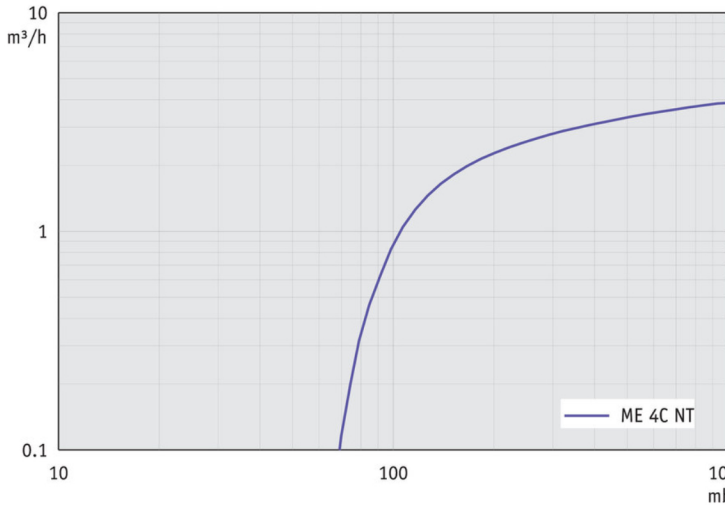
PHONE: 831-462-8900

FAX: 831-462-3536

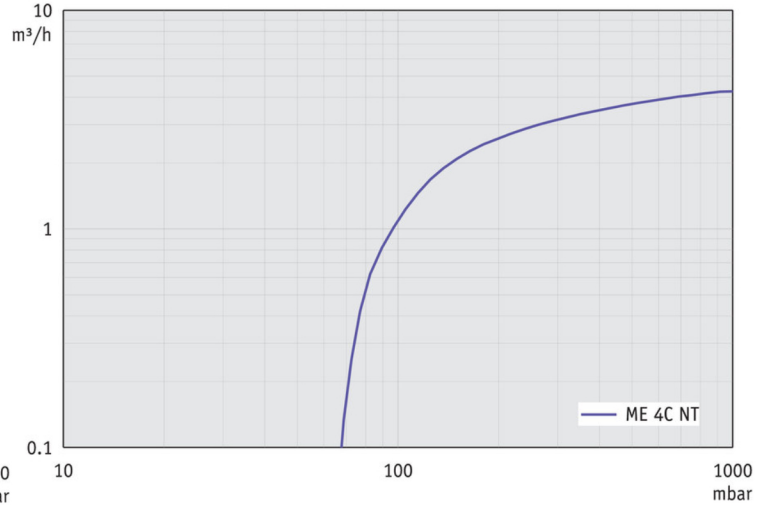
WWW.PROVAC.COM

Vacuubrand ME-4CNT Pumping Curves

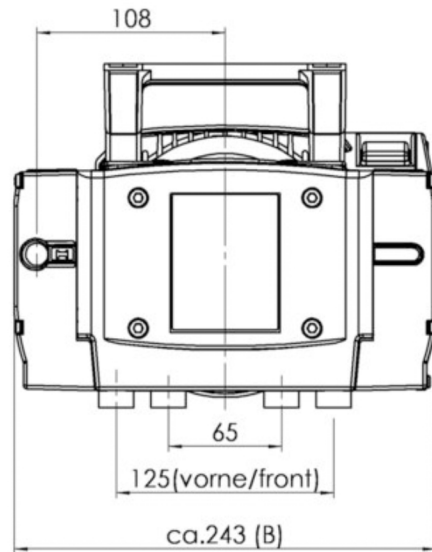
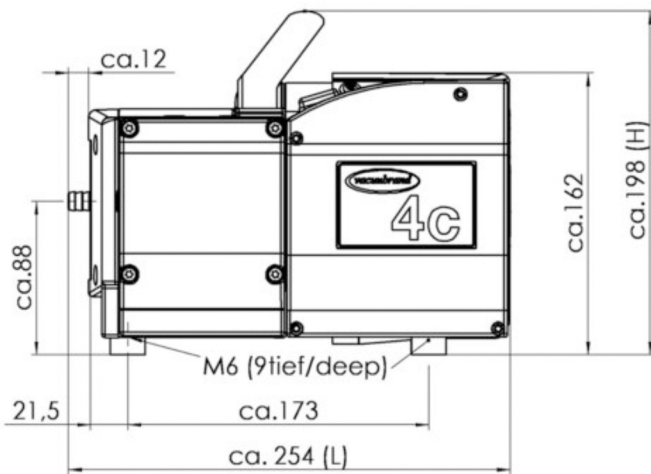
50Hz



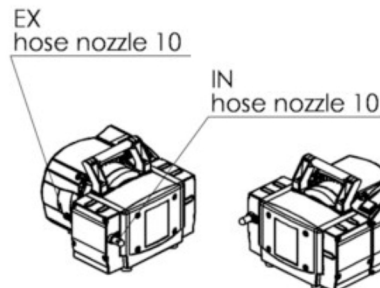
60Hz



Dimensions



all dimensions (mm)



VACUUBRAND ME 4C NT
Version 2009/03/17



PROVAC

SALES

PHONE: 831-462-8900

FAX: 831-462-3536

WWW.PROVAC.COM

Vacuubrand ME-4CNT Features & Benefits

- chemistry-design diaphragm pump
- continuous, oil-free pumping of corrosive gases & vapors
- advantageous combination of high pumping speed & low ultimate vacuum
- increased reliability & extended operating life
- further improved performance data
- higher tolerance for condensates
- outstanding chemical resistance
- whisper quiet & low vibration
- maintenance free drive system

Applications

- drying chambers • filtration & solid phase extraction • local area vacuum networks for laboratories

