



# Vacuubrand ME-2CNT

## Technical Specifications

		ME 2C NT
Number of heads / stages		1 / 1
Max. pumping speed at 50/60 Hz	m <sup>3</sup> /h	2.1 / 2.4
Max. pumping speed at 50/60 Hz	cfm	1.2 / 1.4
Ultimate vacuum (abs.)	mbar/torr	70 / 52
Ambient temperature range (operation)	°C	10 - 40
Ambient temperature range (storage)	°C	-10 - 60
Max. back pressure (abs.)	bar	1.1
Inlet connection		Hose nozzle DN 8-10 mm
Outlet connection		Hose nozzle DN 8-10 mm
Rated motor power	kW	0.18
Rated motor speed at 50/60 Hz	min-1	1500/1800
Protection class		IP 40
Dimensions (L x W x H)	mm	243 x 211 x 198
Weight	kg	10.2
Noise level at 50 Hz, typ.	dBA	45
NRTL certification		Canada and the USA
ATEX conformity (only 230V)		II 3/- G IIC T3 X Internal Atm. only
Items supplied		Pump completely mounted, ready for use, with manual.
Accessories		VACUU-LAN® Mini-Network (22614455) Rubber vacuum tubing DN 8 mm (20686001)



# PROVAC

## SALES

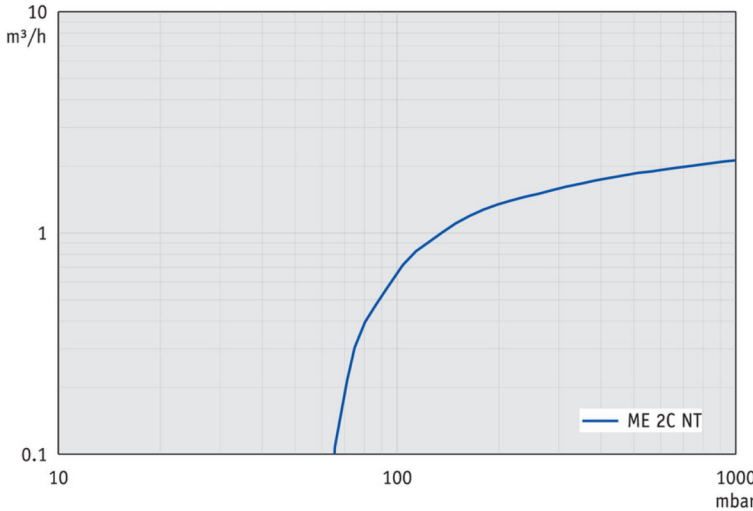
PHONE: 831-462-8900

FAX: 831-462-3536

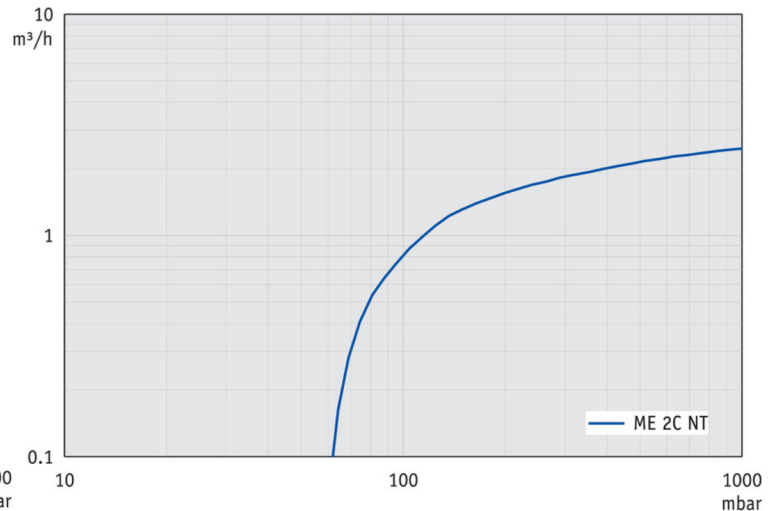
WWW.PROVAC.COM

# Vacuubrand ME-2CNT Pumping Curves

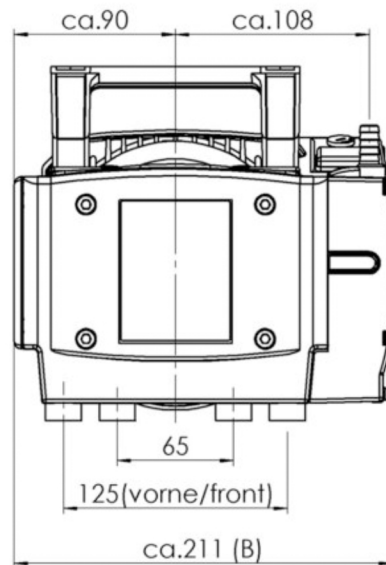
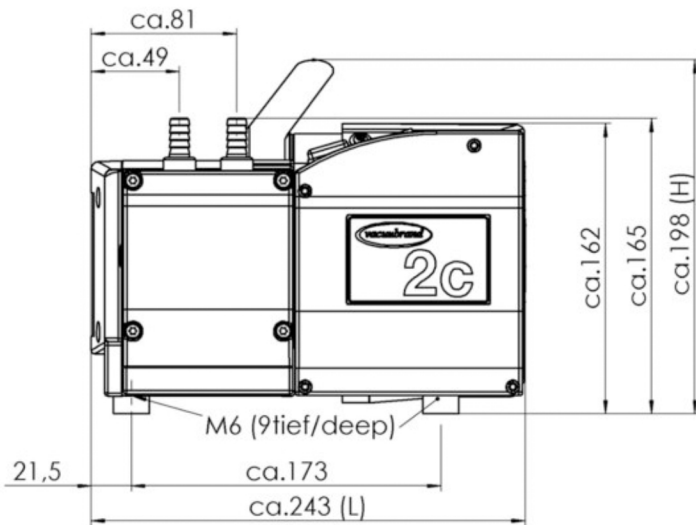
### 50Hz



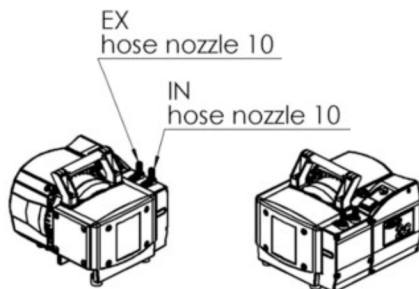
### 60Hz



## Dimensions



all dimensions (mm)



VACUUBRAND ME 2C NT 100-230V  
Version 2011/11/28



# PROVAC

## SALES

PHONE: 831-462-8900

FAX: 831-462-3536

WWW.PROVAC.COM

## Vacuubrand ME-2CNT Features & Benefits

- excellent for continuous, oil-free pumping of gases & vapors at low vacuum requirement
- no water consumption means no contaminated waste water
- advantageous combination of high pumping speed and low ultimate vacuum
- whisper quiet & very low vibration
- powerful, even for parallel operation of several applications
- outstanding chemical resistance
- long diaphragm life, maintenance-free drive system

## Applications

- vacuum filtration & solid phase extraction
- drying chambers
- vacuum ovens
- oil-free evacuation

