



Vacuubrand ME-16C Vario Select

Technical Specifications

		ME 16C VARIO select
Vacuum controller		VACUU-SELECT
Number of heads / stages		8 / 1
Max. pumping speed	m ³ /h	20.0
Max. pumping speed	cfm	11.8
Ultimate vacuum (abs.)	mbar/torr	70 / 53
Ultim. vac. (abs.) with gas ballast	mbar/torr	100 / 75
Ambient temperature range (operation)	°C	10 - 40
Ambient temperature range (storage)	°C	-10 - 60
Max. back pressure (abs.)	bar	1.1
Inlet connection		small flange KF DN 25
Outlet connection		Hose nozzle DN 15 mm
Rated motor power	kW	1.0
Motor speed range	min-1	30 - 2400
Rated speed	min-1	1500/1800
Protection class		IP 40
Dimensions (L x W x H)	mm	533 x 260 x 450
Weight	kg	25.5
Noise level at 50 Hz, typ.	dBA	47
ATEX conformity (only 230V)		II 3/- G IIC T3 X Internal Atm. only
Items supplied		Pump completely mounted, ready for use, with manual.
Accessories		PTFE tubing KF DN 25 (1000 mm: 20686033) Inlet separator KF DN 25 (20699979) Emission condenser kit for NT pump models (20699948) Vent valve VB M-B (20674217) Centering and sealing ring KF DN 25 C AI/FEP (20635722)



PROVAC

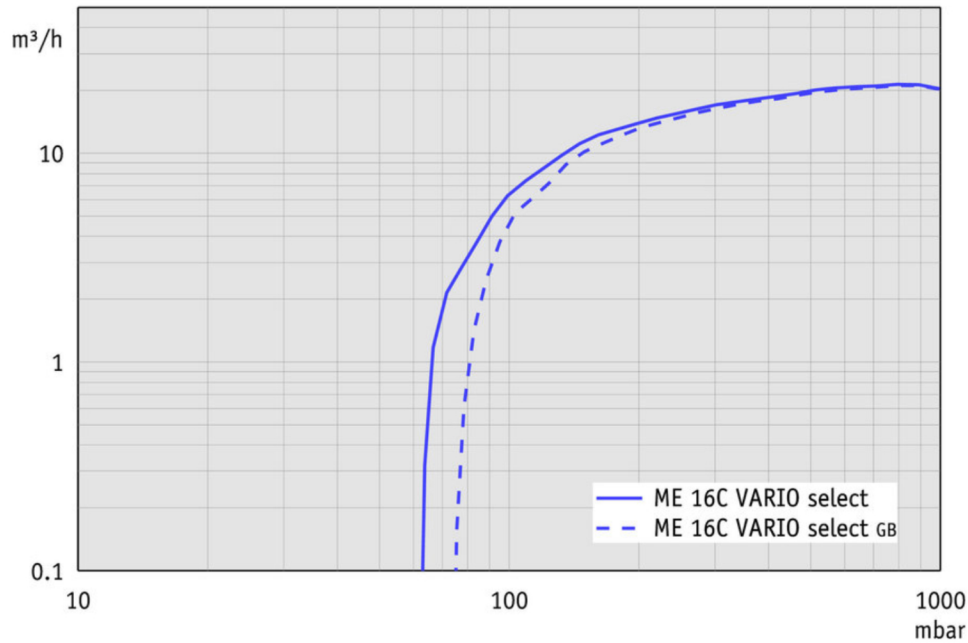
SALES

PHONE: 831-462-8900

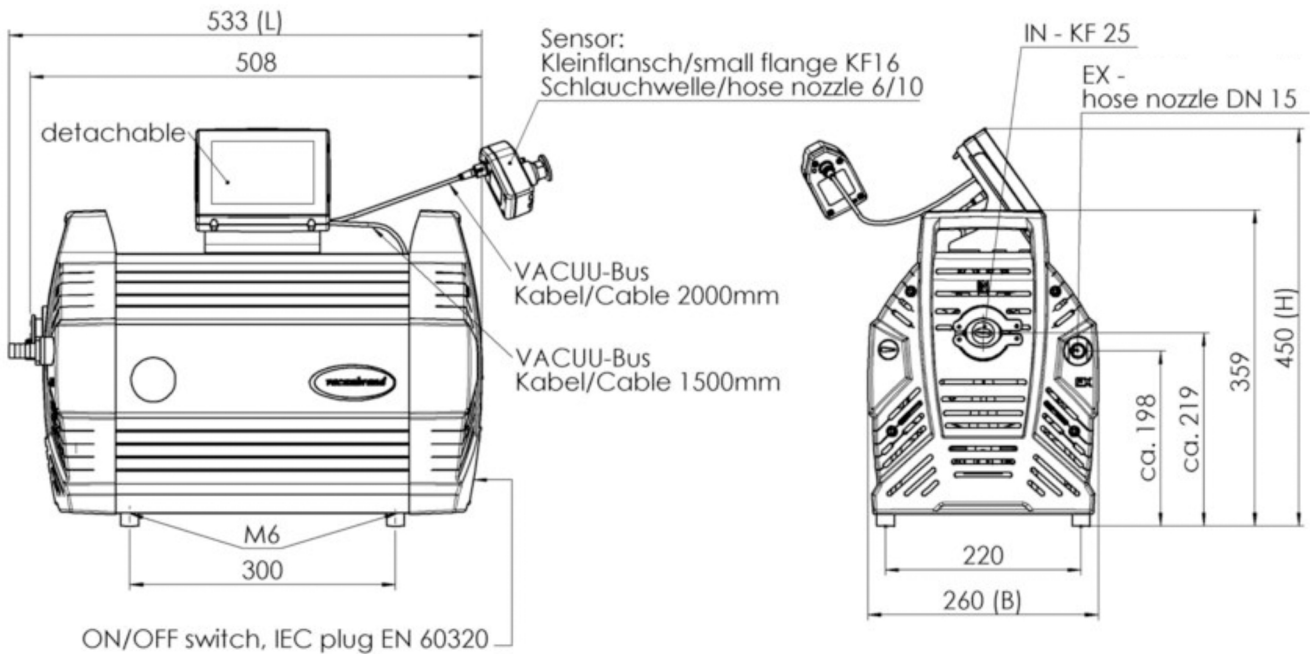
FAX: 831-462-3536

WWW.PROVAC.COM

Vacuubrand ME-16C Vario Select Pumping Curves



Dimensions



all dimensions (mm)

VACUUBRAND ME 16C VARIO select
Version 2018/04/05



PROVAC

SALES

PHONE: 831-462-8900

FAX: 831-462-3536

WWW.PROVAC.COM

Vacuubrand ME-16C Vario Select Features & Benefits

- integrated controller provides easy-to-use application based interface
- excellent solution for continuous, oil-free pumping of corrosive gases & vapors
- great choice for evaporating large quantities of low boiling point solvents
- unrivaled service intervals
- continuously detects boiling points & adjusts vacuum process
- minimum operational & servicing costs

Applications

- drying chambers filtration & solid phase extraction • local area vacuum networks for laboratories

