



# Vacuubrand ME-1

## Technical Specifications

		ME 1
Number of heads / stages		1 / 1
Max. pumping speed at 50/60 Hz	m3/h	0.7 / 0.85
Max. pumping speed at 50/60 Hz	cfm	0.4 / 0.5
Ultimate vacuum (abs.)	mbar/torr	100 / 75
Ambient temperature range (operation)	°C	10 - 40
Ambient temperature range (storage)	°C	-10 - 60
Max. back pressure (abs.)	bar	1.1
Inlet connection		Hose nozzle DN 6-10 mm
Outlet connection		Silencer / G1/8"
Rated motor power	kW	0.04
Rated motor speed at 50/60 Hz	min-1	1500/1800
Protection class		IP 40
Dimensions (L x W x H)	mm	247 x 121 x 145
Weight	kg	5.0
Noise level at 50 Hz, typ.	dBA	45
NRTL certification		Canada and the USA
ATEX conformity (only 230V)		II 3/- G IIC T3 X Internal Atm. only
Items supplied		Pump completely mounted, ready for use, with manual.
Accessories		Rubber vacuum tubing DN 6 mm (20686000) Rubber vacuum tubing DN 8 mm (20686001) Vacuum regulator valve unit for ME 1 (20696842)



# PROVAC

## SALES

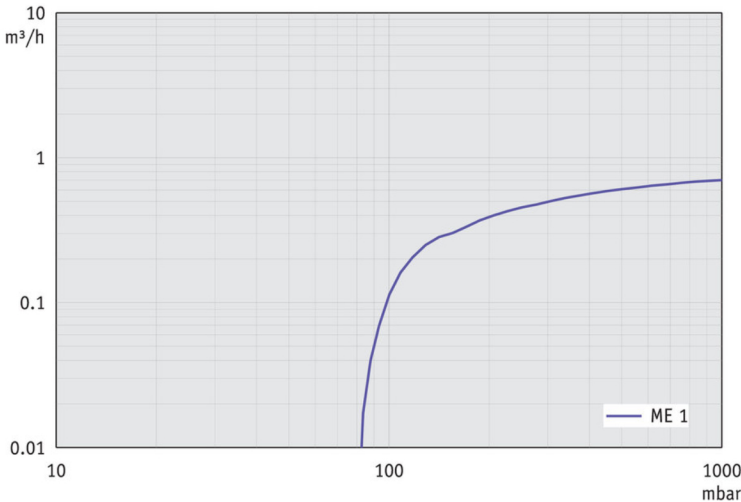
PHONE: 831-462-8900

FAX: 831-462-3536

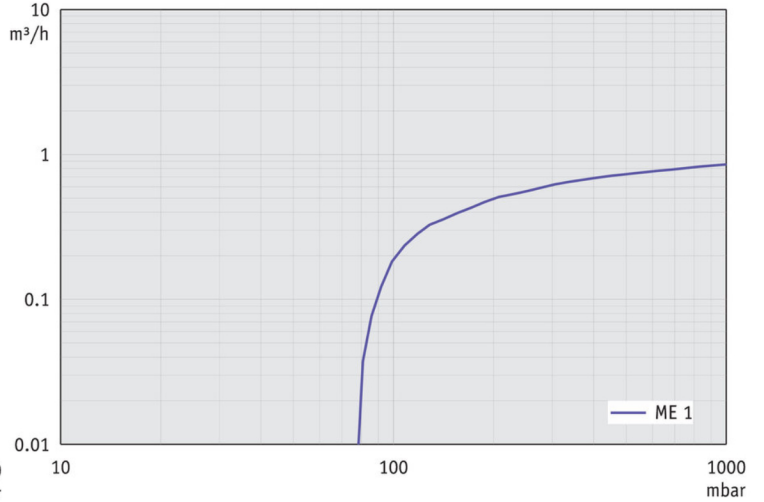
WWW.PROVAC.COM

# Vacuubrand ME-1 Pumping Curves

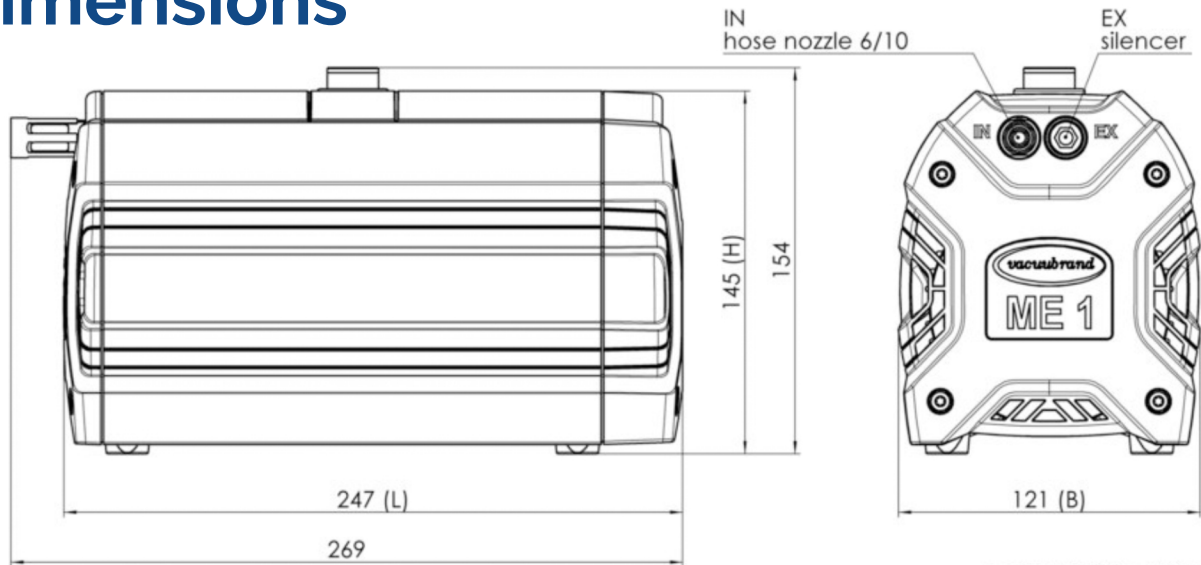
### 50Hz



### 60Hz

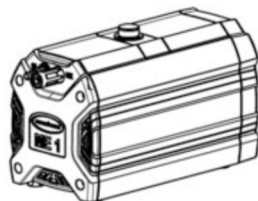


## Dimensions



weight 230V : 5,0 kg  
weight 100-120V : 5,4 kg

all dimensions (mm)



VACUUBRAND ME 1  
Version 2010/07/28



# PROVAC

## SALES

PHONE: 831-462-8900

FAX: 831-462-3536

WWW.PROVAC.COM

## Vacuubrand ME-1 Features & Benefits

- compact, high performance, easy-to-use solution
- perfect for single port filtrations
- oil-free and contamination-free
- extraordinarily long diaphragm life time
- functional, space-saving, innovative design
- high chemical resistance
- new top mounted power switch
- whisper quiet & very low vibration

## Applications

- filtration & solid phase extraction • waste water control • analytical applications

