



PROVAC

SALES

PHONE: 831-462-8900

FAX: 831-462-3536

WWW.PROVAC.COM

Vacuubrand MD-4CNT Vario

Technical Specifications

Technical data	Unit	MD 4C NT VARIO
Vacuum controller		CVC 3000
Number of heads / stages		4 / 3
Max. pumping speed	m ³ /h	4.6
Max. pumping speed	cfm	2.7
Ultimate vacuum (abs.)	mbar/torr	1.5 / 1.1
Ultim. vac. (abs.) with gas ballast	mbar/torr	3 / 2.2
Ambient temperature range (operation)	°C	10 - 40
Ambient temperature range (storage)	°C	-10 - 60
Max. back pressure (abs.)	bar	1.1
Inlet connection		Hose nozzle DN 8-10 mm
Outlet connection		Hose nozzle DN 8-10 mm
Rated motor power	kW	0.53
Motor speed range	min-1	30 - 2400
Degree of protection		IP 20
Dimensions (L x W x H)	mm	325 x 243 x 245
Weight	kg	16.3
Noise level at 50 Hz, typ.	dBA	43
ATEX conformity (only 230V)		II 3G IIC T3 X Internal Atm. only
Items supplied		Pumping unit completely mounted, ready for use, with manual.





PROVAC

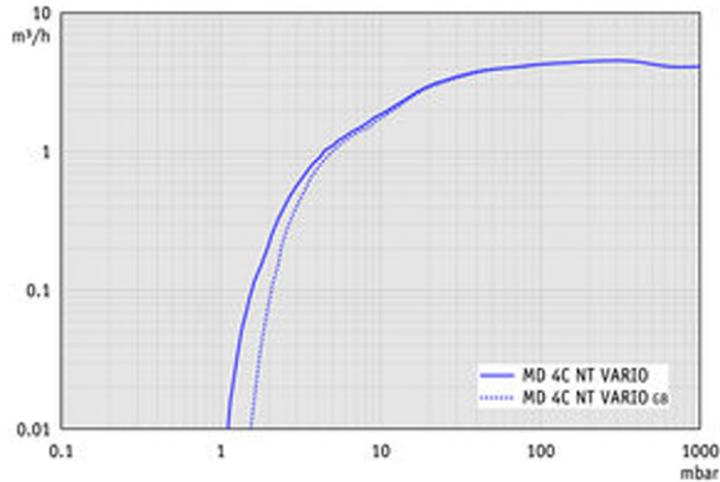
SALES

PHONE: 831-462-8900

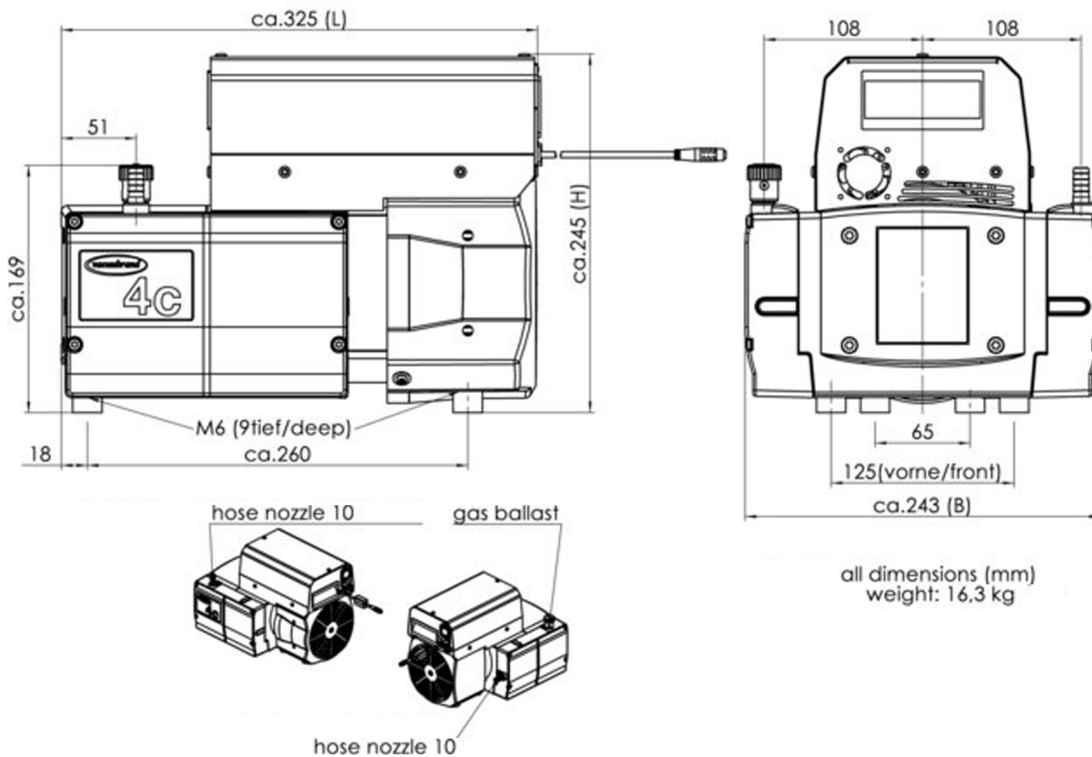
FAX: 831-462-3536

WWW.PROVAC.COM

Vacuubrand MD-4CNT Vario Pumping Curves



Dimensions





PROVAC

S A L E S

PHONE: 831-462-8900

FAX: 831-462-3536

WWW.PROVAC.COM

Vacuubrand MD-4CNT Vario

Features & Benefits

- two-stage chemistry-design
- continuous, oil-free pumping
- high pumping speed / very low ultimate vacuum
- superior vapor tolerance
- outstanding chemical resistance
- high process reliability
- minimal operation and servicing costs

Applications

- rotary evaporator • parallel evaporator • vacuum concentrators
- local area vacuum networks for laboratories • drying chambers