



Vacuubrand MD-4CNT+AK+EK

Technical Specifications

		MD 4C NT +AK+EK
Number of heads / stages		4 / 3
Max. pumping speed at 50/60 Hz	m ³ /h	3.4 / 3.8
Max. pumping speed at 50/60 Hz	cfm	2.0 / 2.2
Ultimate vacuum (abs.)	mbar/torr	1.5 / 1.1
Ultim. vac. (abs.) with gas ballast	mbar/torr	3 / 2.2
Ambient temperature range (operation)	°C	10 - 40
Ambient temperature range (storage)	°C	-10 - 60
Max. back pressure (abs.)	bar	1.1
Inlet connection		Hose nozzle DN 8-10 mm
Outlet connection		Hose nozzle DN 8-10 mm
Coolant connection		2 x hose nozzle DN 6-8 mm
Rated motor power	kW	0.25
Rated motor speed at 50/60 Hz	min-1	1500/1800
Protection class		IP 40
Dimensions (L x W x H)	mm	326 x 243 x 402
Weight	kg	17.3
Noise level at 50 Hz, typ.	dBA	45
NRTL certification		Canada and the USA
ATEX conformity (only 230V)		II 3/- G IIC T3 X Internal Atm. only
Items supplied		Pumping unit completely mounted, ready for use, with manual.
Accessories		Rubber vacuum tubing DN 8 mm (20686001) Upgrade kit manometer with valve (20699906)



PROVAC

SALES

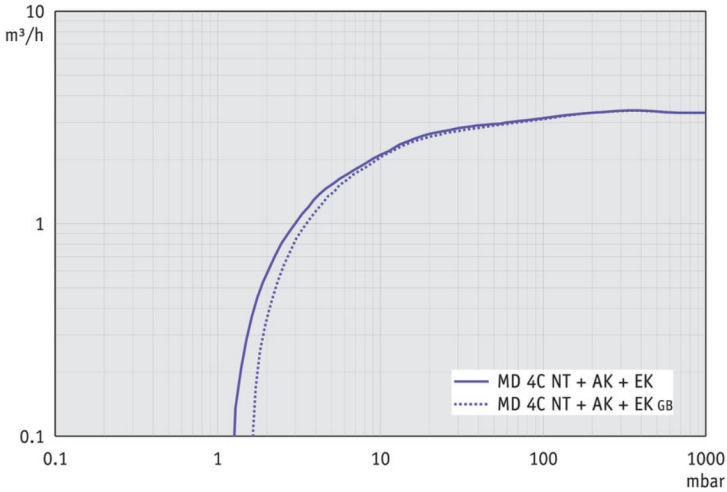
PHONE: 831-462-8900

FAX: 831-462-3536

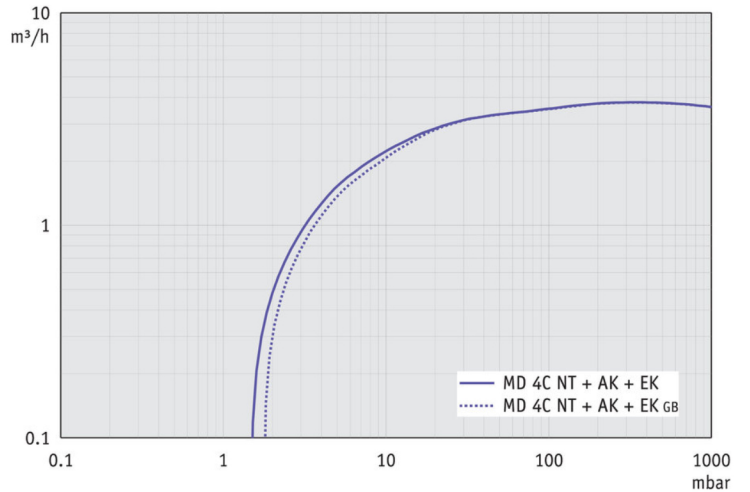
WWW.PROVAC.COM

Vacuubrand MD-4CNT+AK+EK Pumping Curves

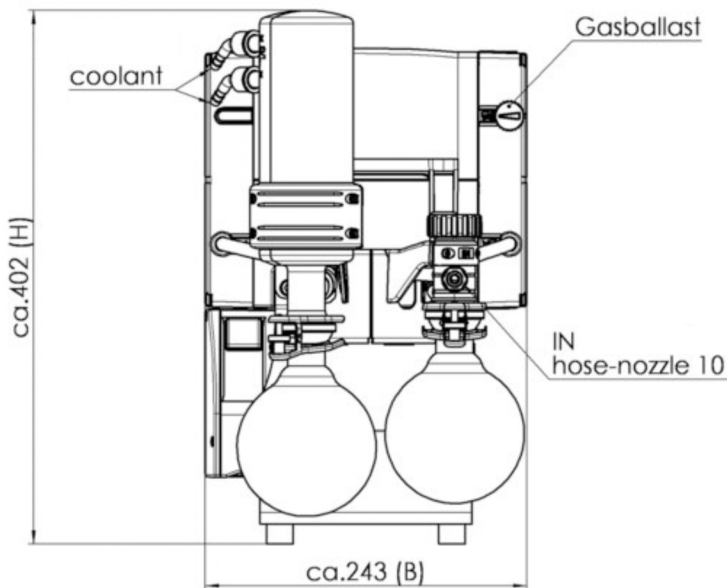
50Hz



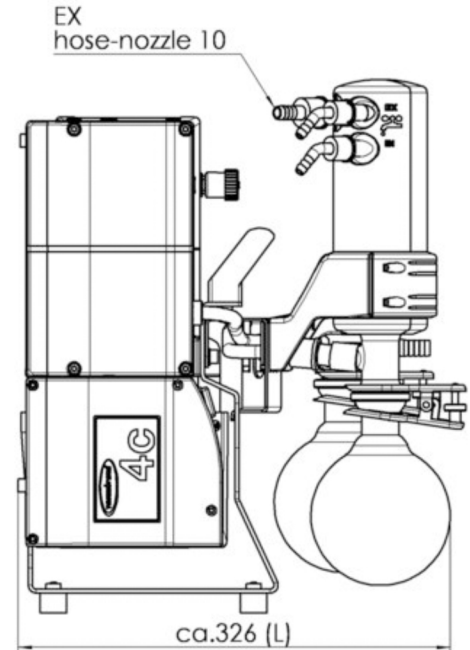
60Hz



Dimensions



all dimensions (mm)
weight: 17,3 kg



VACUUBRAND MD 4C NT AK+EK
Version 2009/03/16



PROVAC

S A L E S

PHONE: 831-462-8900

FAX: 831-462-3536

WWW.PROVAC.COM

Vacuubrand MD-4CNT+AK+EK Features & Benefits

- well proven for high vacuum requirements with high boiling solvents
- separator at the inlet retains particles & liquid droplets
- waste vapor condenser at outlet is highly efficient & compact
- whisper-quiet & very low vibration
- outstanding chemical resistance & superior vapor tolerance
- excellent ultimate vacuum, even with gas ballast
- exceptionally high performance, even at low vacuum
- excellent environmental friendliness via efficient solvent recovery

Applications

- rotary evaporators • vacuum concentrators • drying chambers • local area vacuum networks for laboratories

