



Vacuubrand MD-4CNT

Technical Specifications

Technical data	Unit	MD 4C NT
Number of heads / stages		4 / 3
Max. pumping speed at 50/60 Hz	m ³ /h	3.4 / 3.8
Max. pumping speed at 50/60 Hz	cfm	2.0 / 2.2
Ultimate vacuum (abs.)	mbar/torr	1.5 / 1.1
Ultim. vac. (abs.) with gas ballast	mbar/torr	3 / 2.2
Ambient temperature range (operation)	°C	10 - 40
Ambient temperature range (storage)	°C	-10 - 60
Max. back pressure (abs.)	bar	1.1
Inlet connection		Hose nozzle DN 8-10 mm
Outlet connection		Hose nozzle DN 8-10 mm
Rated motor power	kW	0.25
Rated motor speed at 50/60 Hz	min ⁻¹	1500/1800
Degree of protection		IP 40
Dimensions (L x W x H)	mm	325 x 243 x 198
Weight	kg	14.3
Noise level at 50 Hz, typ.	dBA	45
NRTL certification		Canada and the USA
ATEX conformity (only 230V)		II 3/- G IIC T3 X Internal Atm. only
Items supplied		Pump completely mounted, ready for use, with manual.
Accessories		Rubber vacuum tubing DN 8 mm (20686001)



PROVAC

SALES

PHONE: 831-462-8900

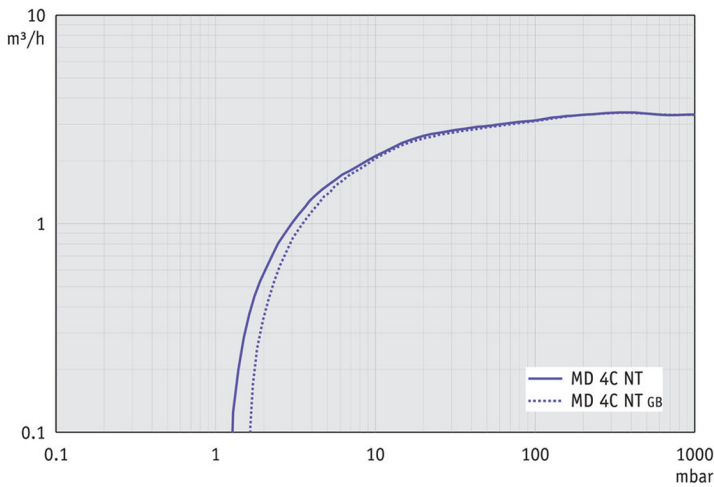
FAX: 831-462-3536

WWW.PROVAC.COM

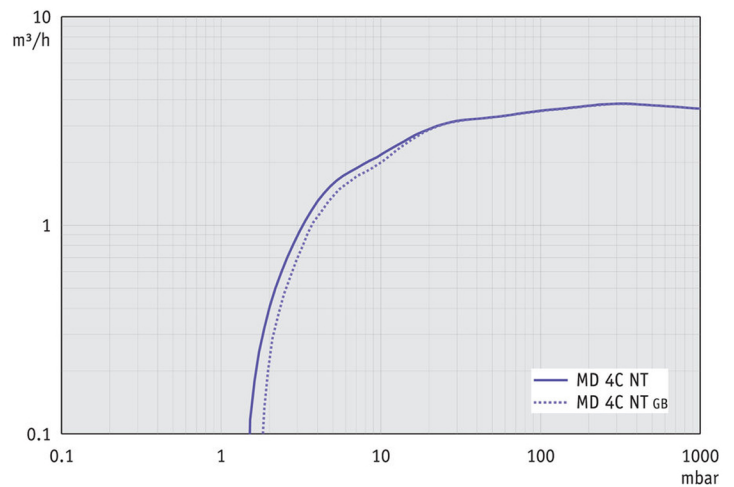
Vacuubrand MD-4CNT

Pumping Curves

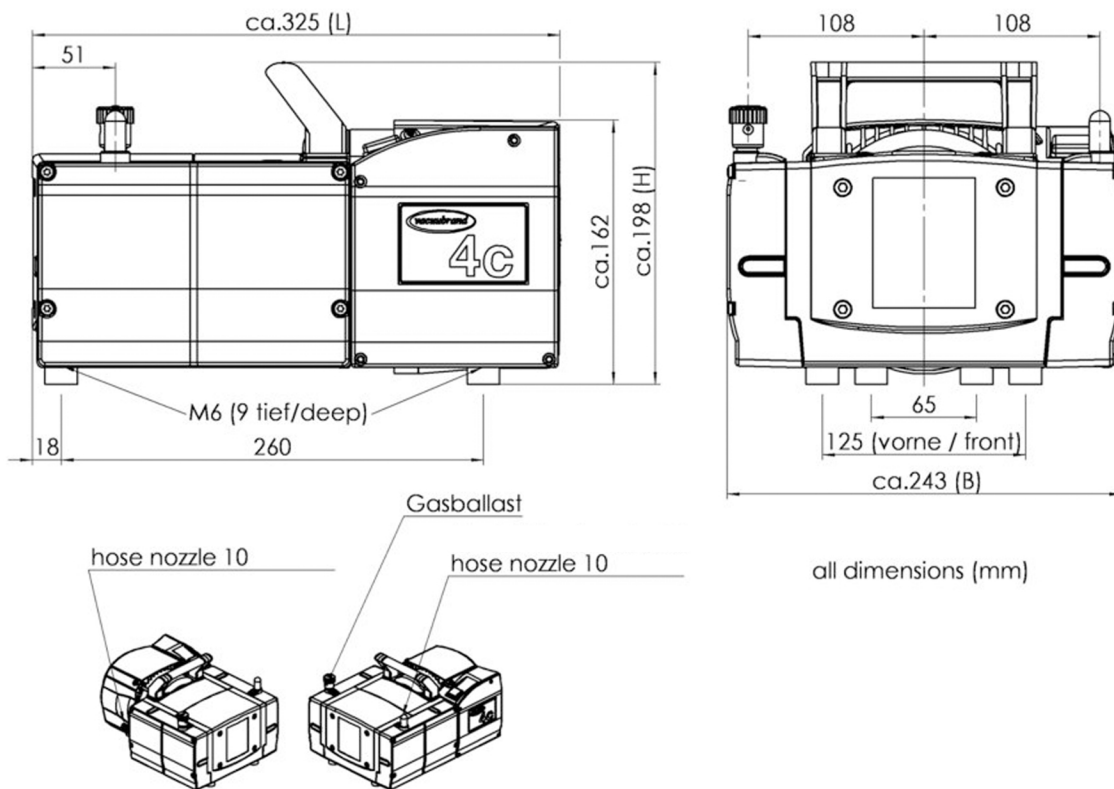
50 Hz



60 Hz



Dimensions





PROVAC

SALES

PHONE: 831-462-8900

FAX: 831-462-3536

WWW.PROVAC.COM

Vacuubrand MD-4CNT

Features & Benefits

- three-stage chemistry-design
- continuous, oil-free pumping
- high pumping speed / very low ultimate vacuum
- superior vapor tolerance
- outstanding chemical resistance
- whisper quiet & very low vibration
- maintenance-free drive system

Applications

- rotary evaporator • parallel evaporator • vacuum concentrators
- local area vacuum networks for laboratories • drying chambers

