



Vacuubrand MD-1C

Technical Specifications

Technical data	Unit	MD 1C
Number of heads / stages		4 / 3
Max. pumping speed at 50/60 Hz	m ³ /h	1.3 / 1.5
Max. pumping speed at 50/60 Hz	cfm	0.8 / 0.9
Ultimate vacuum (abs.)	mbar/torr	2 / 1.5
Ultim. vac. (abs.) with gas ballast	mbar/torr	4 / 3
Ambient temperature range (operation)	°C	10 - 40
Ambient temperature range (storage)	°C	-10 - 60
Max. back pressure (abs.)	bar	1.1
Inlet connection		Hose nozzle DN 8-10 mm
Outlet connection		Hose nozzle DN 8 mm
Rated motor power	kW	0.08
Rated motor speed at 50/60 Hz	min ⁻¹	1500/1800
Degree of protection		IP 42
Dimensions (L x W x H)	mm	316 x 143 x 175
Weight	kg	6.9
Noise level at 50 Hz, typ.	dBA	45
ATEX conformity (only 230V)		II 3/- G IIC T3 X Internal Atm. only
Items supplied		Pump completely mounted, ready for use, with manual.
Accessories		Rubber vacuum tubing DN 8 mm (20686001)



PROVAC

SALES

PHONE: 831-462-8900

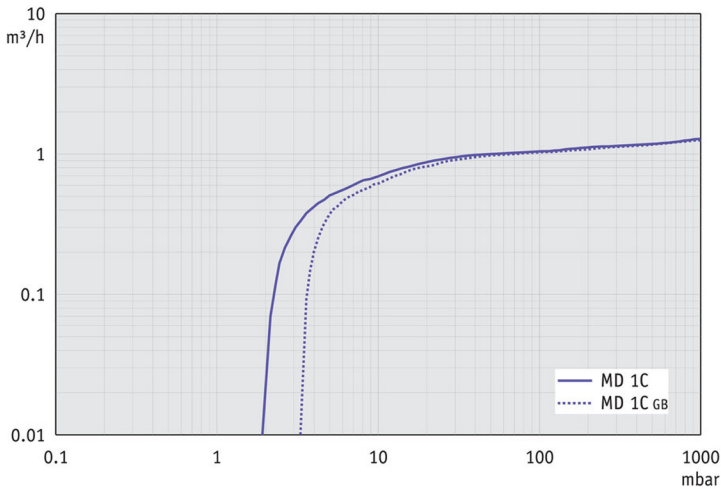
FAX: 831-462-3536

WWW.PROVAC.COM

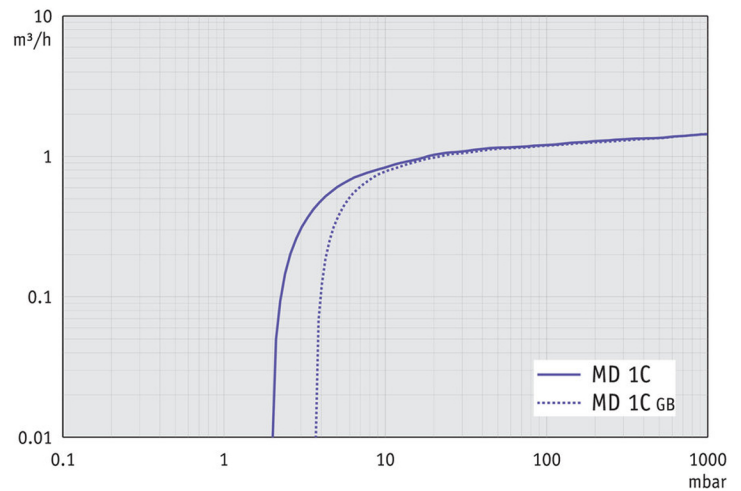
Vacuubrand MD-1C

Pumping Curves

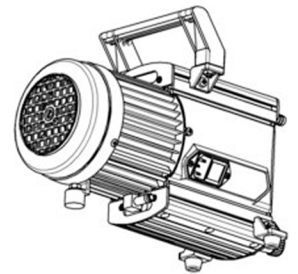
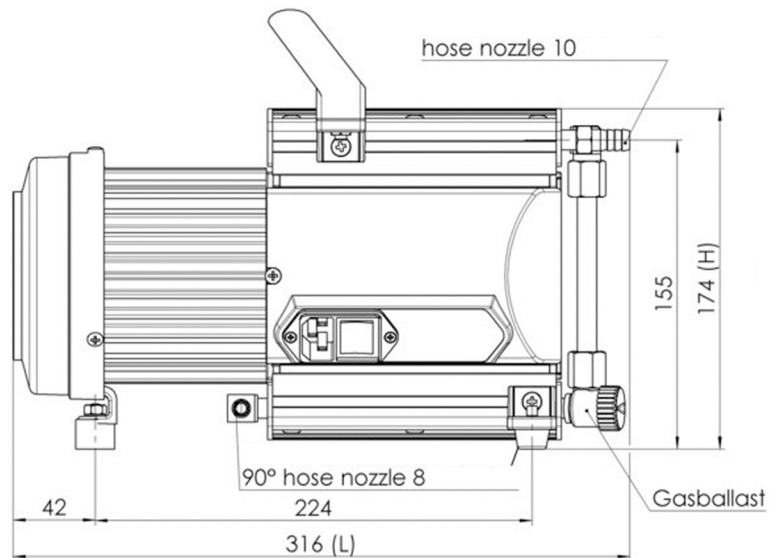
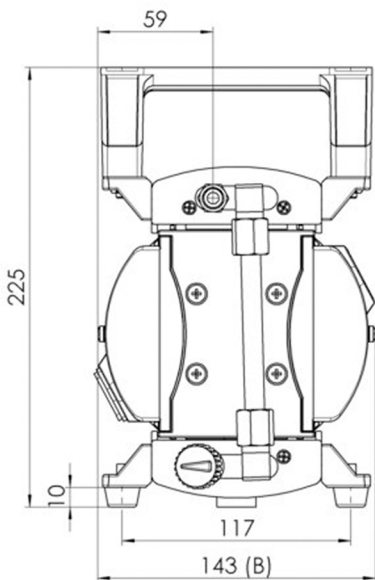
50 Hz



60 Hz



Dimensions



weight 6,9 kg
all dimensions (mm)



PROVAC

SALES

PHONE: 831-462-8900

FAX: 831-462-3536

WWW.PROVAC.COM

Vacuubrand MD-1C

Features & Benefits

- whisper quiet, low vibration
- continuous, oil-free pumping
- high pumping speed / very low ultimate vacuum
- superior vapor tolerance
- outstanding chemical resistance
- high process reliability
- minimal operation and servicing costs
- great for clean applications

Applications

- rotary evaporator • parallel evaporator • vacuum concentrators
- local area vacuum networks for laboratories • drying chambers
- backing pump for turbo drag pump • degassing • physics & analytics

