



Vacuubrand MD-12CNT Vario

Technical Specifications

		MD 12C NT VARIO
Vacuum controller		CVC 3000
Number of heads / stages		8 / 3
Max. pumping speed	m ³ /h	14.3
Max. pumping speed	cfm	8.4
Ultimate vacuum (abs.)	mbar/torr	1.5 / 1.1
Ultim. vac. (abs.) with gas ballast	mbar/torr	3 / 2.2
Ambient temperature range (operation)	°C	10 - 40
Ambient temperature range (storage)	°C	-10 - 60
Max. back pressure (abs.)	bar	1.1
Inlet connection		small flange KF DN 25
Outlet connection		Hose nozzle DN 15 mm
Rated motor power	kW	0.53
Motor speed range	min-1	30 - 2400
Rated speed	min-1	1500/1800
Protection class		IP 40
Dimensions (L x W x H)	mm	533 x 260 x 420
Weight	kg	28.1
Noise level at 50 Hz, typ.	dBA	47
ATEX conformity (only 230V)		II 3/- G IIC T3 X Internal Atm. only
Items supplied		Pumping unit completely mounted, ready for use, with manual.
Accessories		PTFE tubing KF DN 25 (1000 mm: 20686033) Inlet separator KF DN 25 (20699979) Centering and sealing ring KF DN 25 C Al/FEP (20635722) Emission condenser kit for NT pump models (20699948)



PROVAC

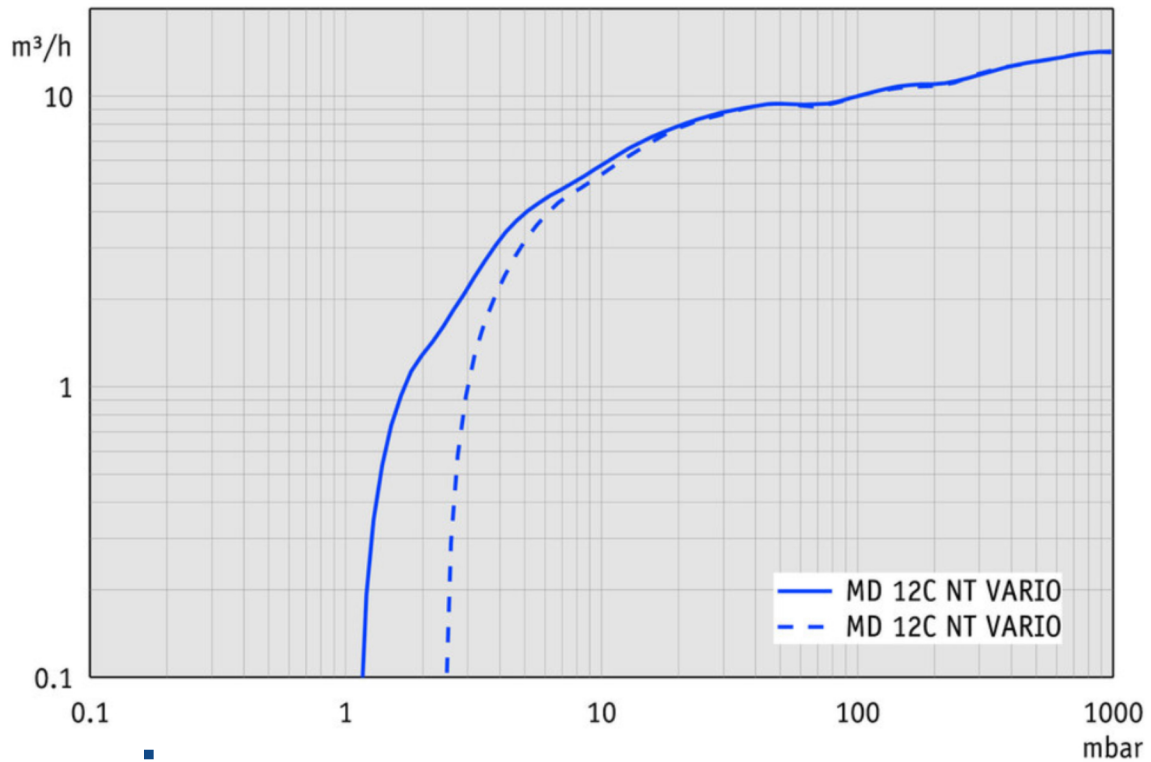
SALES

PHONE: 831-462-8900

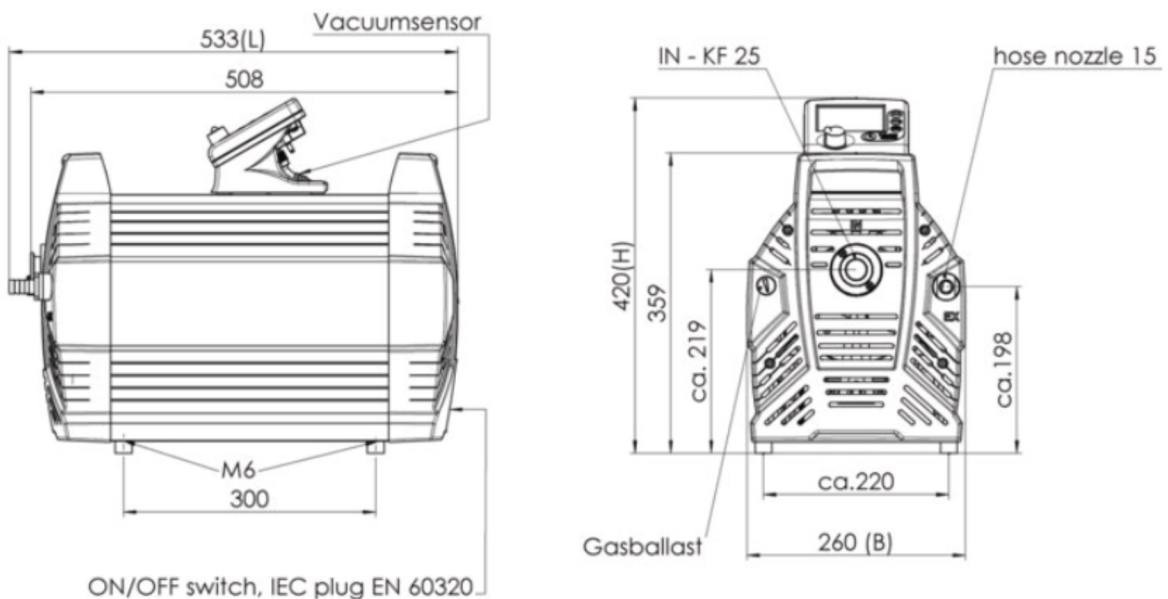
FAX: 831-462-3536

WWW.PROVAC.COM

Vacuubrand MD-12CNT Vario Pumping Curves



Dimensions



all dimensions (mm)

VACUUBRAND ME 16C NT Vario, MD 12C NT Vario, MV 10C NT Vario



PROVAC

SALES

PHONE: 831-462-8900

FAX: 831-462-3536

WWW.PROVAC.COM

Vacuubrand MD-12CNT Vario Features & Benefits

- very high pumping speed, even close to ultimate vacuum
- provides precise vacuum control by constantly adjusting motor speed
- exceptionally high chemical resistance
- short process times
- removable CVC 3000 controller
- minimum operational & servicing costs

Applications

- rotary evaporators • local area vacuum networks for laboratories
- oil-free vacuum for kilo labs

