



PROVAC

SALES

PHONE: 831-462-8900

FAX: 831-462-3536

WWW.PROVAC.COM

Airtech L305B Technical Specifications

	L 305B
Free Air Displacement [CFM]	212
Motor Capacity (HP)	12
Speed (RPM)	1725
Sound Level [dB (A)]	76
End Vacuum (Torr)	0.5
Weight with motor (lbs.)	415
Oil Quantity (Qts.)	7





PROVAC

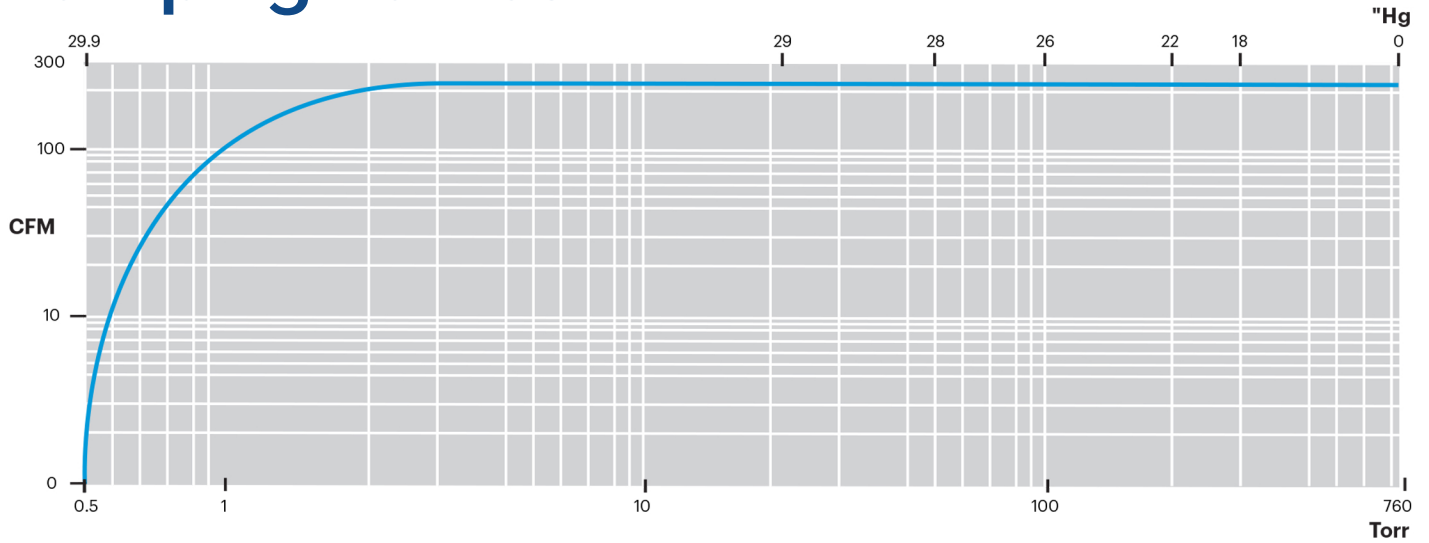
SALES

PHONE: 831-462-8900

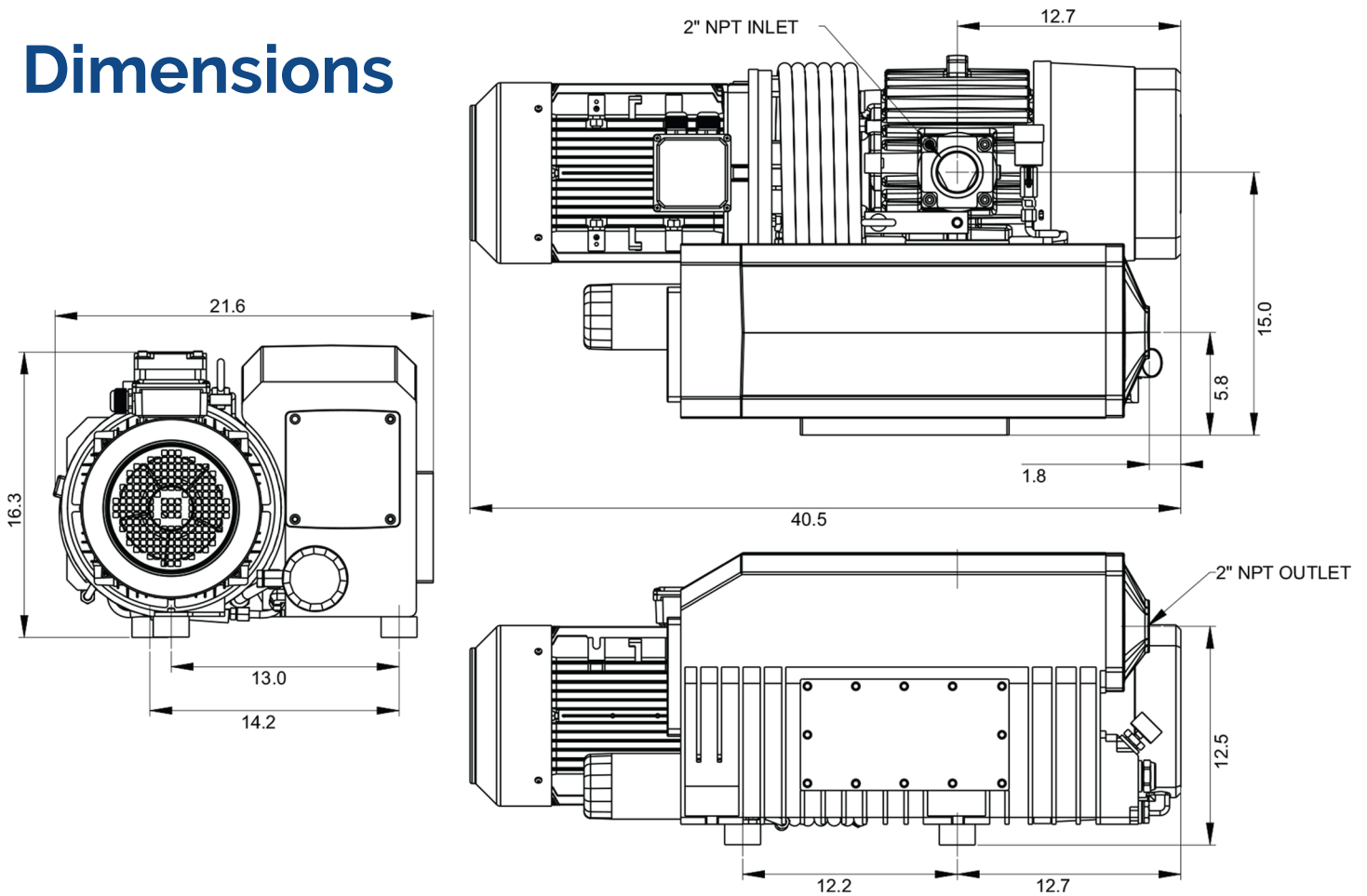
FAX: 831-462-3536

WWW.PROVAC.COM

Airtech L305B Pumping Curves



Dimensions





PROVAC

SALES

PHONE: 831-462-8900

FAX: 831-462-3536

WWW.PROVAC.COM

Airtech L305B

Features & Benefits

- composite vane material for long life
- oil level sight glass
- vibration isolators
- anti-suckback valve
- integral exhaust filters
- TEFC high-efficiency tri-voltage motor
- wire mesh inlet screen