



Airtech L250D, L250E

Technical Specifications

PERFORMANCE DATA

Model	L 250D	L 250E
Free Air Displacement [CFM]	180	180
Motor Capacity (HP)	10	10
Speed (RPM)	1725	1725
Sound Level [dB (A)]	74	74
End Vacuum (Torr)	0.5	0.5
Weight with motor (lbs.)	407	407
Oil Quantity (Qts.)	7	7

Features & Benefits

- TEFC high-efficiency tri-voltage motor
- composite vane material for long life
- integral exhaust filters
- exhaust pressure gauge
- wire mesh inlet screen
- anti-suck back valve
- oil level sight glass
- vibrator isolators
- spin-on oil filter





PROVAC

SALES

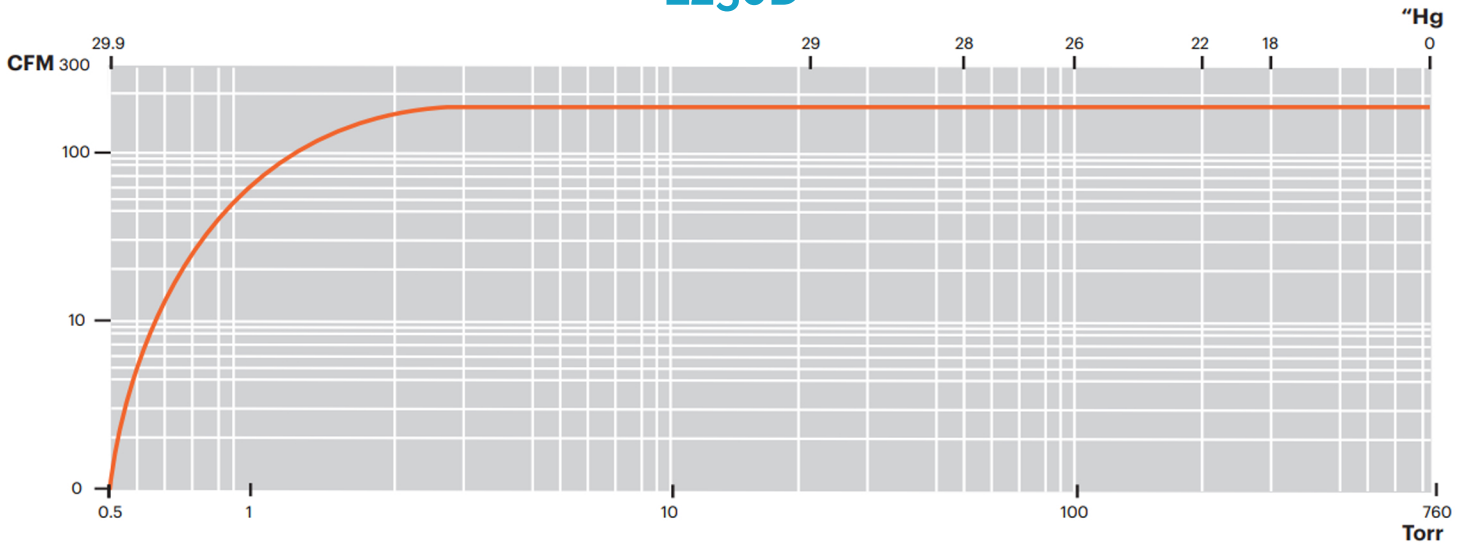
PHONE: 831-462-8900

FAX: 831-462-3536

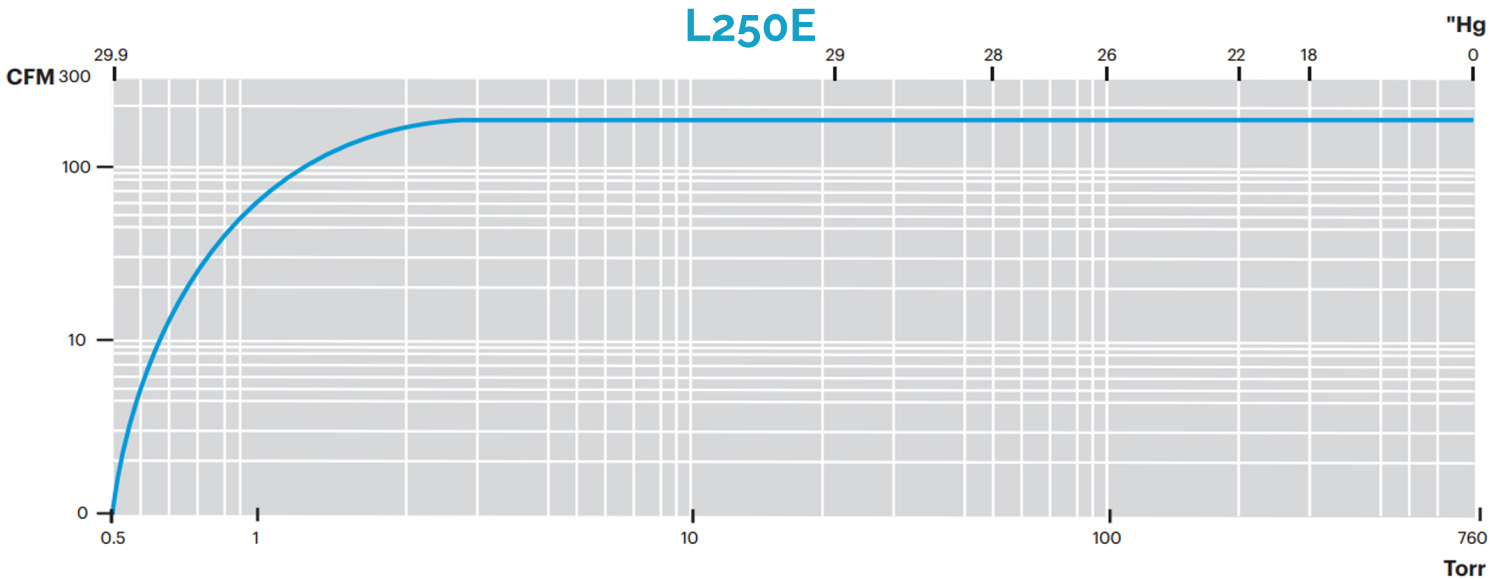
WWW.PROVAC.COM

Airtech L250D, L250E Pumping Curves

L250D



L250E





PROVAC

SALES

PHONE: 831-462-8900

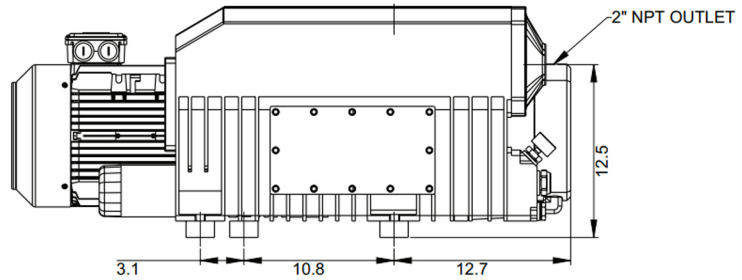
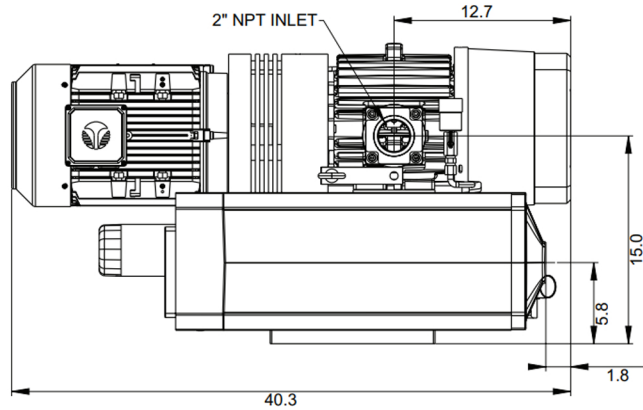
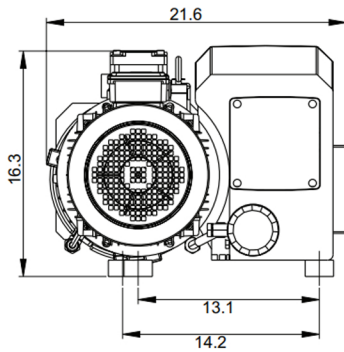
FAX: 831-462-3536

WWW.PROVAC.COM

Airtech L250D, L250E

Dimensions

L250D



L250E

