



PROVAC

SALES

PHONE: 831-462-8900

FAX: 831-462-3536

WWW.PROVAC.COM

Airtech L230B Technical Specifications

Model	230B
Free Air Displacement [CFM] 60 Hz	155
Motor Capacity [HP] 60 Hz	7.5
Speed [RPM] 60 Hz	1725
Sound Level [dB(A)] 60 Hz	74
End Vacuum [Torr]	0.5
Weight [Lbs] [with motor]	377
Oil quantity [Qts]	7





PROVAC

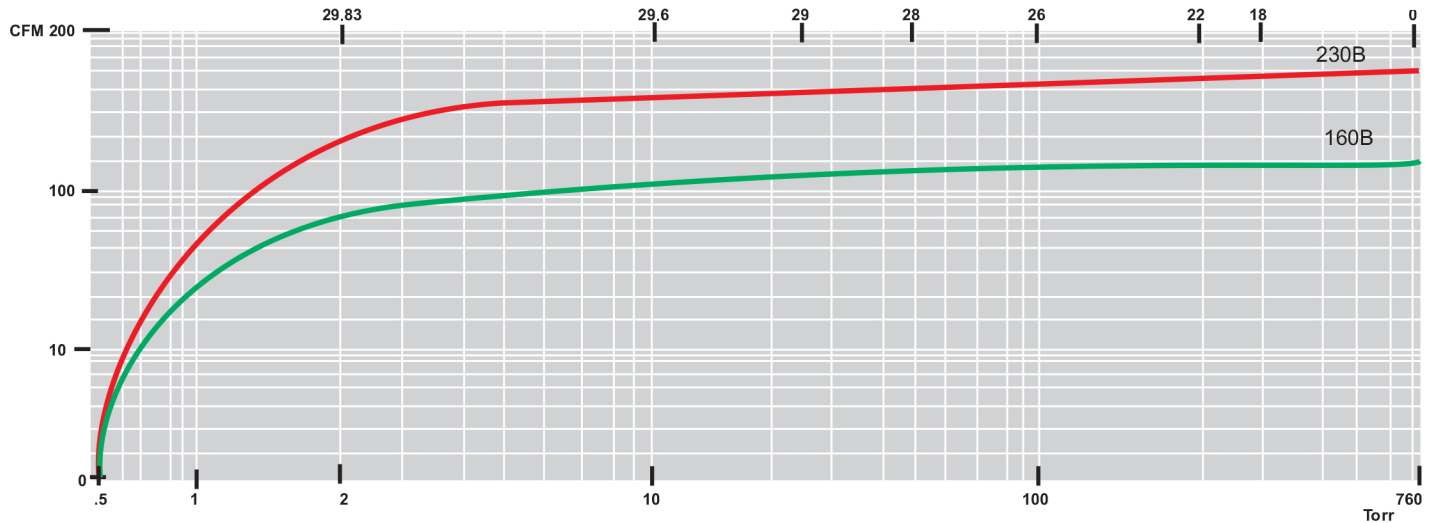
SALES

PHONE: 831-462-8900

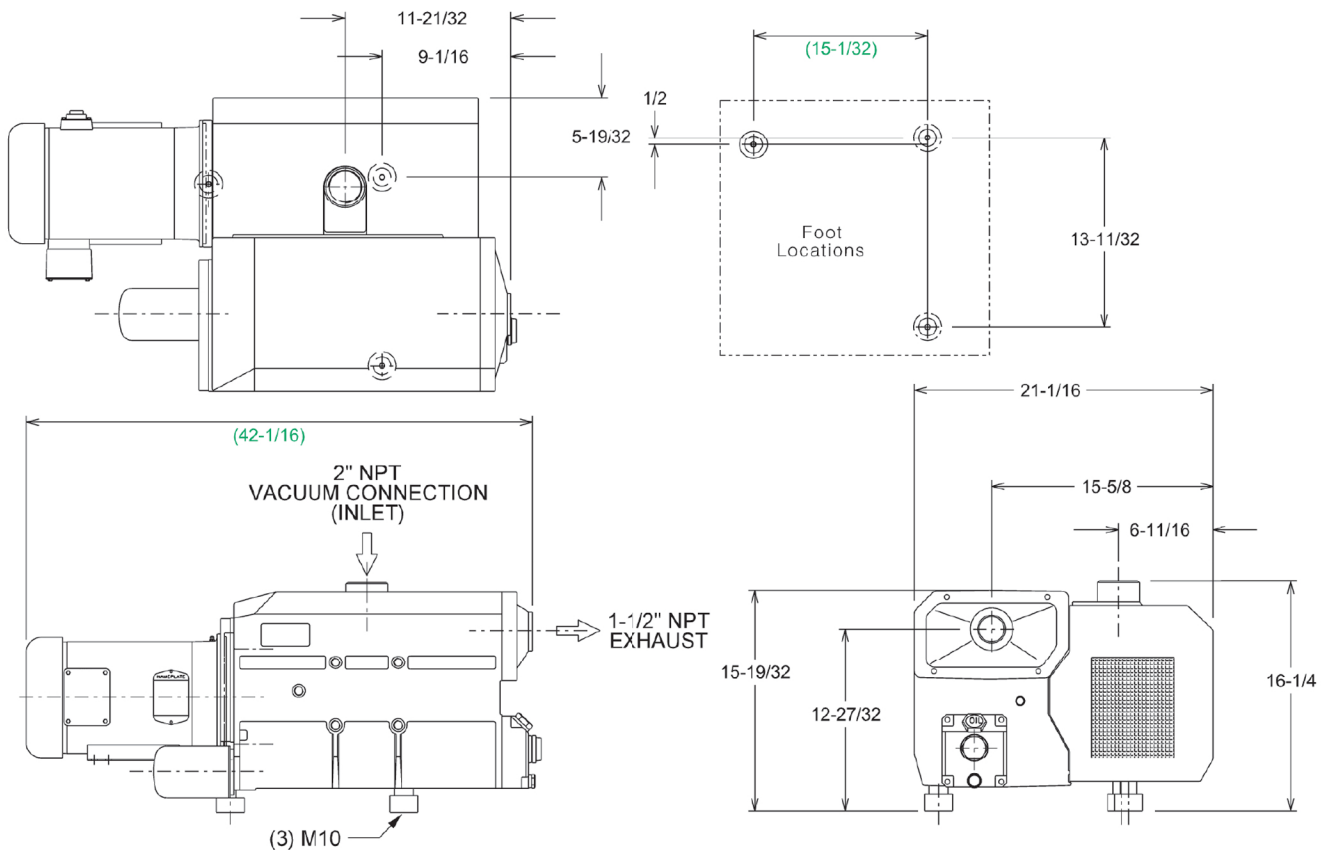
FAX: 831-462-3536

WWW.PROVAC.COM

Airtech L230B Pumping Curves



Dimensions





PROVAC

S A L E S

PHONE: 831-462-8900

FAX: 831-462-3536

WWW.PROVAC.COM

Airtech L230B

Features & Benefits

- single stage, air cooled, direct drive
- composite vane material for long life
- oil level sight glass
- vibration isolators
- anti-suckback valve
- integral exhaust filteres
- TEFC high efficiency tri-voltage motor
- exhaust pressure gauge
- wire mesh inlet screen
- spin-on oil filter