



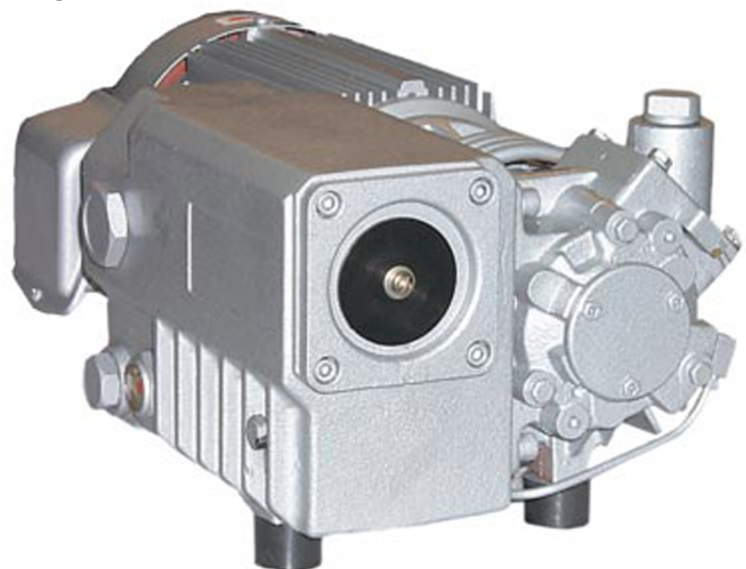
## Airtech L12, L21

### Technical Specifications

Specifications:		
Model	12	21
Free Air Displacement [CFM] 60 Hz	7	15
Motor Capacity [HP] 60 Hz	.75	1.0
Speed [RPM] 60 Hz	1725	3450
Sound Level [dB(A)] 60 Hz	59	62
End Vacuum [Torr]	2.0	2.0
Weight [Lbs] [with motor]	42	42
Oil quantity [Qts]	.5	.5

## Features & Benefits

- TEFC high-efficiency tri-voltage motor
- composite vane material for long life
- integral exhaust filters
- wire mesh inlet screen
- anti-suck back valve
- oil level sight glass
- vibraton isolators





# PROVAC

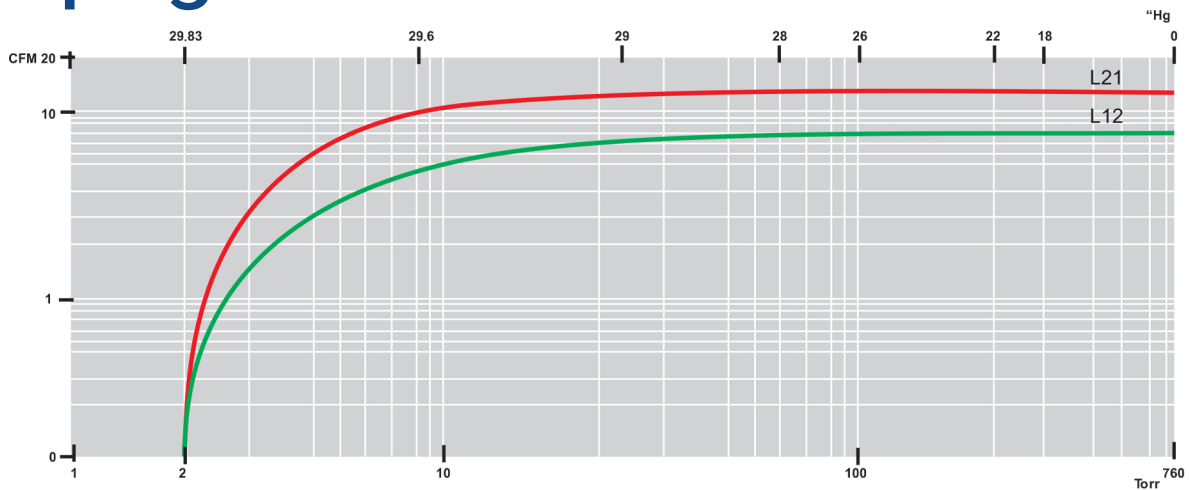
## SALES

PHONE: 831-462-8900

FAX: 831-462-3536

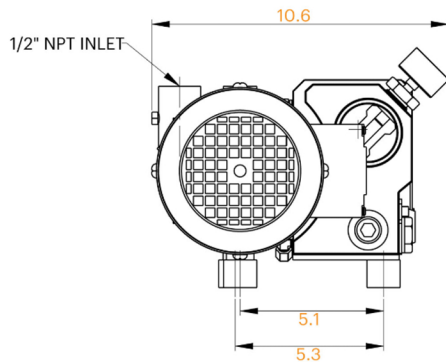
WWW.PROVAC.COM

## Airtech L12, L21 Pumping Curves

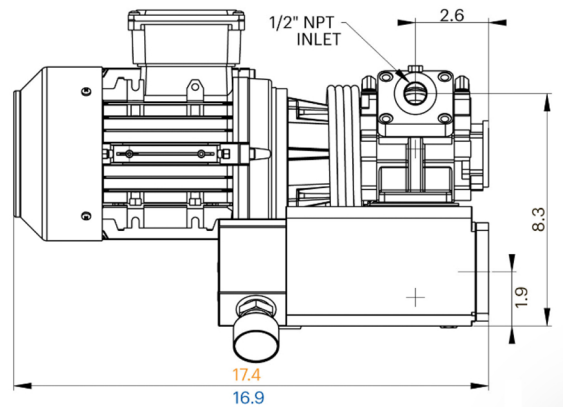


## Dimensions

### L12



### L12 L21



### L21

