

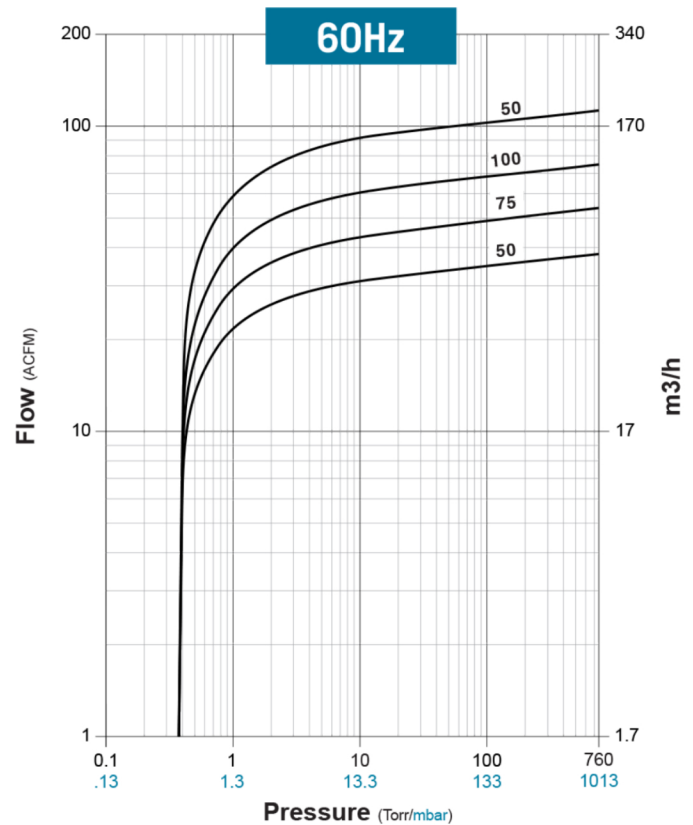
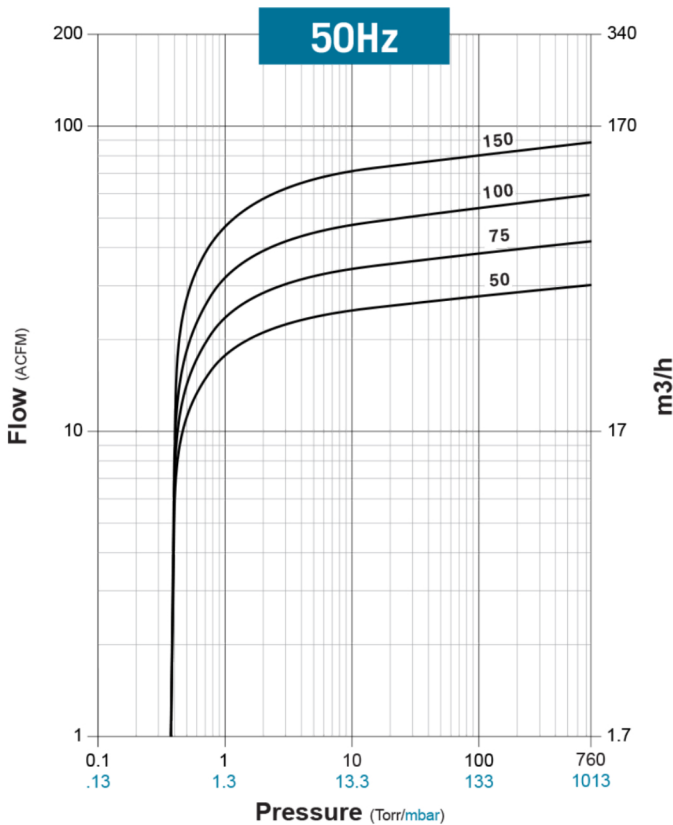


Kinney KVO 50-150

Technical Specifications

Model	Nominal Displacement	Ultimate Pressure <i>Without Gas Ballast</i>	Ultimate Pressure <i>With Gas Ballast</i>	Motor	Rotation Speed	Oil Capacity	Pump Weight <i>Includes Motor</i>	Noise Level Max
	CFM / m3/hr	Torr / mbar	Torr / mbar	60Hz HP / 50Hz kW	60Hz / 50Hz	Gal. / Liters	Lbs. / kg	dB(A)
KVO-50	50Hz 29.4 / 50 60Hz 35.3 / 60	0.075 / 0.1	0.375 / 0.5	2 / 1.5	1740 / 1450	.75 / 2.8	145 / 66	67
KVO-75	50Hz 41.2 / 70 60Hz 49.4 / 84	0.075 / 0.1	0.375 / 0.5	3 / 2.2	1740 / 1450	.75 / 2.8	191 / 87	68
KVO-100	50Hz 58.9 / 100 60Hz 70.6 / 120	0.075 / 0.1	0.375 / 0.5	5 / 3.7	1740 / 1450	.75 / 2.8	256 / 116	69
KVO-150	50Hz 88.3 / 150 60Hz 106 / 180	0.075 / 0.1	0.375 / 0.5	5 / 3.7	1740 / 1450	.875 / 3.3	254 / 115	71

Pumping Curves



NOTE: Curves represented with gas ballast open.



PROVAC

SALES

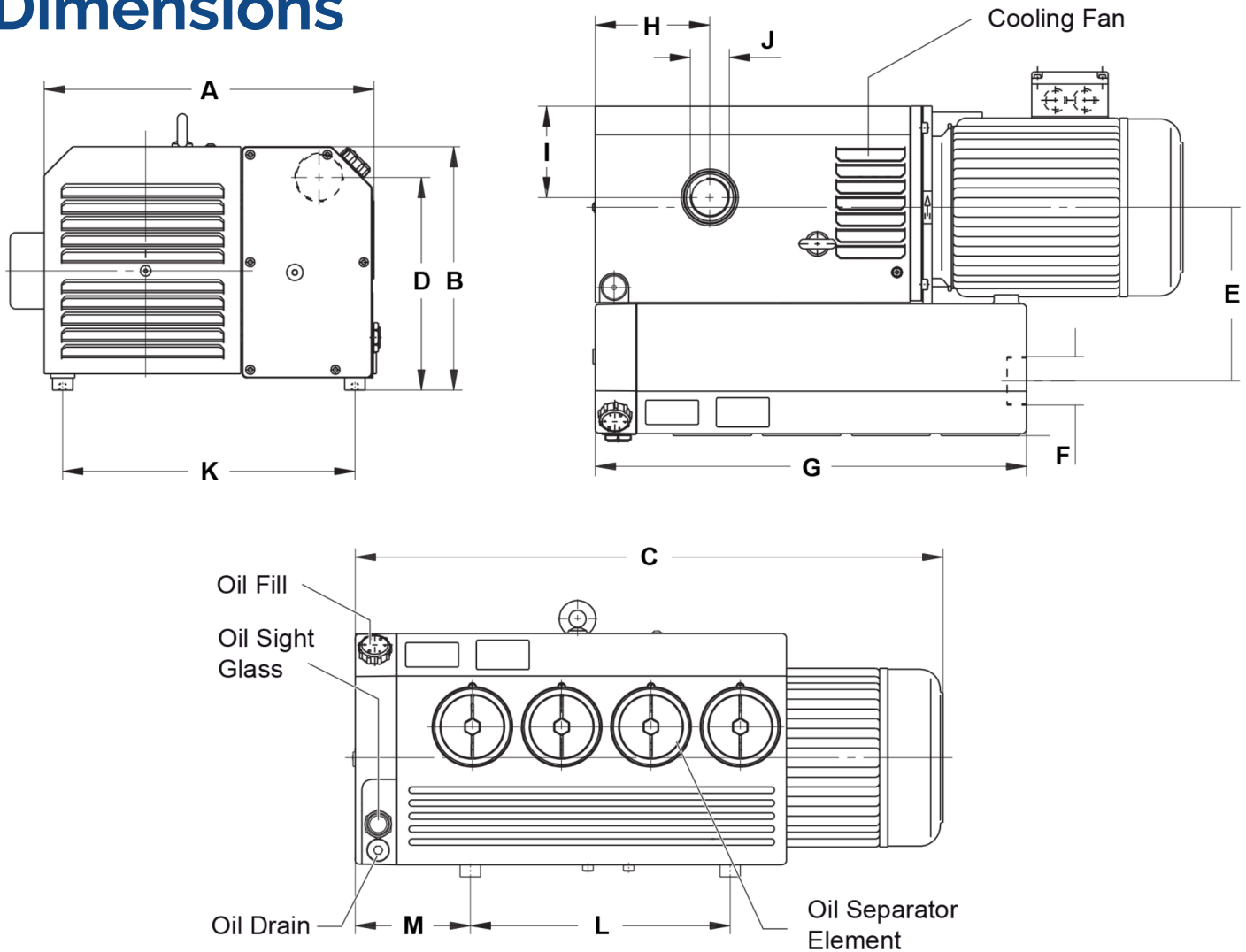
PHONE: 831-462-8900

FAX: 831-462-3536

WWW.PROVAC.COM

Kinney KVO 50-150

Dimensions



Model	A	B	C	D	E	F - EXHAUST	G	H	I	J - INLET	K	L	M
KVO-50 in. / mm	14.48 342	10.55 268	26.04 661	9.53 242	6.56 167	1 ¼" FBSP	21.08 536	5.83 148	3.56 91	1 ¼" FNPT	11.32 288	12.6 320	5.47 139
KVO-75 in. / mm	14.48 342	10.55 268	29.03 737	9.53 242	6.56 167	1 ¼" FBSP	21.08 536	5.83 148	3.56 91	1 ¼" FNPT	11.32 288	12.6 320	5.47 139
KVO-100 in. / mm	16.23 416	11.73 298	32.93 837	10.2 259	8.43 214	2" FBSP	22.2 564	6.91 176	4.43 113	1 ½" FNPT	14.17 360	12.6 320	6.90 176
KVO-150 in. / mm	16.23 416	11.73 298	32.93 837	10.2 259	8.43 214	2" FBSP	22.2 564	6.91 176	4.43 113	1 ½" FNPT	14.17 360	12.6 320	6.90 176



PROVAC

SALES

PHONE: 831-462-8900

FAX: 831-462-3536

WWW.PROVAC.COM

Kinney KVO 50-150 Features & Benefits

- durable, heavy-duty construction
- easy to service user-friendly layout, speeding up oil & filter changes
- advanced cylinder & cover design for quiet operation
- flanged motor, bearings on both sides of rotor
- fine mesh filter, vacuum non-return valve, gas ballast valve, oil/air heat exchanger, oil separator
- low power consumption for optimal performance
- continuous duty operation
- compact design, small footprint

Applications

- food & beverage • food processing • food packaging • medical
- pharmaceutical • research & development • plastics • freeze drying
- vacuum packaging • filling & sealing • central vacuum systems
- thermoforming • injection molding

